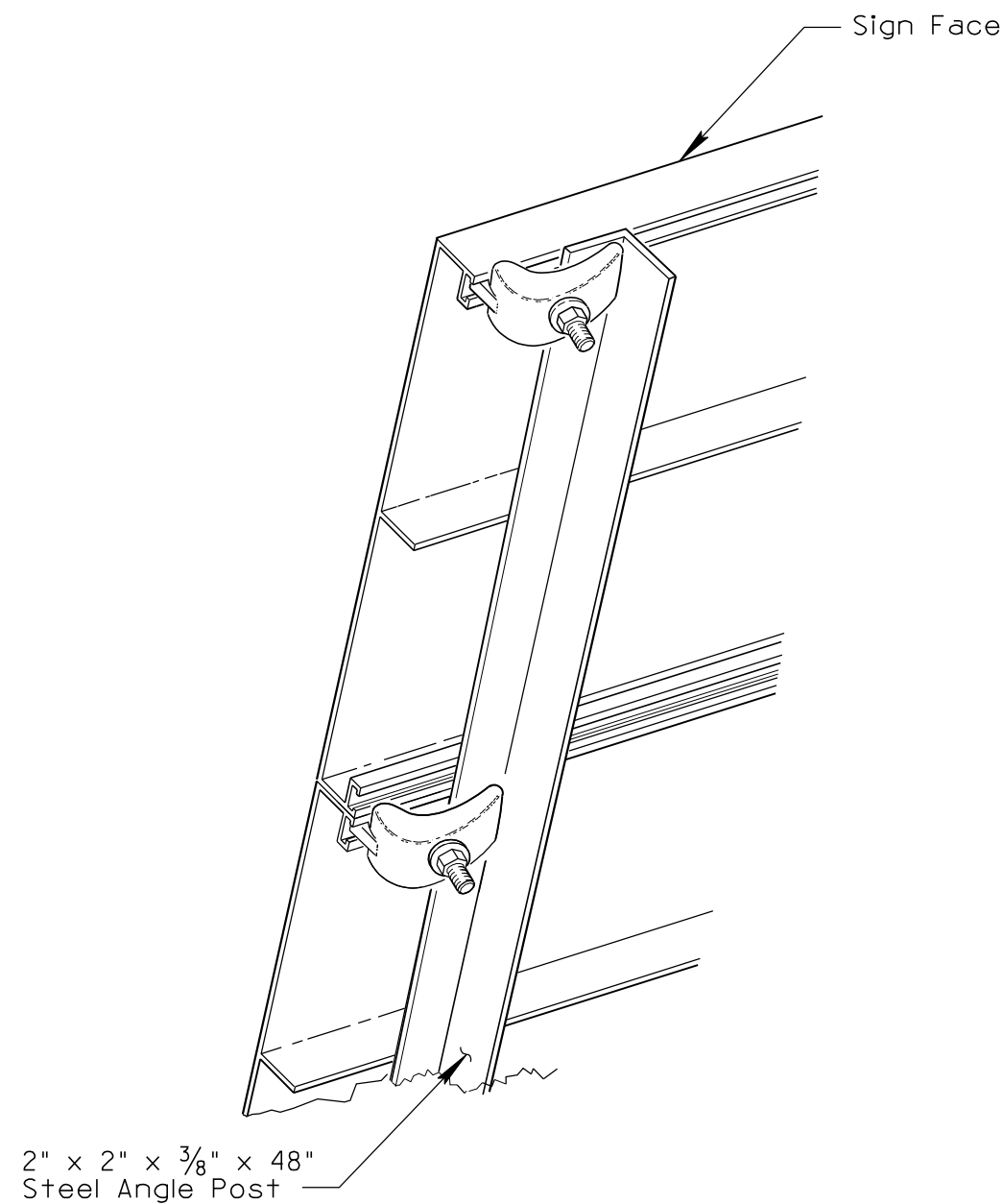
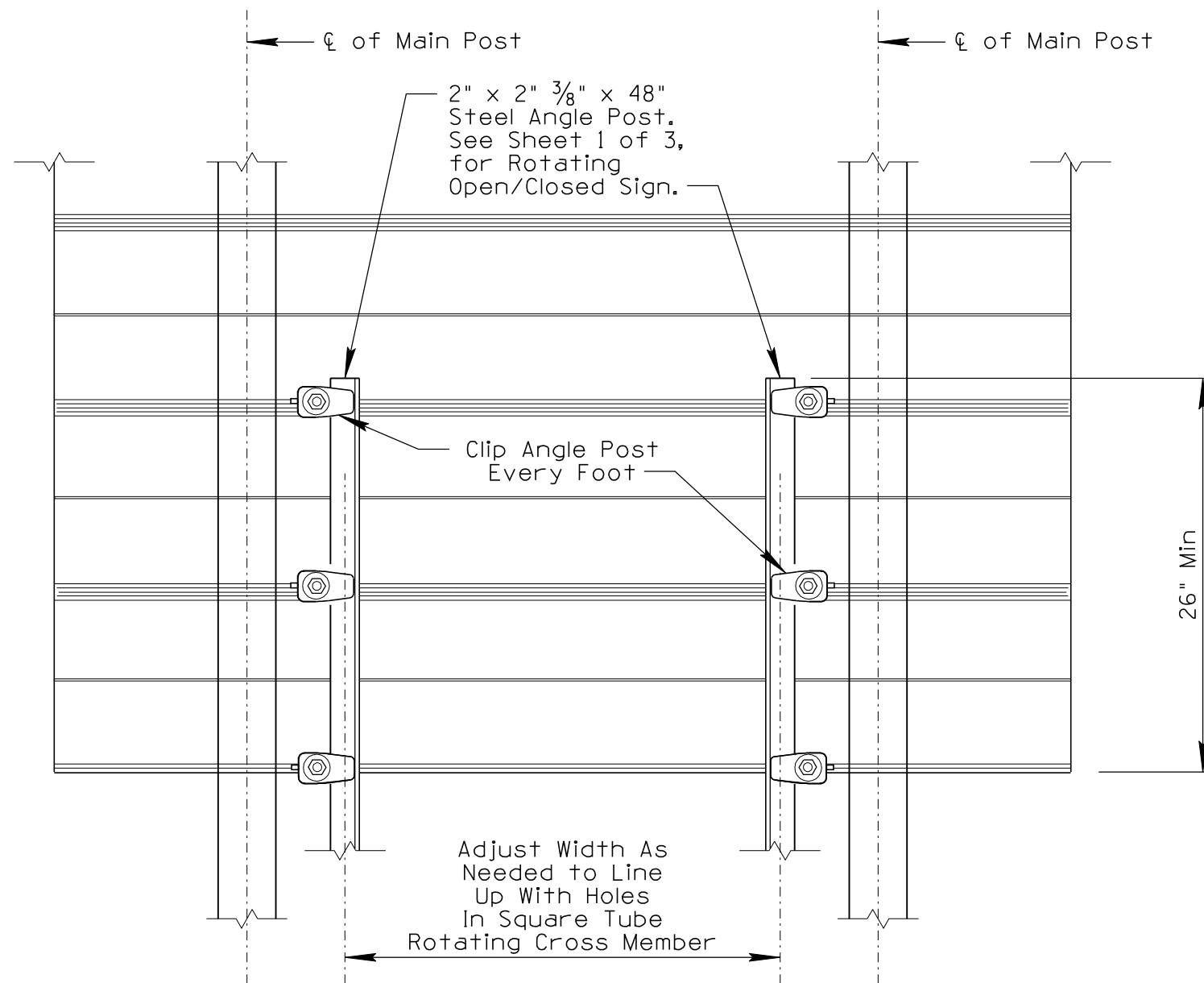


NO	DESCRIPTION OF REVISIONS	MADE BY	DATE	NO
1	NEW ISSUE	D.P. & L.L.	4/06	3
2	REVISED DRAWING, CHANGE TEXT CASE, UPDATED BORDER.	L. LOPEZ	6/14	4



NOT TO SCALE

DESIGN APPROVED	ARIZONA DEPARTMENT OF TRANSPORTATION INTERMODAL TRANSPORTATION DIVISION TRAFFIC SIGNING & MARKING STANDARD DRAWINGS	REVISION	6/14
SIGNATURES		DRAWING NO.	S-14
APPROVED FOR DISTRIBUTION	ROTATING OPEN/CLOSED SIGN MOUNTING DETAILS	SHEET NO.	3 of 3
ON FILE			