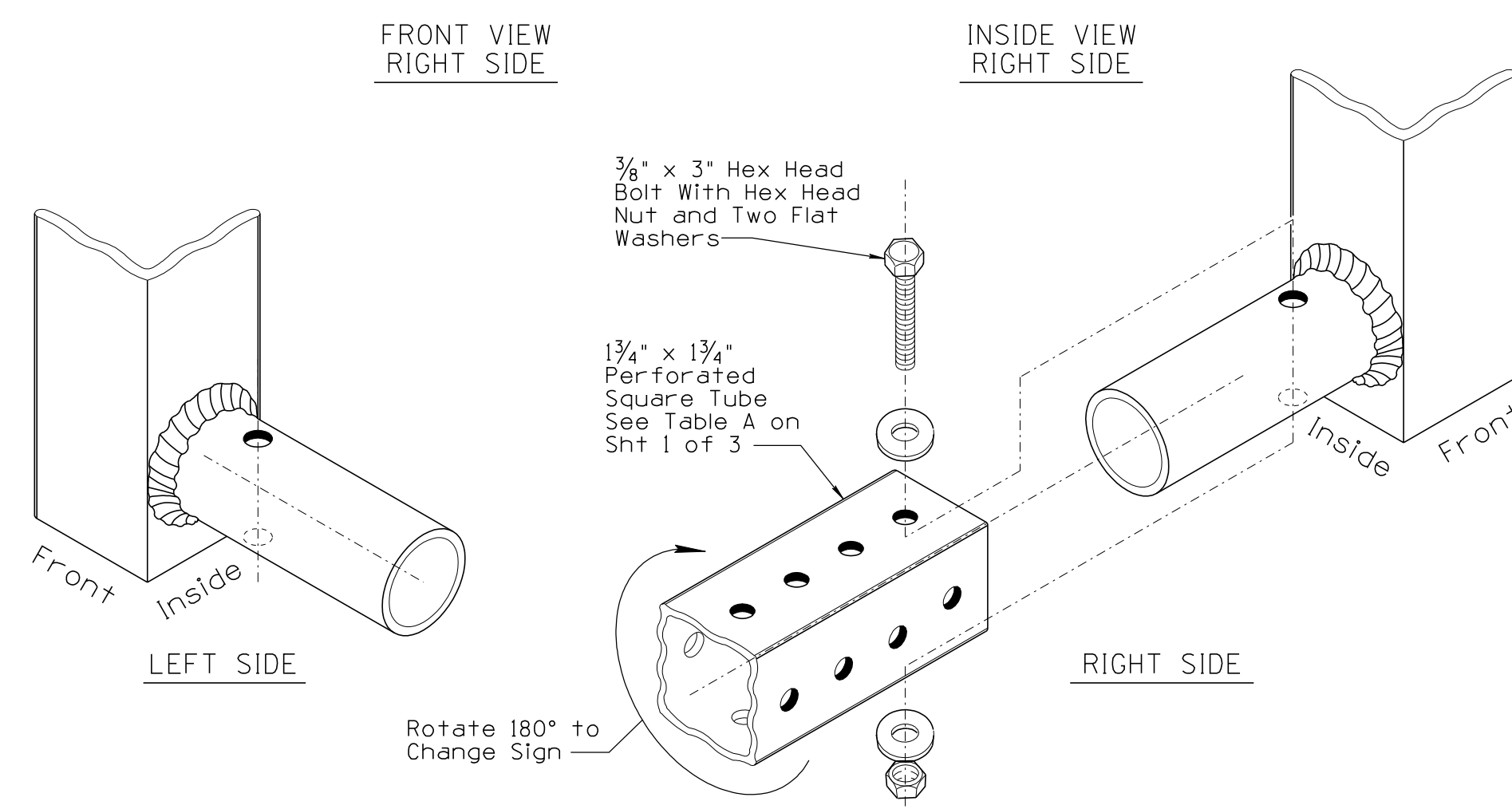
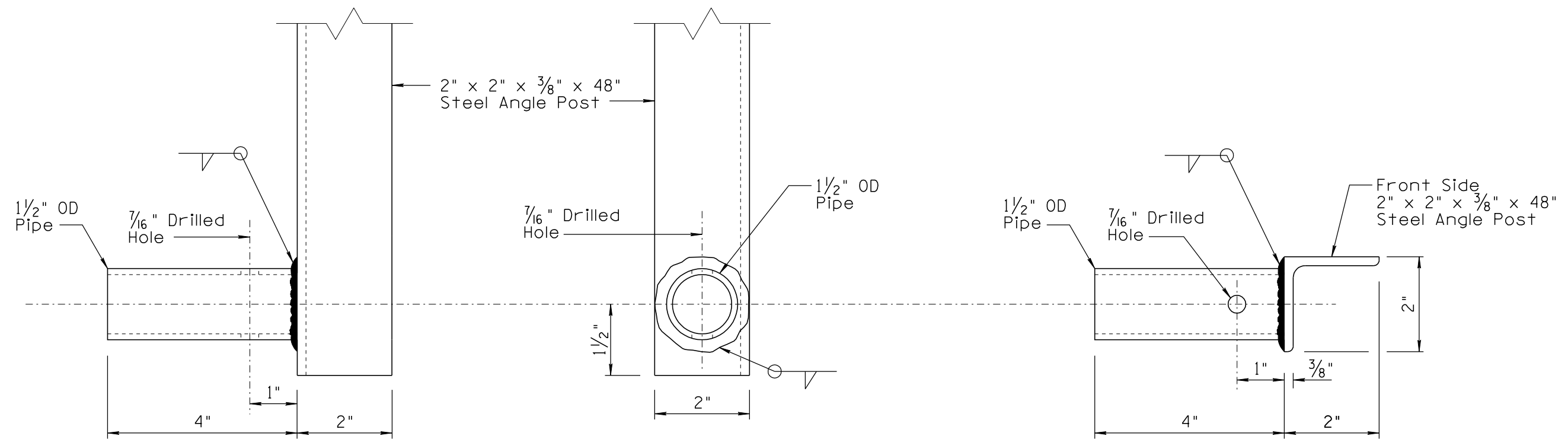


NO	DESCRIPTION OF REVISIONS	DATE	MADE BY
1	NEW ISSUE	4/06	DA/TV/LL
2	REVISED DRAWING, CHANGE TEXT CASE, UPDATE BORDER.	6/14	L. LOPEZ



NOT TO SCALE

DESIGN APPROVED	ARIZONA DEPARTMENT OF TRANSPORTATION INTERMODAL TRANSPORTATION DIVISION TRAFFIC SIGNING & MARKING STANDARD DRAWINGS	REVISION 6/14
<b>SIGNATURES</b>		DRAWING NO. S-14
APPROVED FOR DISTRIBUTION	ROTATING OPEN/CLOSED SIGN DETAILS	SHEET NO. 2 of 3
<b>ON FILE</b>		