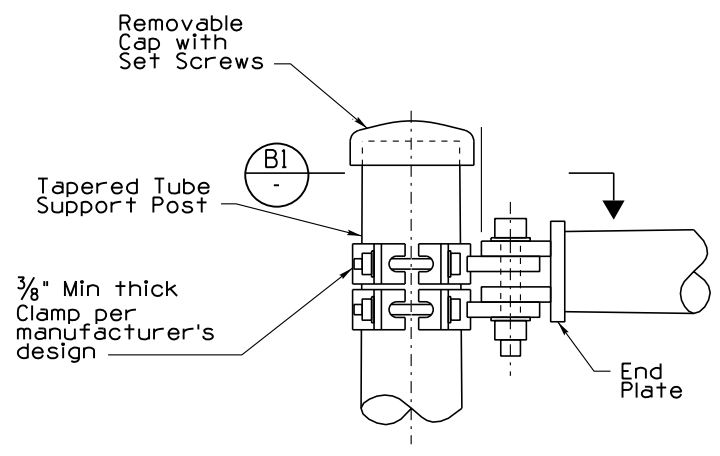
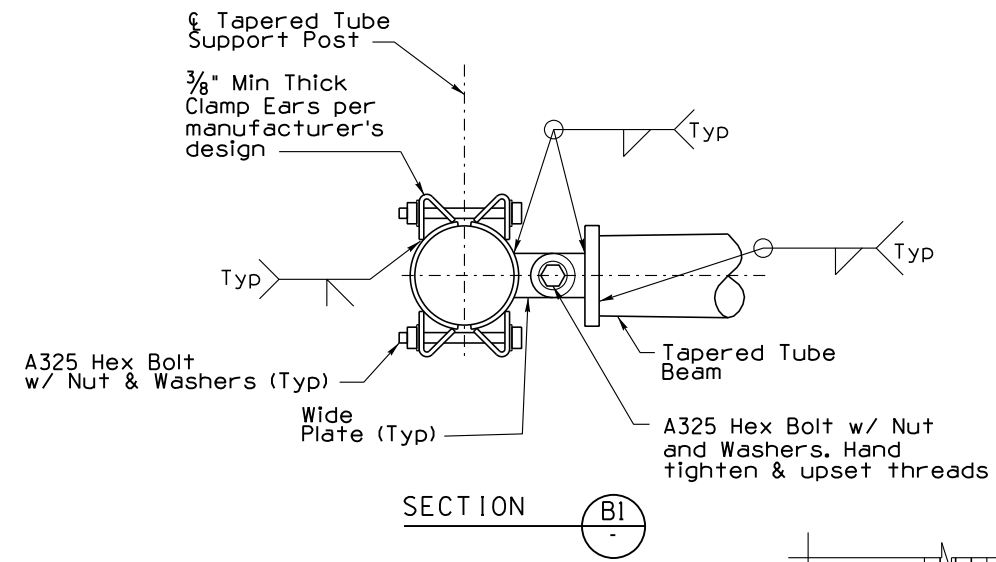


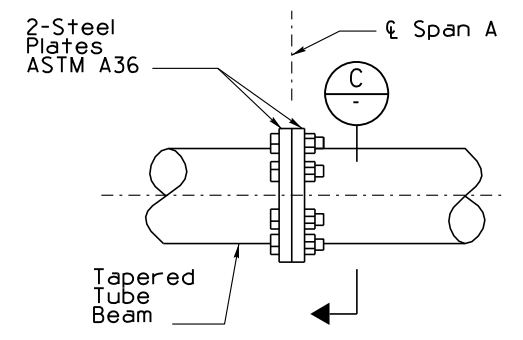
Note to Designer: The information presented in this Standard Drawing has been prepared in accordance with recognized engineering principles and is for general use. It should not be used for specific application without competent professional examination and verification of its suitability and applicability by a licensed professional engineer. Comments within the inner border line shall not be altered.



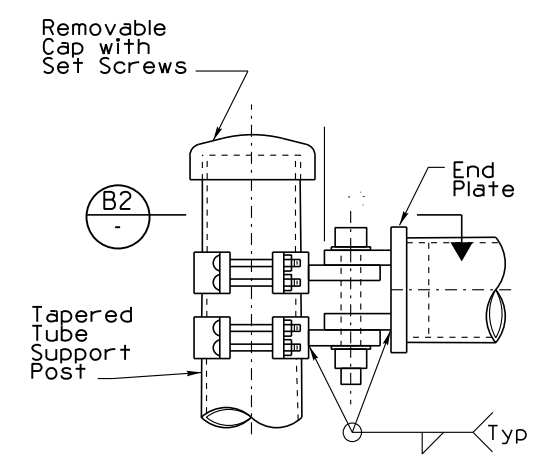
BEAM SUPPORT DETAIL - ALTERNATE 1



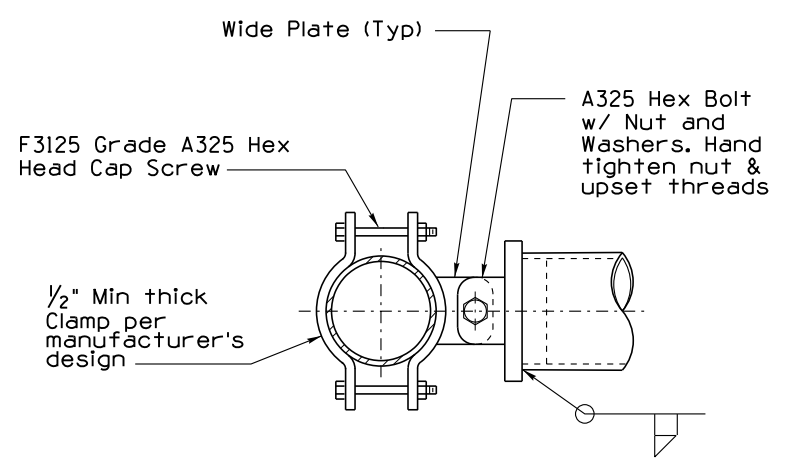
SECTION B1



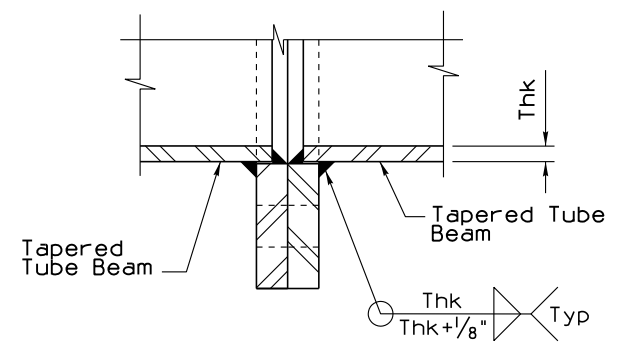
SPLICE PLATE DETAIL



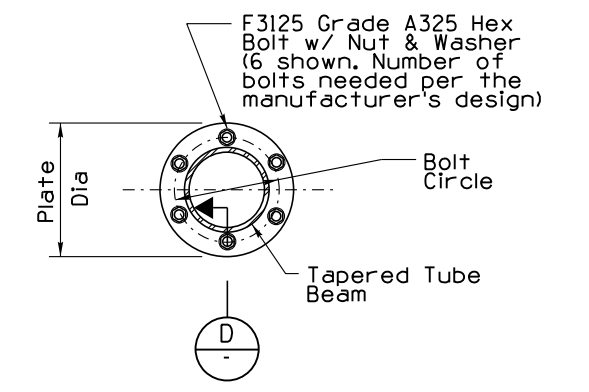
BEAM SUPPORT DETAIL - ALTERNATE 2



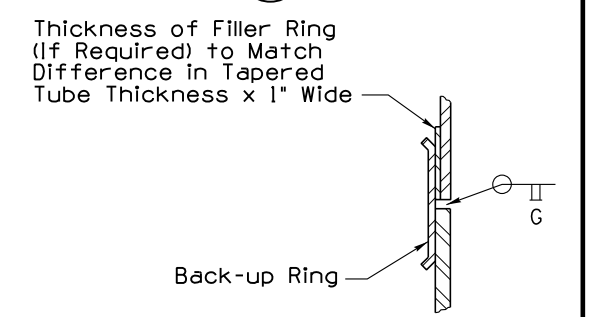
SECTION B2



SECTION D

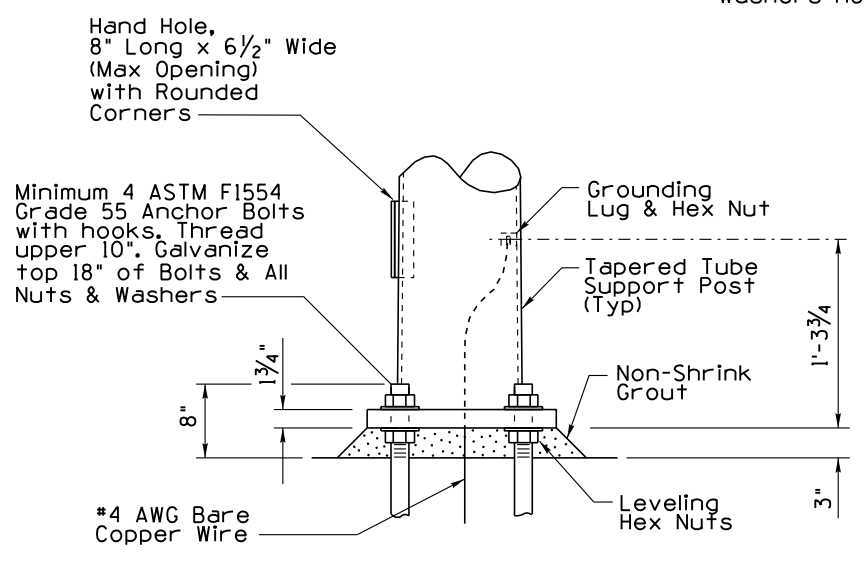


SECTION C

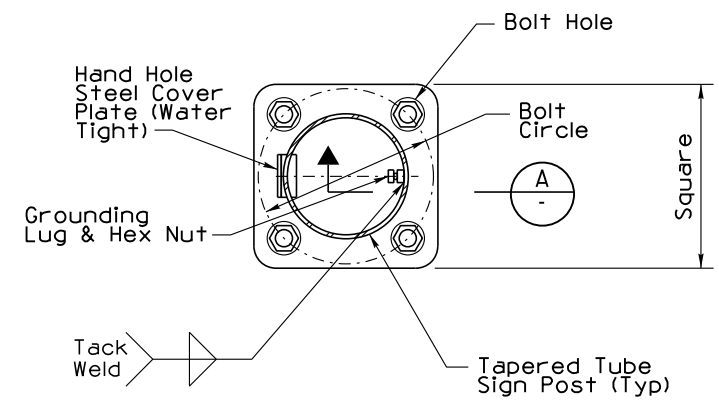


SPLICE DETAIL (OPTIONAL)

Notes:
 Connection Bolts, Anchor Bolts, Nuts, and Washers not shown



SUPPORT POST BASE PLATE DETAIL



SUPPORT POST BASE PLATE PLAN

STANDARDS ENGINEER A. ALZUBI	ARIZONA DEPARTMENT OF TRANSPORTATION INFRASTRUCTURE DELIVERY AND OPERATIONS DIVISION TRAFFIC SIGNING & MARKING STANDARD DRAWING
RECOMMENDED FOR APPROVAL GROUP MANAGER M. HANNA	
APPROVED	TAPERED TUBE SIGN STRUCTURE SINGLE BEAM POST AND BEAM DETAILS
STANDARDS COMMITTEE APPROVED FOR DISTRIBUTION	DRAWING NO. S-11 (2 of 2)

DATE 04/19
