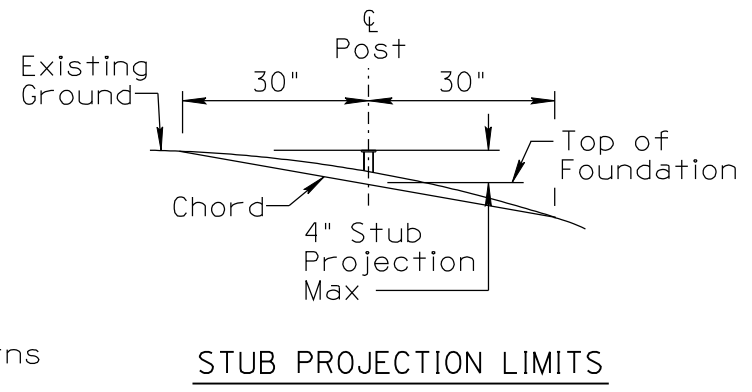
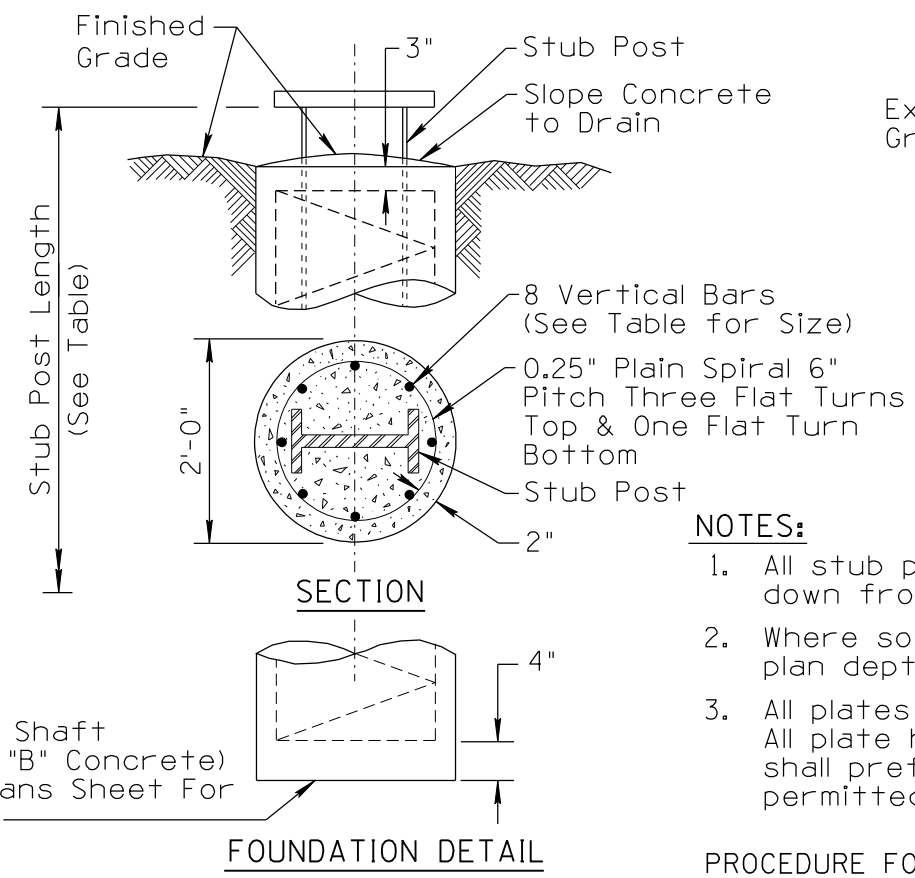
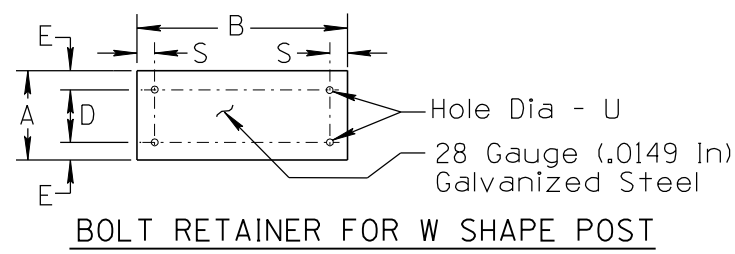
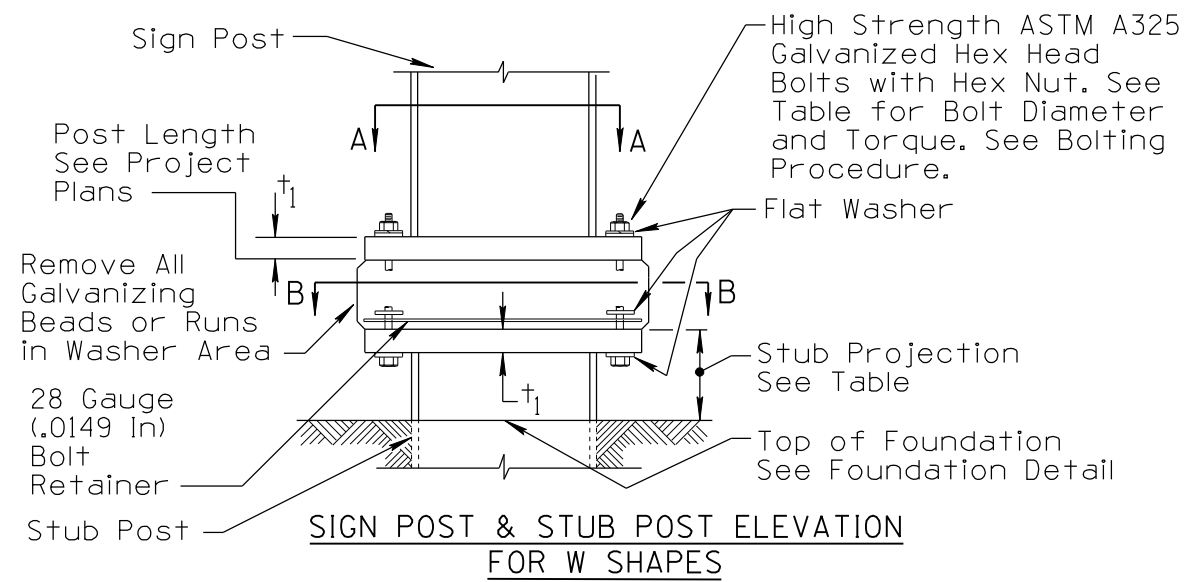


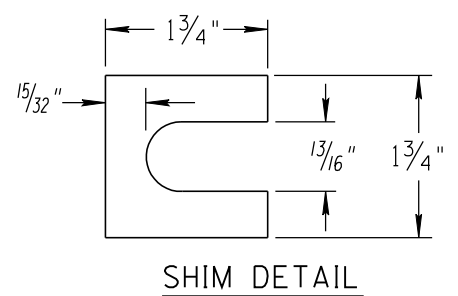
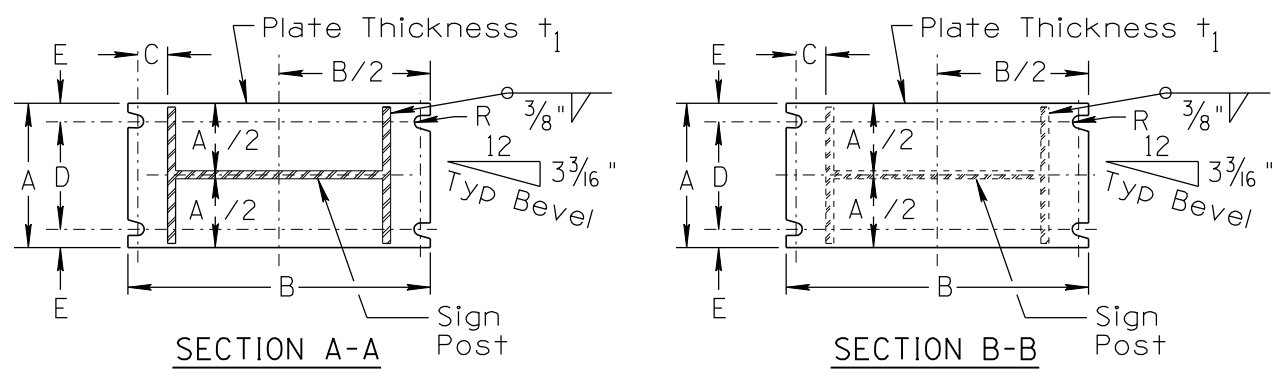
DATE 8/11 6/14
 MADE BY L. LOPEZ L. LOPEZ
 DESCRIPTION OF REVISIONS
 NO. 3 REVISOR: BASE CONNECTION DATA TABLE, AND RE-ISSUED. 4 REVISOR: REVISED DRAWING, CHANGE TEXT CASE.
 DATE 3/02 10/10
 MADE BY L. LOPEZ PARSONS BRINCKERHOFF
 NO. 5 RE-ISSUE 2 REVISOR: AND RE-ISSUED, ADDED NEW BORDER.



- NOTES:**
1. All stub posts shall be galvanized a minimum of 12" down from the base of plate.
 2. Where solid rock is encountered, foundation shall be plan depth or extended 2' minimum into the rock.
 3. All plates shall be ASTM A572 Grade 50. All plate holes shall be drilled. All plate cuts shall preferably be sawcuts; flame cutting will be permitted, provided all edges are ground smooth.

PROCEDURE FOR BOLTING & ASSEMBLY OF BASE CONNECTION

1. Assemble post to stub with bolts and with one flat washer on each bolt between plates.
2. Shim as required to plumb post. (4 shims per bolt maximum).
3. Tighten all bolts the maximum possible with 12" to 15" wrench to bed washers and shims and to clean bolt threads, then loosen each bolt in turn and retighten bolts in a systematic order to the prescribed torque (see table). Tighten the bolts in the base connection to the torque shown. DO NOT OVERTIGHTEN.
4. Do not deform threads.



Furnish 2 each 0.012"± thick and 2 each 0.032"± thick shims per post. Shims shall be fabricated from brass shim stock or strip conforming to the requirements of ASTM B36. Four shims per bolt maximum.

Sections shown are for installations on right shoulder and gore. For installation on left shoulder, plate slot bevels are reversed.

BASE CONNECTION DATA TABLE

POST SIZE	BOLT SIZE AND TORQUE	DIMENSIONS FOR POST SIZES								
		A	B	C	D	E	R	t ₁	S	U
W6x12	5/8" Dia x 3" Torque = 19 to 29 Foot-Lbs	5 3/4"	10"	1 1/4"	2 3/4"	1 1/2"	11/32"	3/4"	3/4"	11/16"
W8x18	5/8" Dia x 3" Torque = 19 to 29 Foot-Lbs	5 3/4"	12 1/8"	1 1/4"	2 3/4"	1 1/2"	11/32"	3/4"	3/4"	11/16"
W10x22	3/4" Dia x 3" Torque = 31 to 46 Foot-Lbs	6 1/2"	14 5/8"	1 3/8"	3 1/2"	1 1/2"	13/32"	1"	7/8"	13/16"

FOUNDATION DATA				APPROXIMATE QUANTITIES PER LINEAR FT		FOUNDATION DEPTH (SEE NOTE 2 ALSO)	
POST SIZE	STUB LENGTH	STUB PROJECTION	VERTICAL BAR SIZE	CONC. CU. YD.	STEEL LBS.	SLOPES ≤ 4:1 TWO,THREE OR FOUR POSTS	SLOPES > 4:1 TWO,THREE OR FOUR POSTS
W6x12	2'-0"	3"	#5	0.116	8.9	6'-0"	6'-0"
W8x18	2'-6"	3"	#7	0.116	16.3	7'-0"	7'-6"
W10x22	3'-0"	2 1/2"	#9	0.116	26.5	8'-0"	8'-6"

NOT TO SCALE

DESIGN APPROVED SIGNATURES	ARIZONA DEPARTMENT OF TRANSPORTATION INTERMODAL TRANSPORTATION DIVISION TRAFFIC SIGNING & MARKING STANDARD DRAWINGS	REVISION 6/14
APPROVED FOR DISTRIBUTION ON FILE	W SHAPE BREAKAWAY POST DETAILS	DRAWING NO. S-5
		SHEET NO. 1 OF 1