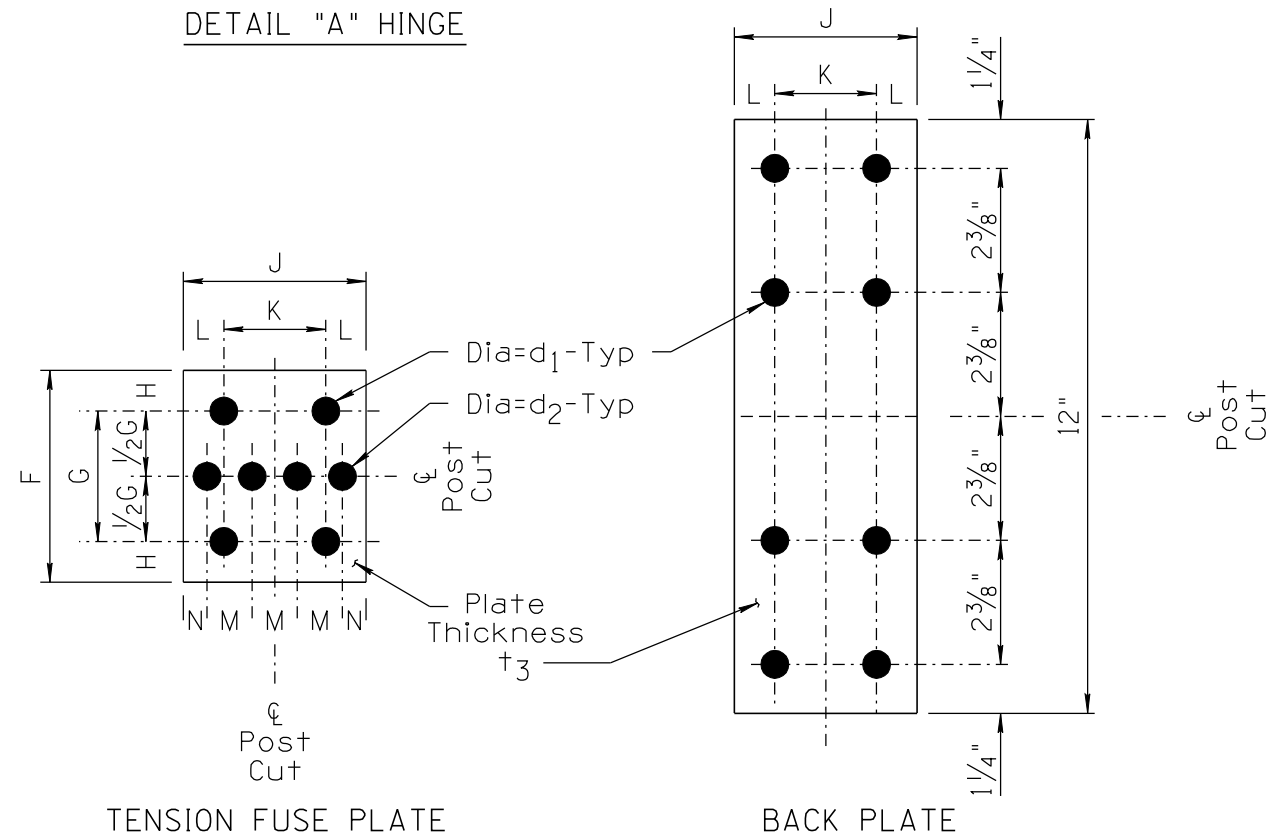
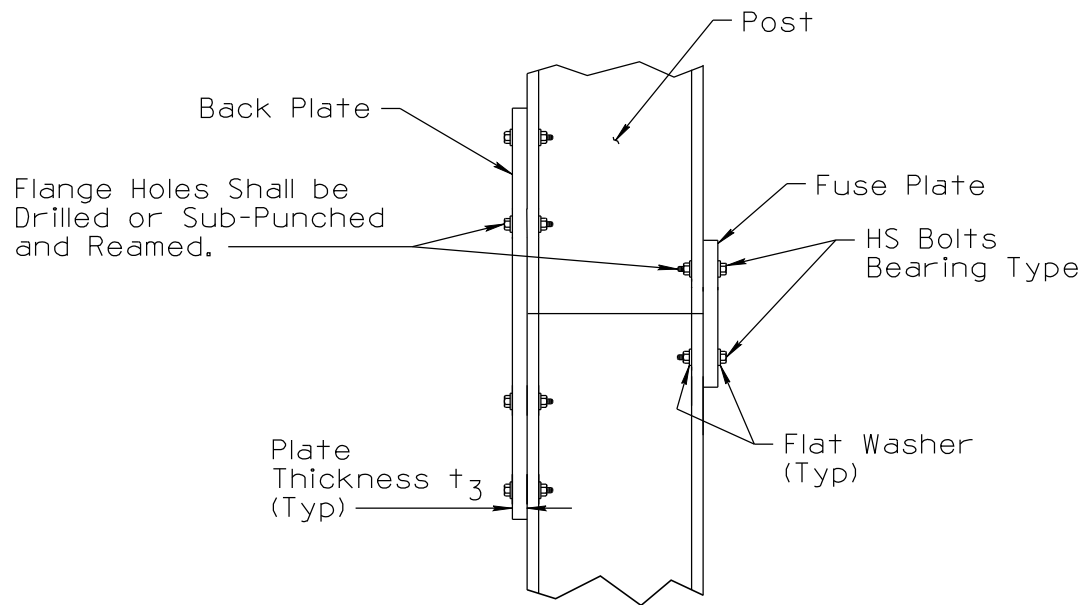
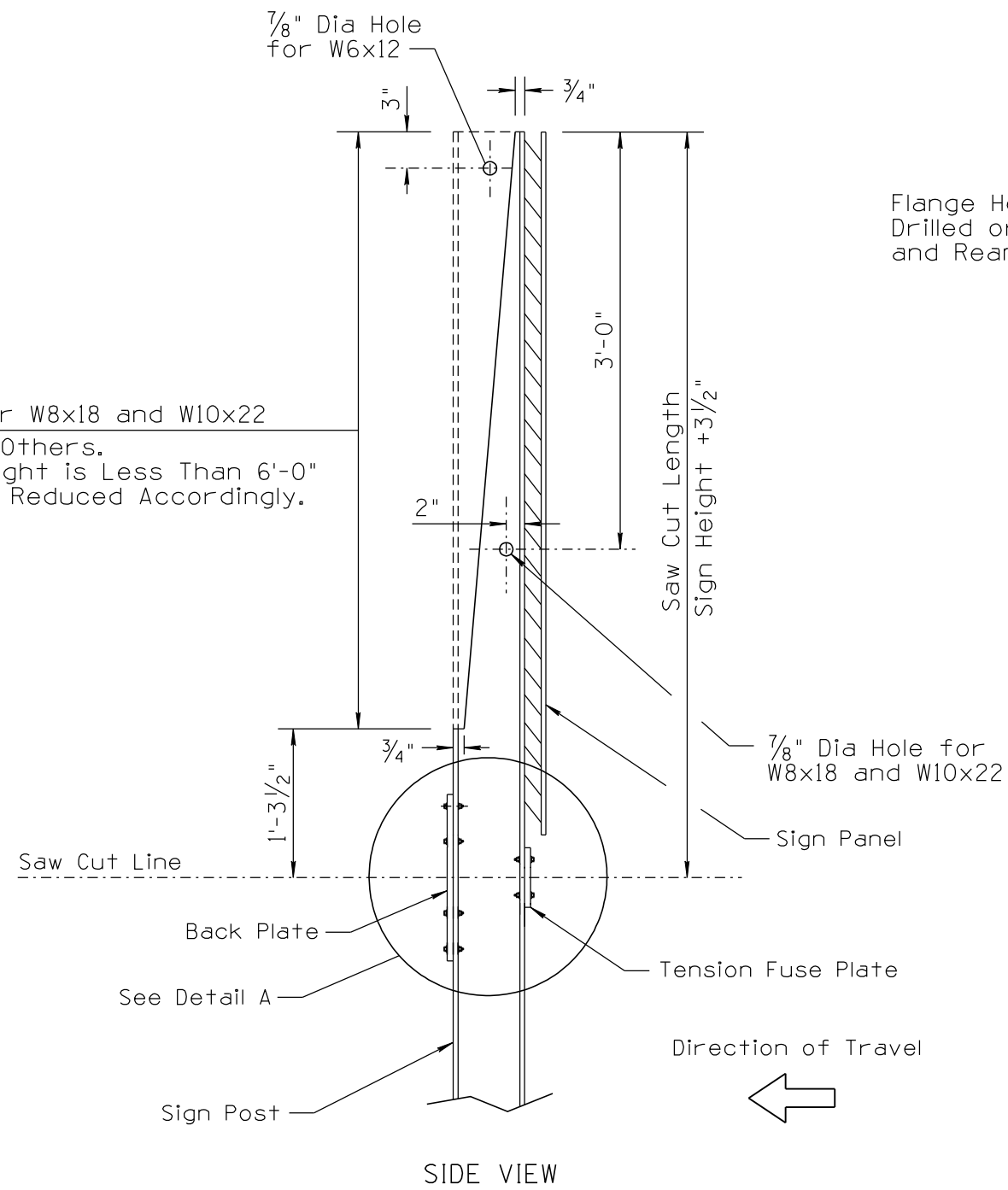


5'-0" Cope For W8x18 and W10x22
 No Cope for Others.
 When Sign Height is Less Than 6'-0"
 Cope Shall be Reduced Accordingly.



BACK PLATE AND TENSION FUSE PLATE DATA													
POST SIZE	DIMENSION FOR NEW POST SIZES												
	F	G	H	J	K	L	M	N	d ₁	d ₂	t ₃	BOLT Dia	BOLT LENGTH
W6x12	4 3/4"	2 1/2"	1 1/8"	4"	2 1/4"	7/8"	1"	1/2"	9/16"	3/4"	1/4"	1/2"	1 1/2"
W8x18	5"	2 1/2"	1 1/4"	5 1/4"	2 3/4"	1 1/4"	1 1/4"	3/4"	1 1/16"	1 1/16"	3/8"	5/8"	1 7/8"
W10x22	5 1/2"	2 1/2"	1 1/2"	5 3/4"	2 3/4"	1 1/2"	1 3/8"	1 3/16"	1 3/16"	1 1/8"	1/2"	3/4"	2 1/8"
W12x26	5 1/2"	2 1/2"	1 1/2"	6 1/2"	3 1/2"	1 1/2"	1 5/8"	1 3/16"	1 3/16"	1 5/16"	1/2"	3/4"	2 1/8"

All plate holes shall be drilled. All plate cuts shall preferably be saw cuts; flame cutting will be permitted, provided all edges are ground.

(SEE TABLE FOR DIMENSIONS)

NOT TO SCALE

DESIGN APPROVED	ARIZONA DEPARTMENT OF TRANSPORTATION INTERMODAL TRANSPORTATION DIVISION TRAFFIC SIGNING & MARKING STANDARD DRAWINGS	REVISION 6/14
SIGNATURES		DRAWING NO. S-4
APPROVED FOR DISTRIBUTION	W SHAPE BREAKAWAY POST FUSE PLATE AND HINGE DETAILS	SHEET NO. 1 OF 1
ON FILE		