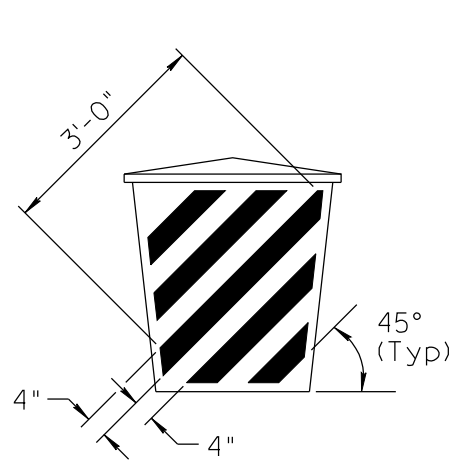
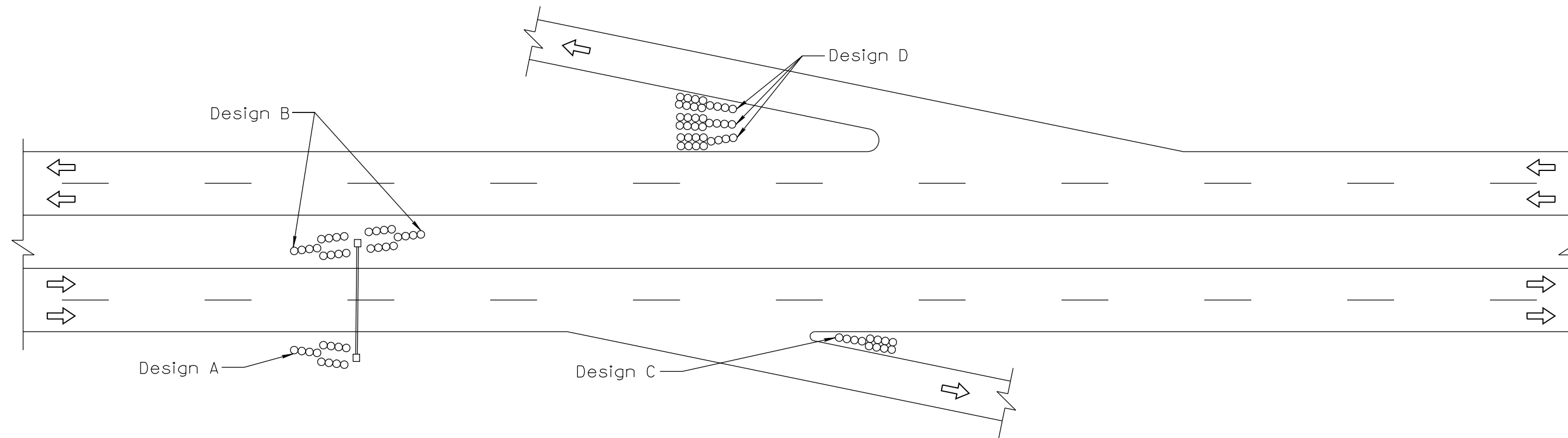


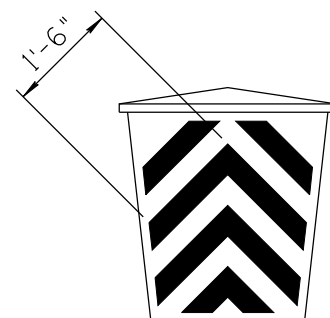
NO	DESCRIPTION OF REVISIONS	MADE BY	DATE
1	RE-ISSUE	L. LOPEZ	2/02
2	REVISED CALLOUTS, ADDED NOTES, CHANGED TEXT CASE, UPDATED BORDER.	L. LOPEZ	6/14
3			
4			



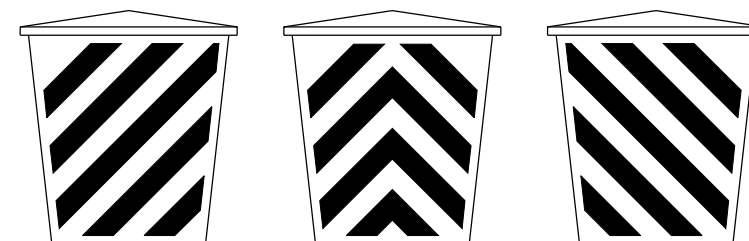
DESIGN A
(Right Side of Highway)



DESIGN B
(Left Side of Highway)



DESIGN C
(Single Gore)



DESIGN D
(Three Barrel Gore)

NOTES:

1. Retroreflective sheeting shall conform to Section 1007 of the Standard Specifications or project Special Provisions.
2. The surface of the sand barrel shall be prepared in accordance with the recommendations of the manufacturer of the sheeting prior to application.
3. See Std Dwgs C-1 and C-2 for details of sand barrel crash cushion placement.

NOT TO SCALE

DESIGN APPROVED	ARIZONA DEPARTMENT OF TRANSPORTATION INTERMODAL TRANSPORTATION DIVISION TRAFFIC SIGNING & MARKING STANDARD DRAWINGS	REVISION
SIGNATURES		6/14
APPROVED FOR DISTRIBUTION	OBJECT MARKER FOR SAND BARREL CRASH CUSHION	DRAWING NO.
ON FILE		M-35
		SHEET NO.
		1 of 1