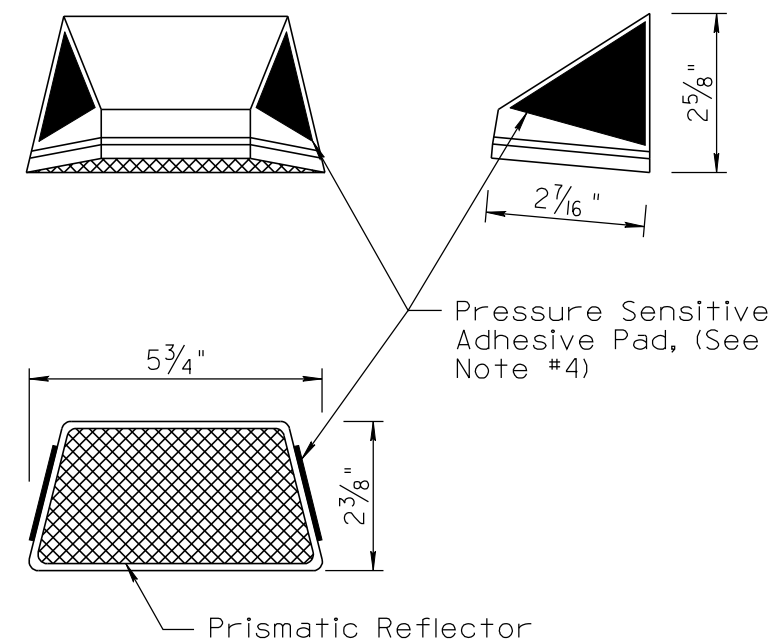
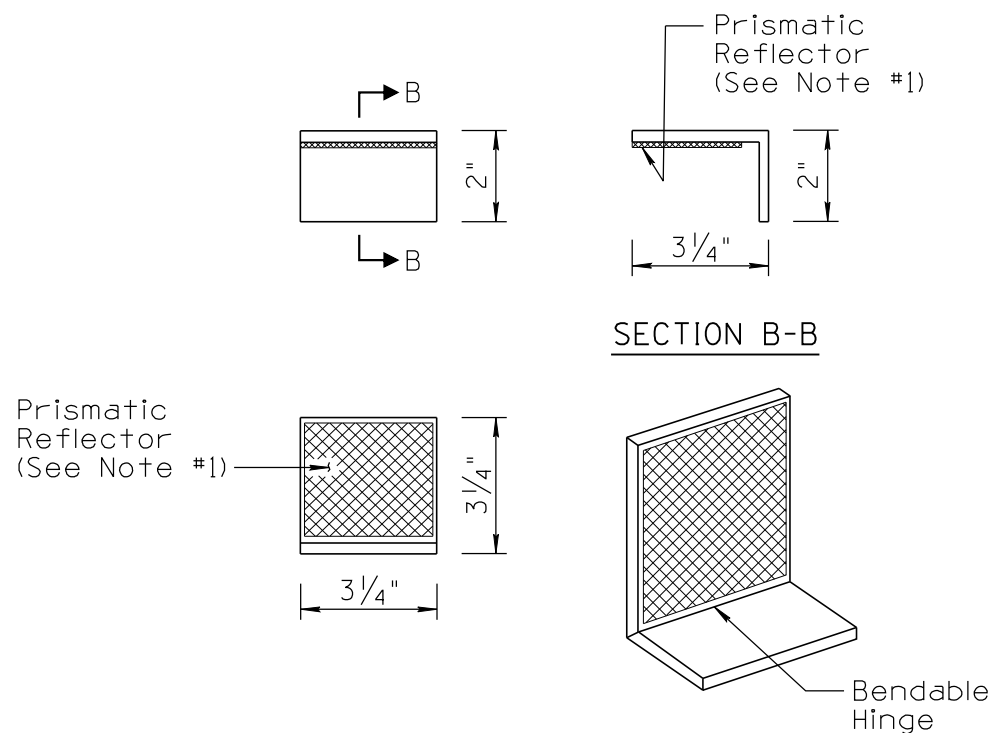
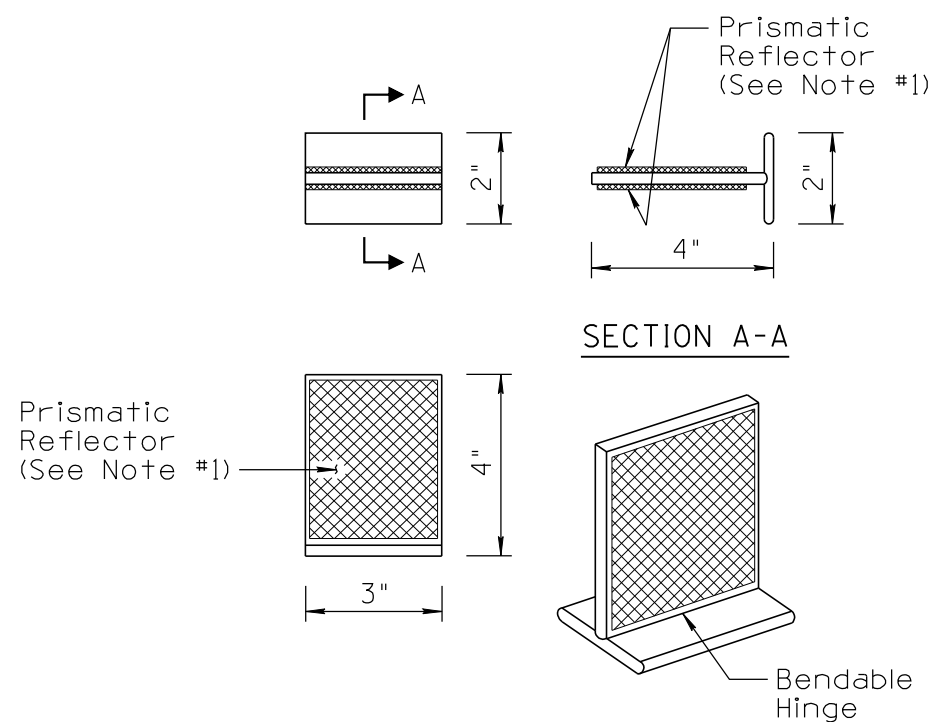
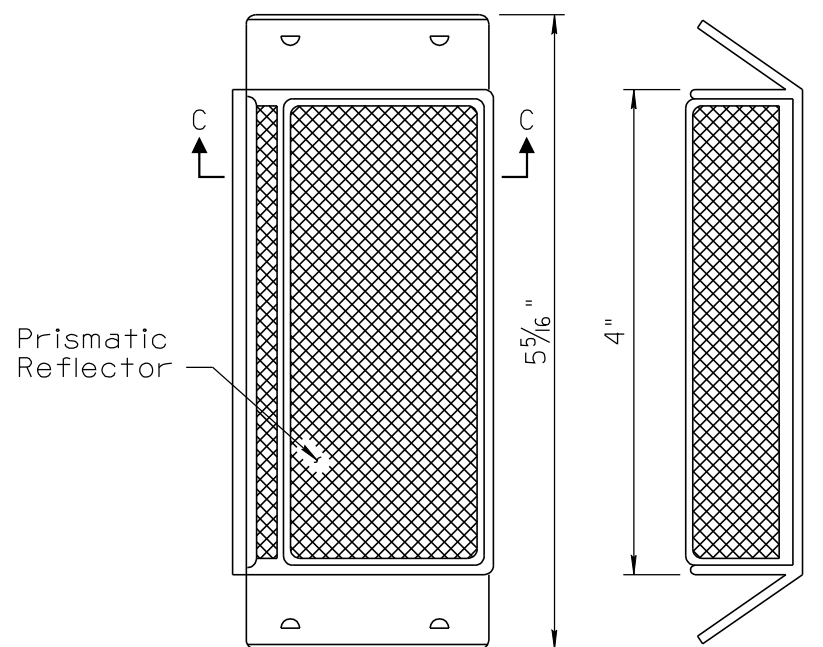
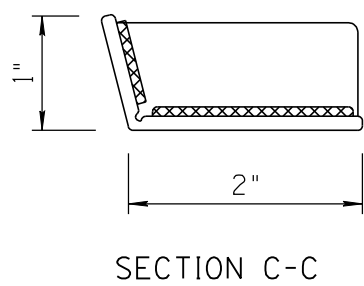


NO	DESCRIPTION OF REVISIONS	DATE	MADE BY
1	RE-ISSUE	2/02	L. LOPEZ
2	RE-DESIGN, DIMENSION CHANGES	5/03	L. LOPEZ
3	REVISED SECTION CALLOUTS AND NOTES, CHANGE TEXT CASE, UPDATED BORDER.		
4			
DESCRIPTION OF REVISIONS		MADE BY	DATE
		L. LOPEZ	6/14



CONCRETE BARRIER MARKERS



TUBULAR THRIE BEAM BARRIER MARKERS

NOTES:

1. Bridge and barrier marker designations are as follows:
 BM-1 single face white
 BM-2 single face yellow
 BM-3 two sided yellow
2. Bridge and barrier markers shall conform to section 905 of the Standard Specifications.
3. Prismatic reflectors shall be white or yellow as required and shall conform to the requirements of section 1008 of the Standard Specifications.
4. Concrete barrier marker shall be installed using manufacturer approved adhesive applied with a caulking gun.
5. All dimensions are approximate.

NOT TO SCALE

DESIGN APPROVED	ARIZONA DEPARTMENT OF TRANSPORTATION INTERMODAL TRANSPORTATION DIVISION TRAFFIC SIGNING & MARKING STANDARD DRAWINGS	REVISION 6/14
SIGNATURES		DRAWING NO. M-32
APPROVED FOR DISTRIBUTION	BRIDGE AND BARRIER MARKER DETAILS	SHEET NO. 1 of 1
ON FILE		