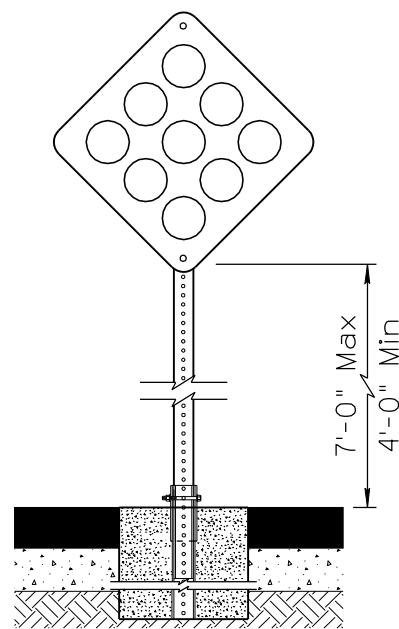


NO	DESCRIPTION OF REVISIONS	MADE BY	DATE
1	RE-ISSUE	L. LOPEZ	2/02
2	DIMENSIONS AND TEXT EDITS	L. LOPEZ	5/03
3	CHANGE TEXT CASE, UPDATE BORDER, REVISED FOUNDATIONS AND SHAPE OF REFLECTIVE ELEMENTS.	L. LOPEZ	6/14
4			

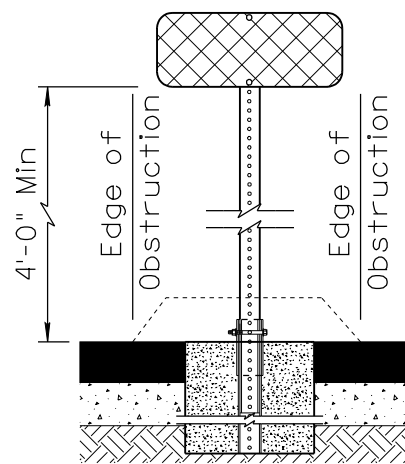
NOTES:

1. If an object marker is used to mark an obstruction adjacent to the roadway, the edge of the object marker that is closest to the roadway shall be installed in line with the closest edge of the obstruction.
2. If a single object marker is used to mark an obstruction within the roadway, the object marker should be approximately centered on the center of the obstruction.
3. All dimensions are nominal, except as noted.



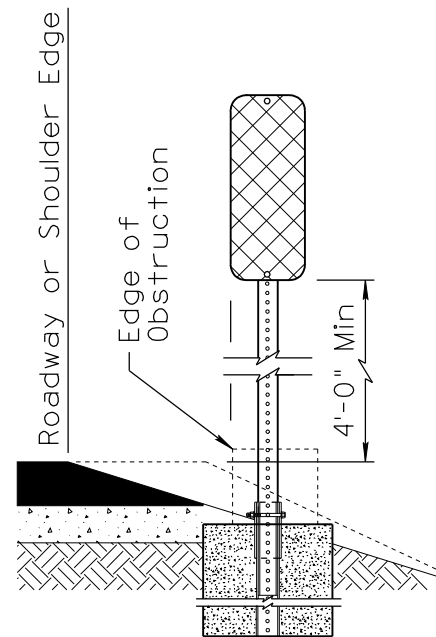
**TYPE 1 or TYPE 4
OBJECT MARKER**

(OM1-2, OM1-3,
OM4-2, OM4-3)



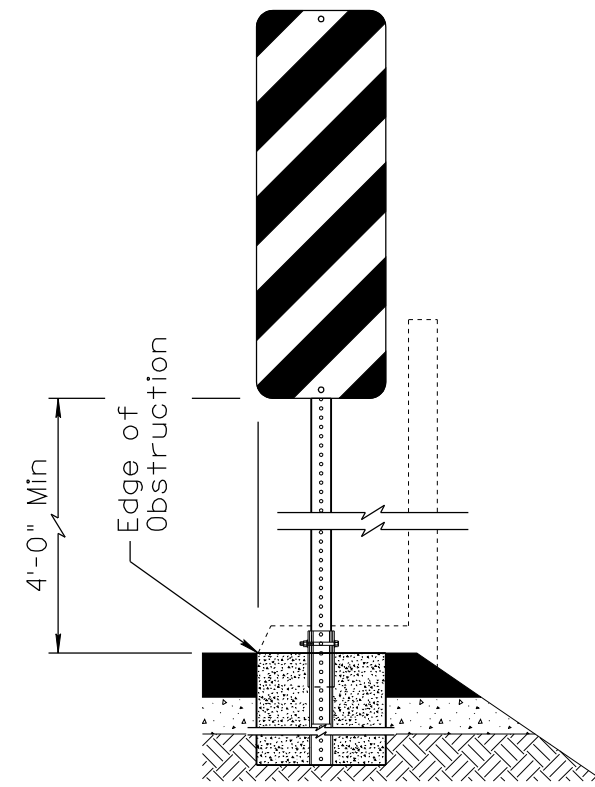
**TYPE 2
OBJECT MARKER - HORIZONTAL**

(OM2-1H, OM2-2H, OM2-2aH)



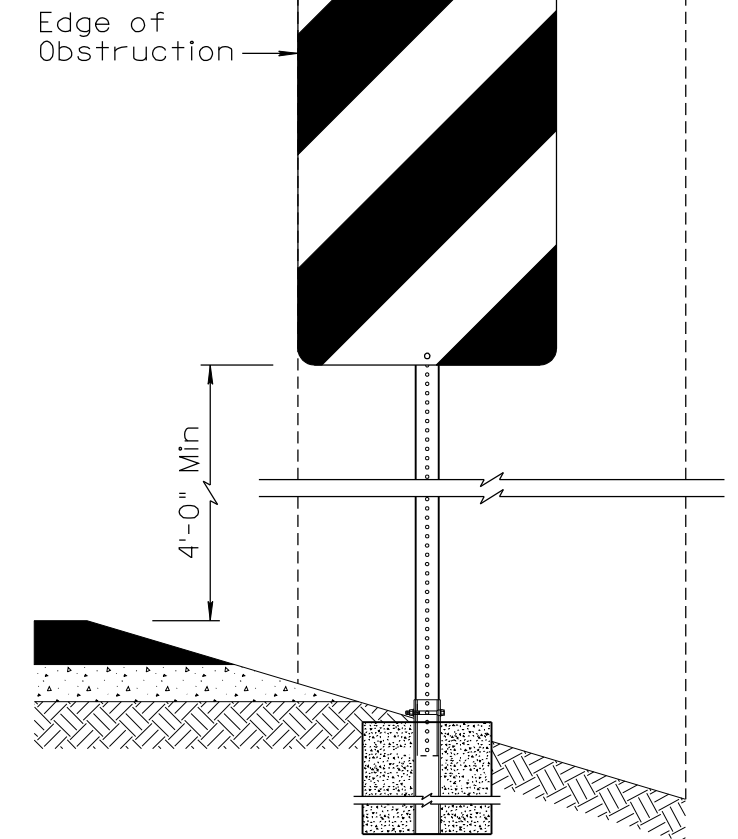
**TYPE 2
OBJECT MARKER - VERTICAL**

(OM2-1V, OM2-2V, OM2-2aV)



**TYPE 3 (12"x36")
OBJECT MARKER**

(OM3-L, OM3-C, OM3-R)



**TYPE 3-a (24"x96")
OBJECT MARKER**

(OM3-aL, OM3-aC, OM3-aR)

May be affixed to
the obstruction in
lieu of post mounting

Edge of
Obstruction

NOT TO SCALE

DESIGN APPROVED	ARIZONA DEPARTMENT OF TRANSPORTATION INTERMODAL TRANSPORTATION DIVISION TRAFFIC SIGNING & MARKING STANDARD DRAWINGS	REVISION	6/14
SIGNATURES		DRAWING NO.	M-24
APPROVED FOR DISTRIBUTION	OBJECT MARKER PLACEMENT DETAILS	SHEET NO.	1 of 1
ON FILE			