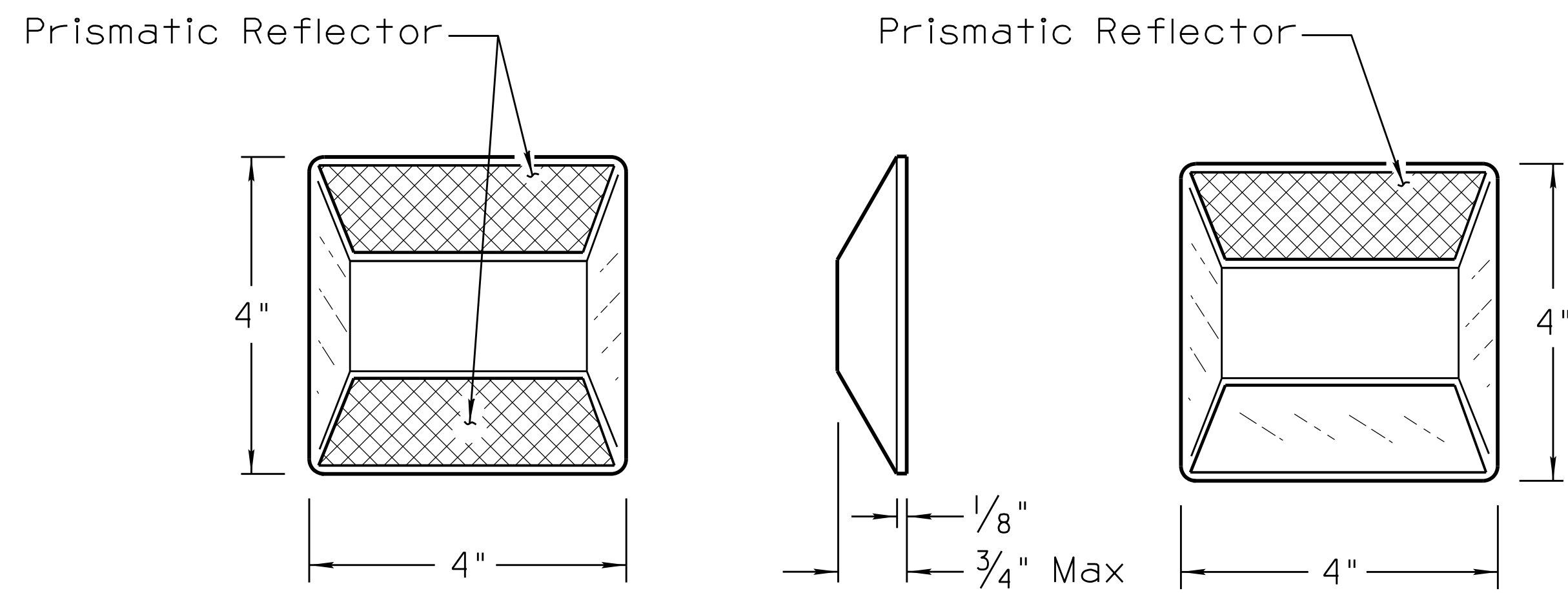
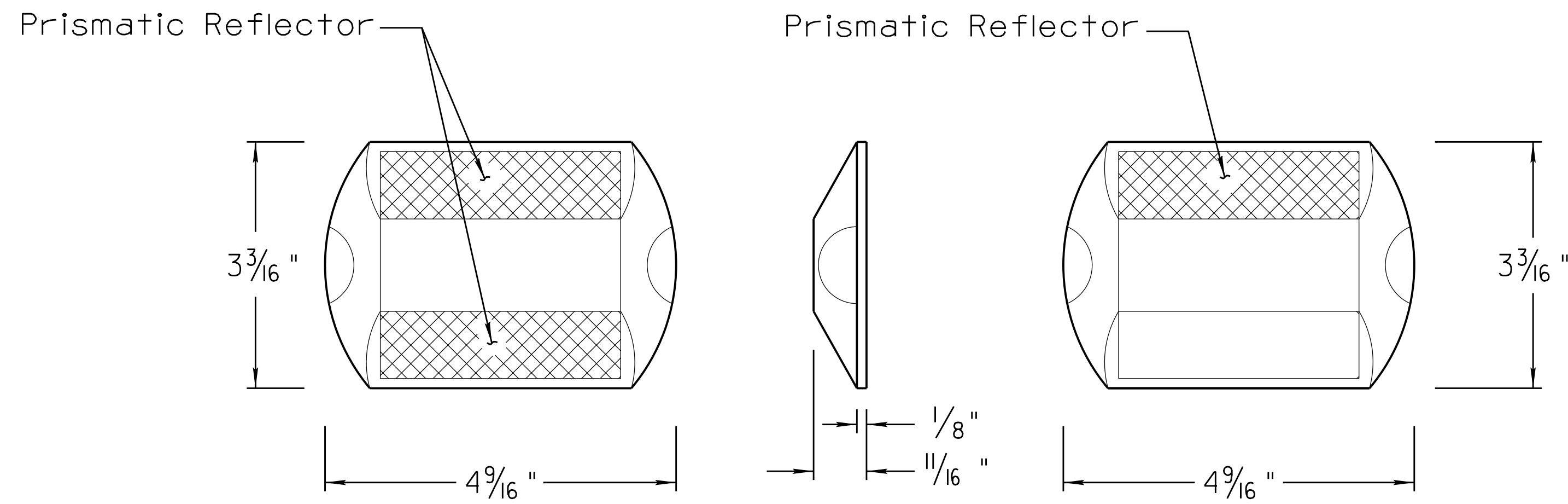


Note to Designer: The information presented in this Standard Drawing has been prepared in accordance with recognized engineering principles and is for general use. It should not be used for specific application without competent professional examination and verification of its suitability and applicability by a licensed professional engineer. Contents within the inner border line shall not be altered.

PRIOR DISTRIBUTION DATE 06/2008



TYPES BB, C, D AND E

TYPES G AND H

RAISED PAVEMENT MARKERS

NOTES:

1. See the Standard Specifications for additional requirements.
2. The actual shapes of the RPMs can vary from what is shown, if approved.
3. All dimensions are nominal, except as otherwise noted.

STANDARDS ENGINEER R. MOEUR	ARIZONA DEPARTMENT OF TRANSPORTATION INFRASTRUCTURE DELIVERY AND OPERATIONS DIVISION TRAFFIC SIGNING AND MARKING STANDARD DRAWINGS	
RECOMMENDED FOR APPROVAL GROUP MANAGER M. HANNA	RETROREFLECTIVE RAISED PAVEMENT MARKER DETAILS	DRAWING NO. M-19
APPROVED STANDARDS COMMITTEE APPROVED FOR DISTRIBUTION		06/2014 DATE
		Sheet 3 of 11