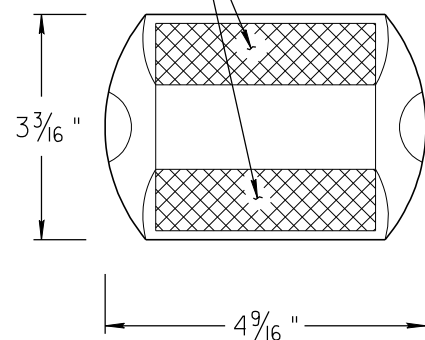
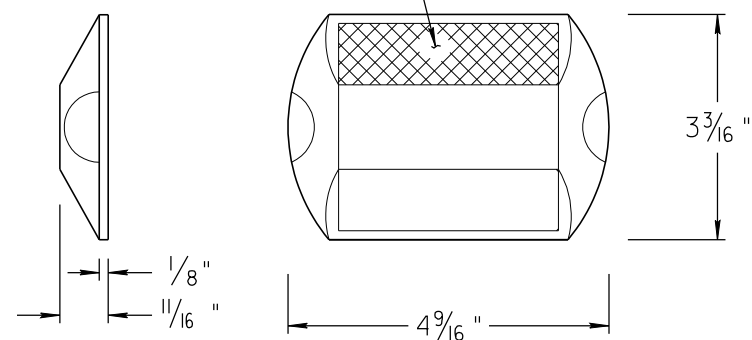


NO	DESCRIPTION OF REVISIONS	DATE	MADE BY
1	RE-ISSUE	2/02	L. LOPEZ
2	RE-ISSUE: ADDED TYPE BB & TYPE E PAVEMENT MARKER	6/08	L. LOPEZ
3	ADDED NEW BORDER, CHANGED TEXT CASE, REVISED NOTES.		
4			

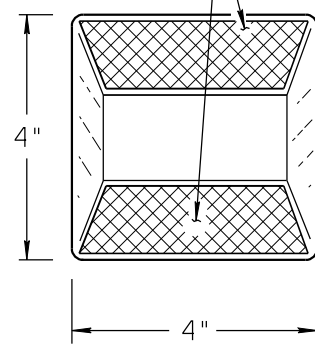
Prismatic Reflector



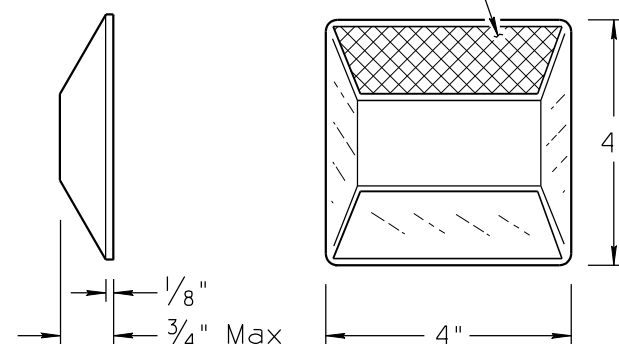
Prismatic Reflector



Prismatic Reflector



Prismatic Reflector



TYPES BB, C, D AND E

TYPES G AND H

RAISED PAVEMENT MARKERS

NOTES:

1. See the Standard Specifications for additional requirements.
2. The actual shapes of the RPMs can vary from what is shown, if approved.
3. All dimensions are nominal, except as otherwise noted.

NOT TO SCALE

DESIGN APPROVED	ARIZONA DEPARTMENT OF TRANSPORTATION INTERMODAL TRANSPORTATION DIVISION TRAFFIC SIGNING & MARKING STANDARD DRAWINGS	REVISION
SIGNATURES		6/14
APPROVED FOR DISTRIBUTION	RETROREFLECTIVE RAISED PAVEMENT MARKER DETAILS	DRAWING NO.
ON FILE		M-19
		SHEET NO.
		3 of 9