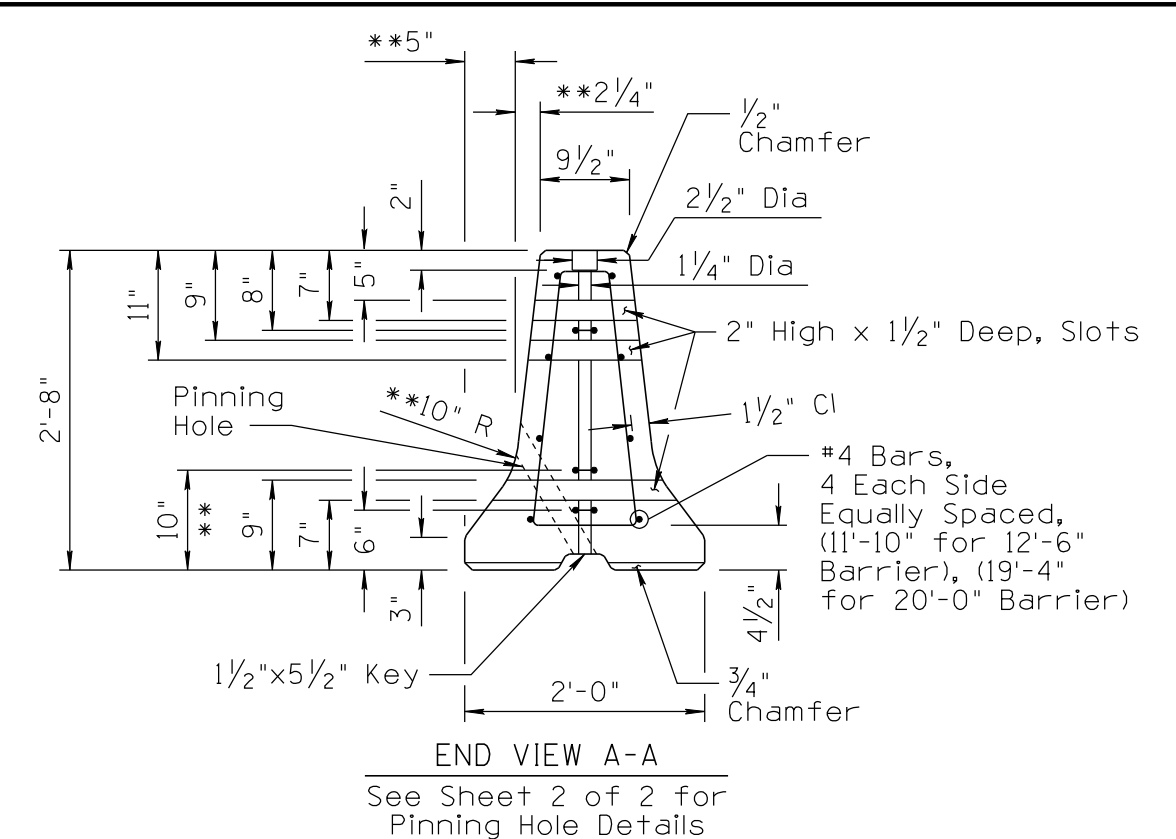
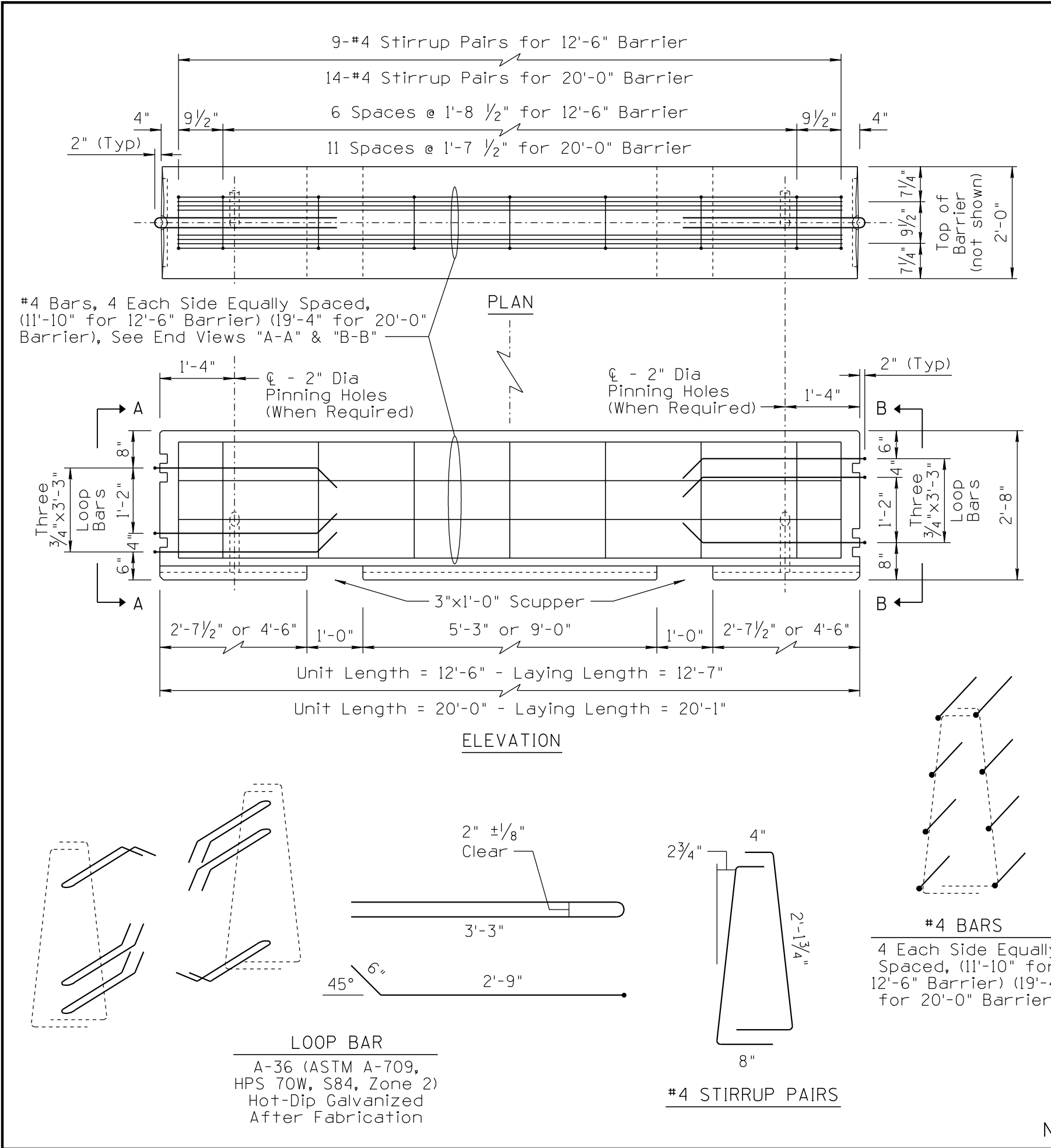
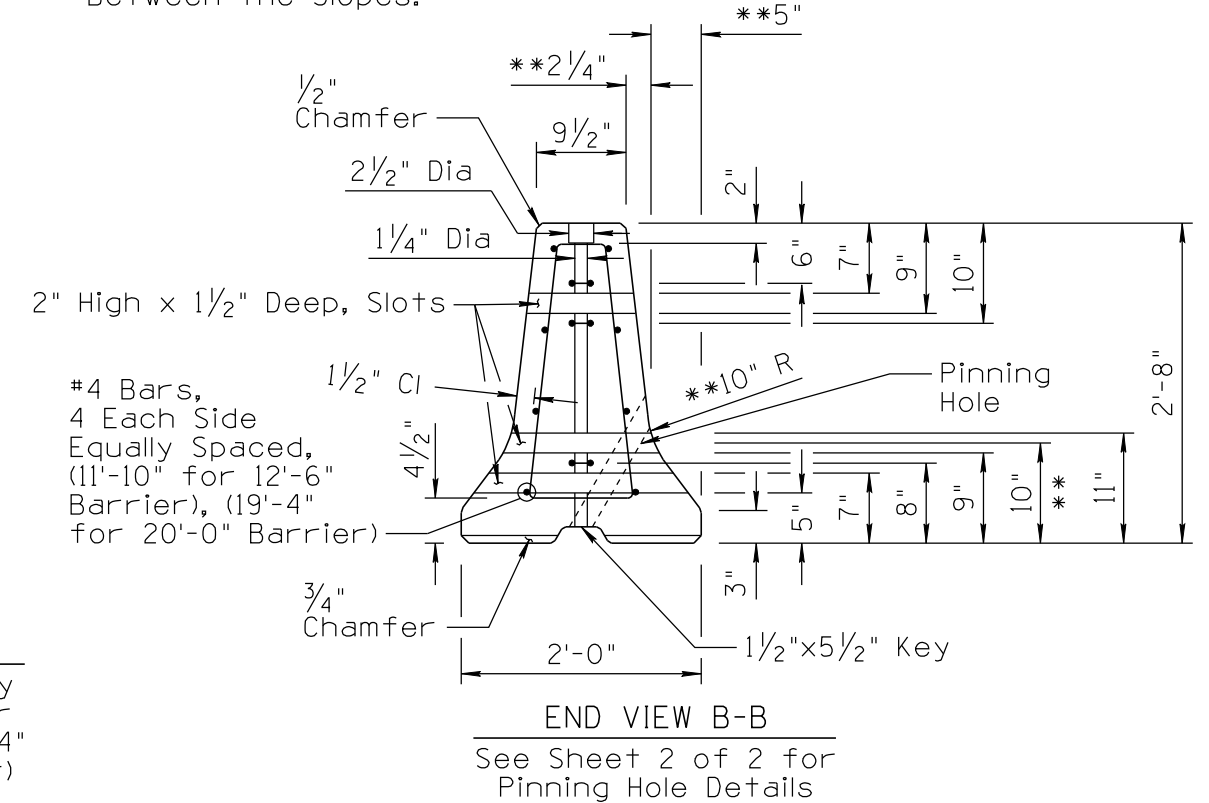


NO	DESCRIPTION OF REVISIONS	DATE	MADE BY
1	RE-ISSUE	2/02	L. LOPEZ
2	LOOP BAR AND SLOT (2") DIMENSION ADDED.	3/03	L. LOPEZ
3	DELETED SHEET #3 (OLD BARRIER).		
4	CHANGED TEXT TO UPPER AND LOWER CASE. ADDED NEW BORDER.		



** Dimensions Are to the Intersection Point of the Barrier Slopes. Construct the 10 Inch Radius to Provide a Smooth Transition Between the Slopes.



DESIGN APPROVED	ARIZONA DEPARTMENT OF TRANSPORTATION INTERMODAL TRANSPORTATION DIVISION TRAFFIC SIGNING & MARKING STANDARD DRAWINGS	REVISION 6/14
SIGNATURES		DRAWING NO. C-3
APPROVED FOR DISTRIBUTION	PRECAST CONCRETE BARRIER STRUCTURAL DETAILS	SHEET NO. 1 OF 2
ON FILE		

NOT TO SCALE