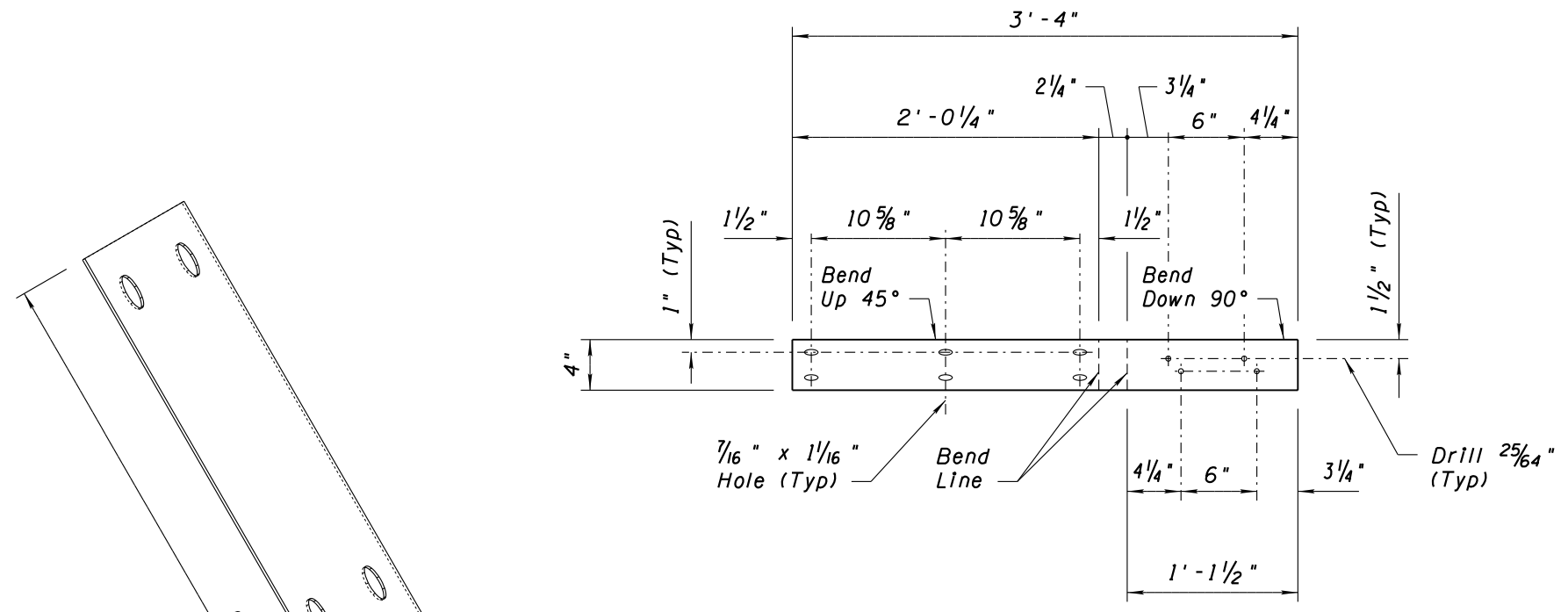
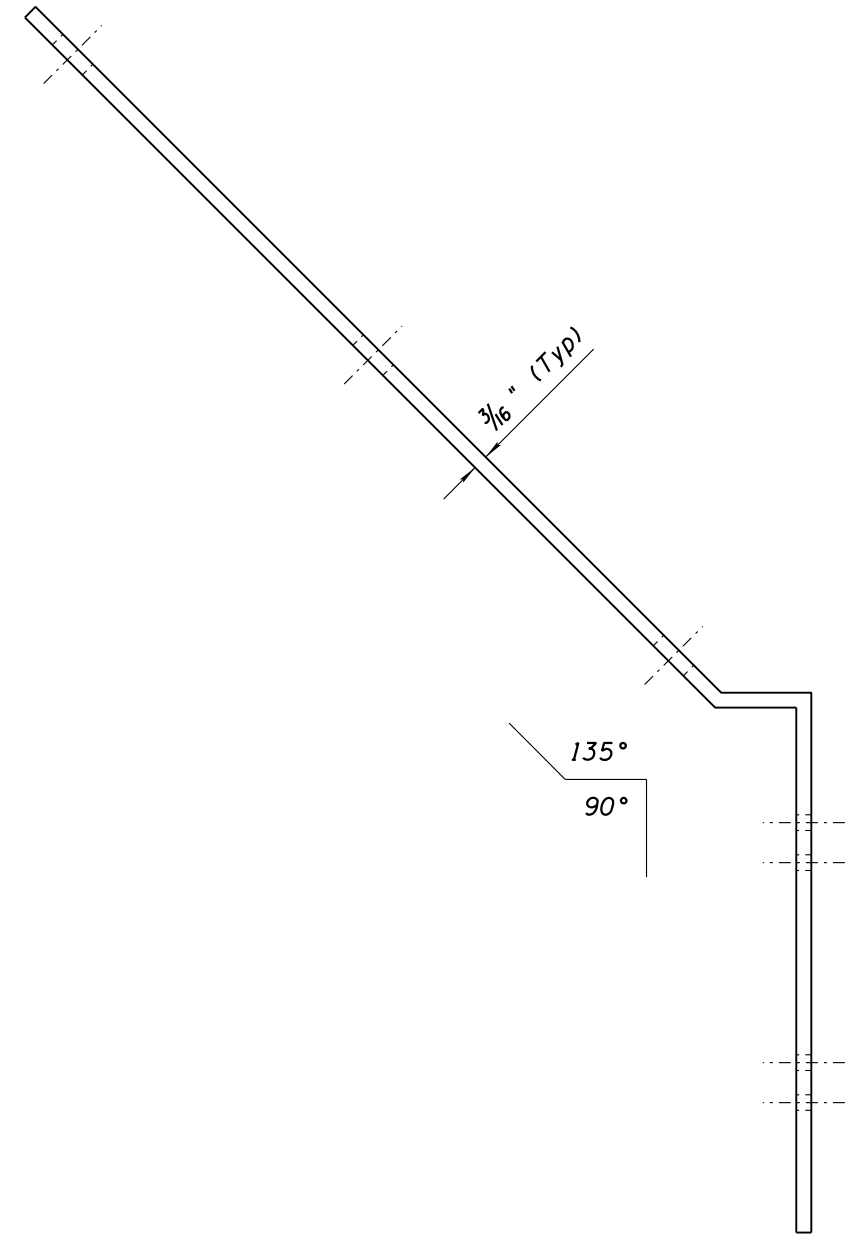


Note to Designer:  
 The information presented in this Standard Drawing has been prepared in accordance with recognized engineering principles and is for general use. It should not be used for specific application without competent professional examination and verification of its suitability and applicability by a licensed professional engineer. Comments within the inner border line shall not be altered.

PRIOR DISTRIBUTION DATE 06/2019



**SPLICE PLATE FOR FIN UNFOLDED**



**SPLICE PLATE FOR FIN LEFT SIDE VIEW**

**SPLICE PLATE FOR FIN**  
3D Isometric

STANDARDS ENGINEER <b>H. LUNA</b>	ARIZONA DEPARTMENT OF TRANSPORTATION INFRASTRUCTURE DELIVERY AND OPERATIONS DIVISION TRAFFIC SIGNING & MARKING STANDARD DRAWING	
RECOMMENDED FOR APPROVAL GROUP MANAGER <b>M. HANNA</b>	ALUMINUM GRAFFITI SHIELD SPLICE PLATE FOR FIN	DRAWING NO. <b>S-18</b>
APPROVED STANDARDS COMMITTEE APPROVED FOR DISTRIBUTION DATE 07/2019		(11 of 11)