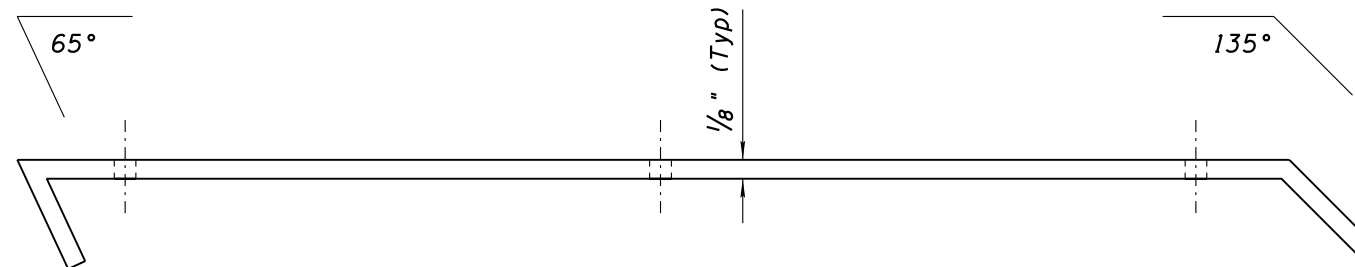
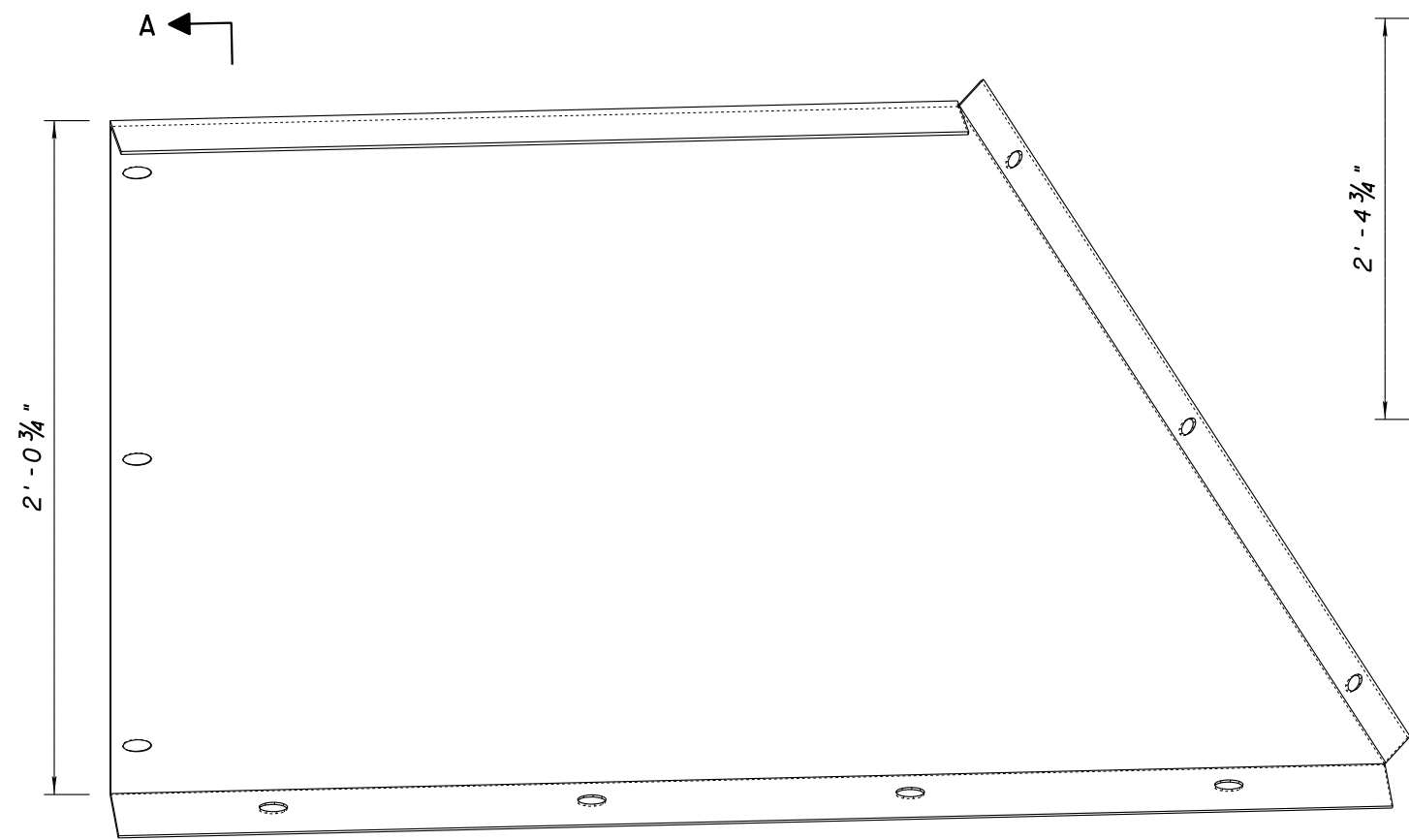


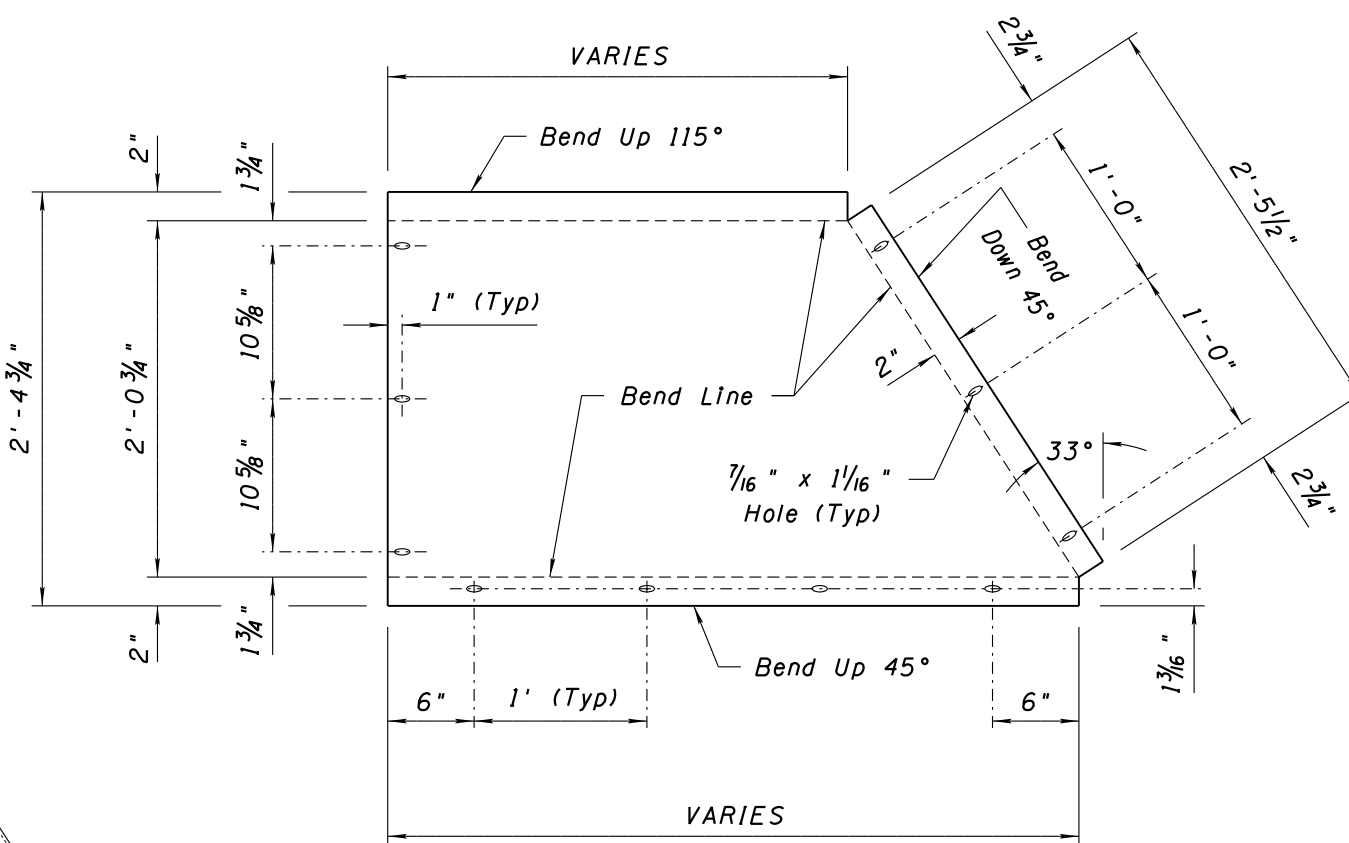
Note to Designer: The information presented in this Standard Drawing has been prepared in accordance with recognized engineering principles and is for general use. It should not be used for specific application without competent professional examination and verification of its suitability and applicability by a licensed professional engineer. Comments within the inner border line shall not be altered.



SECTION A-A



RIGHT TRANSITION FROM RIDER
3D Isometric



RIGHT TRANSITION FROM RIDER UNFOLDED

PRIOR DISTRIBUTION DATE 06/2019

STANDARDS ENGINEER H. LUNA	ARIZONA DEPARTMENT OF TRANSPORTATION INFRASTRUCTURE DELIVERY AND OPERATIONS DIVISION TRAFFIC SIGNING & MARKING STANDARD DRAWING
RECOMMENDED FOR APPROVAL GROUP MANAGER M. HANNA	
APPROVED	ALUMINUM GRAFFITI SHIELD RIGHT TRANSITION FROM RIDER
STANDARDS COMMITTEE APPROVED FOR DISTRIBUTION	
DATE 07/2019	DRAWING NO. S-18 (9 of 11)