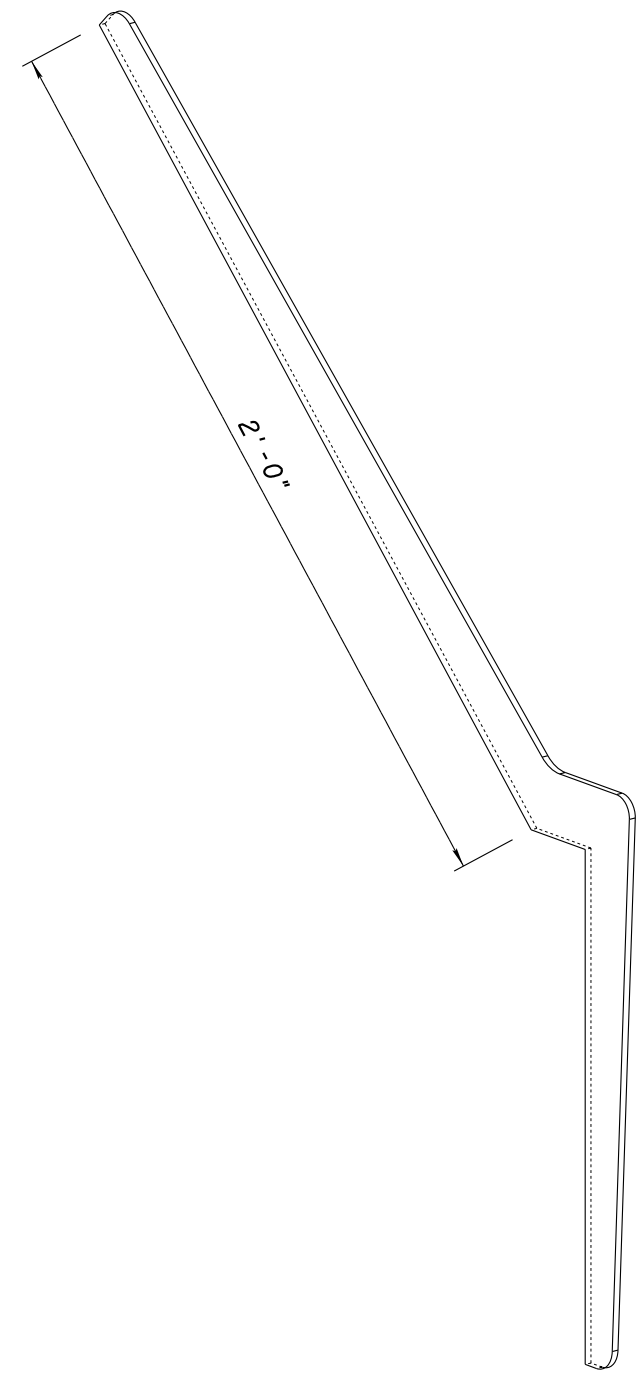


Note to Designer:  
 The information presented in this Standard Drawing has been prepared in accordance with recognized engineering principles and is for general use. It should not be used for specific application without competent professional examination and verification of its suitability and applicability by a licensed professional engineer. Comments within the inner border line shall not be altered.

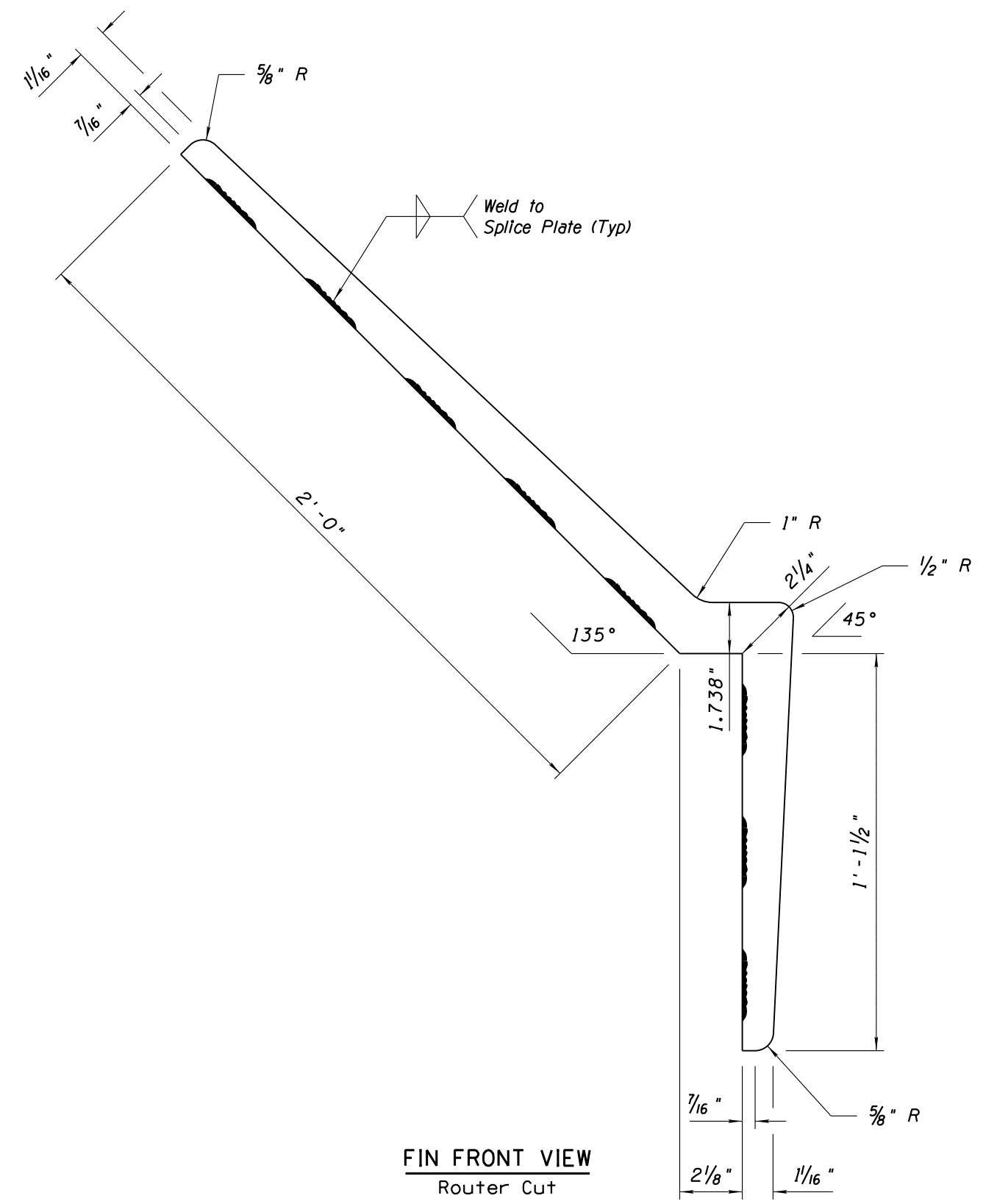
PRIOR DISTRIBUTION DATE 06/2019



**FIN TOP VIEW**  
Router Cut



**FIN**  
Router Cut  
(3D Isometric)



**FIN FRONT VIEW**  
Router Cut

STANDARDS ENGINEER <b>H. LUNA</b>	ARIZONA DEPARTMENT OF TRANSPORTATION INFRASTRUCTURE DELIVERY AND OPERATIONS DIVISION TRAFFIC SIGNING & MARKING STANDARD DRAWING
RECOMMENDED FOR APPROVAL GROUP MANAGER <b>M. HANNA</b>	
APPROVED	ALUMINUM GRAFFITI SHIELD FIN
STANDARDS COMMITTEE APPROVED FOR DISTRIBUTION	DRAWING NO. <b>S-18</b> (6 of 11)

DATE 07/2019
-----------------