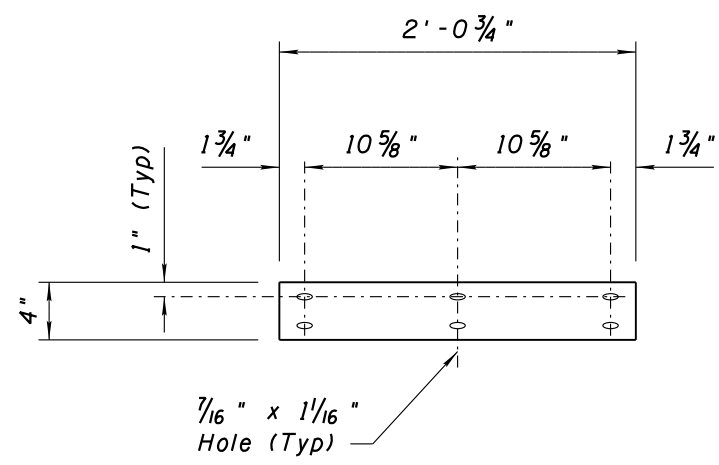
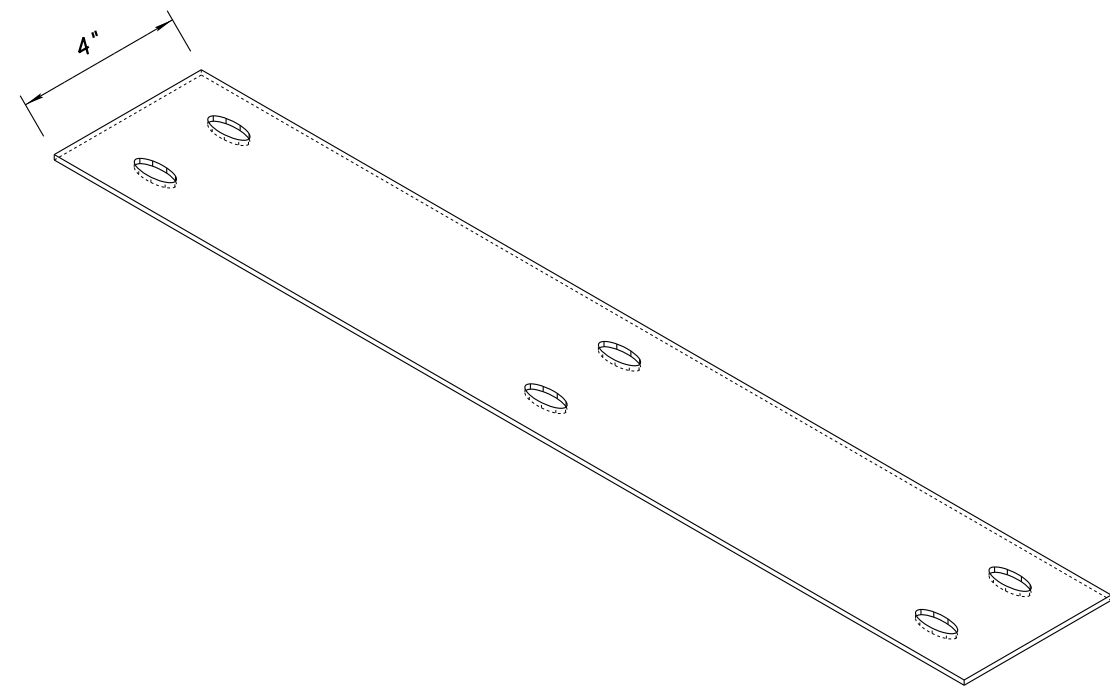


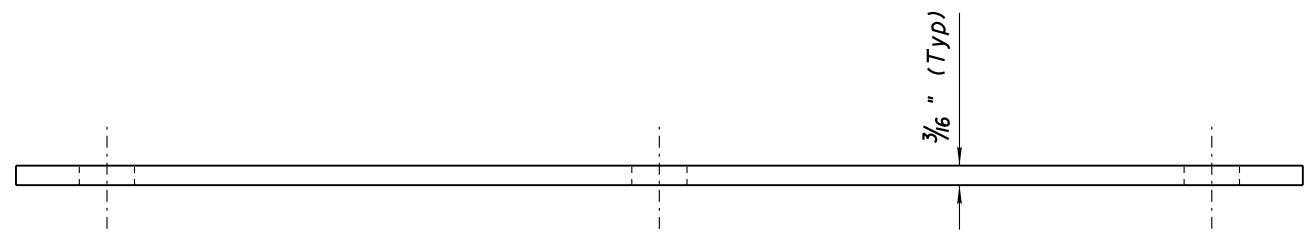
Note to Designer:  
 The information presented in this Standard Drawing has been prepared in accordance with recognized engineering principles and is for general use. It should not be used for specific application without competent professional examination and verification of its suitability and applicability by a licensed professional engineer. Comments within the inner border line shall not be altered.



SPLICE PLATE TOP VIEW



SPLICE PLATE  
 3D Isometric



SPLICE PLATE FRONT VIEW

PRIOR DISTRIBUTION DATE  
 06/2019

STANDARDS ENGINEER H. LUNA	ARIZONA DEPARTMENT OF TRANSPORTATION INFRASTRUCTURE DELIVERY AND OPERATIONS DIVISION TRAFFIC SIGNING & MARKING STANDARD DRAWING	
RECOMMENDED FOR APPROVAL GROUP MANAGER M. HANNA	ALUMINUM GRAFFITI SHIELD SPLICE PLATE	DRAWING NO. S-18 (5 of 11)
APPROVED STANDARDS COMMITTEE APPROVED FOR DISTRIBUTION		DATE 07/2019