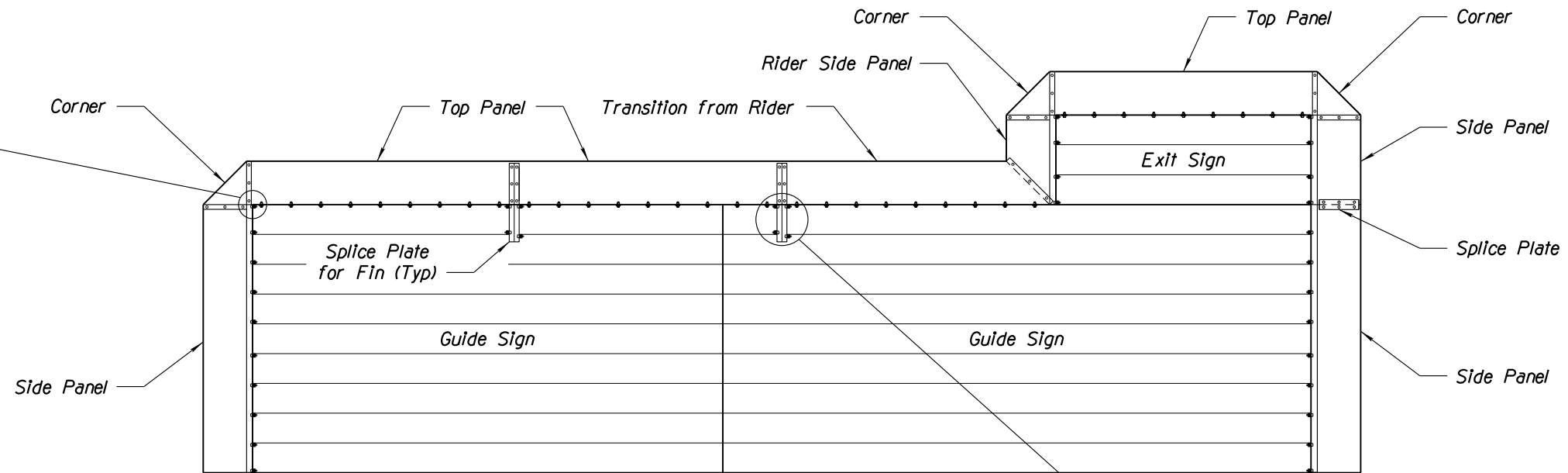


**EXTRUDED PANEL AND SHIELD CONNECTION (TYP)**

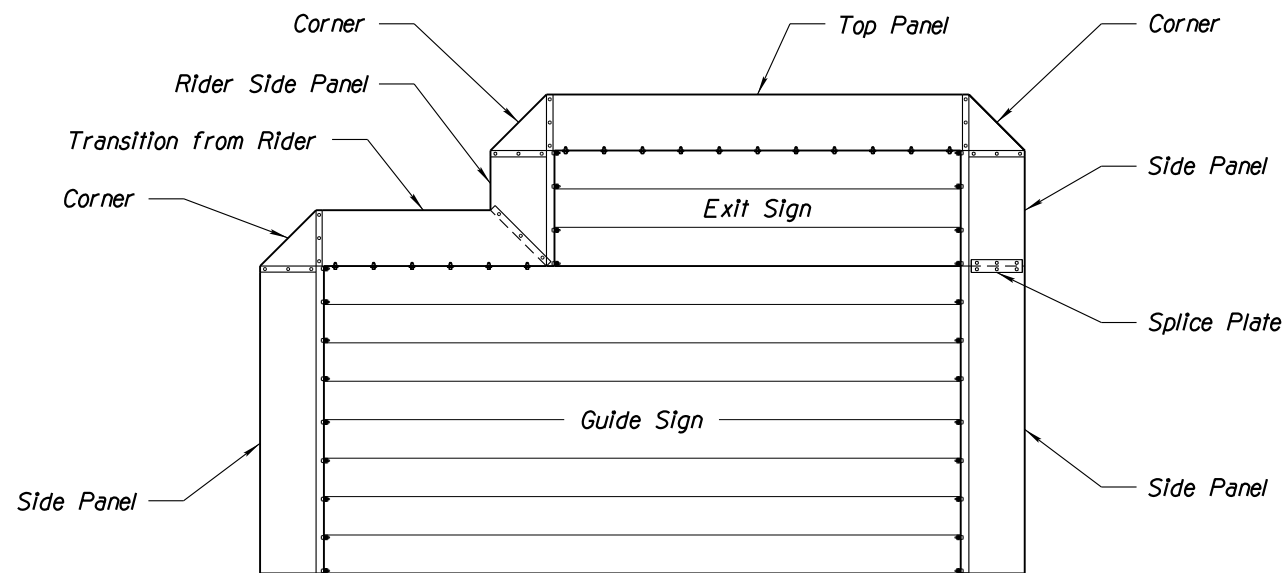
See Std Dwg S-7 for Post Clip Details (Back View)



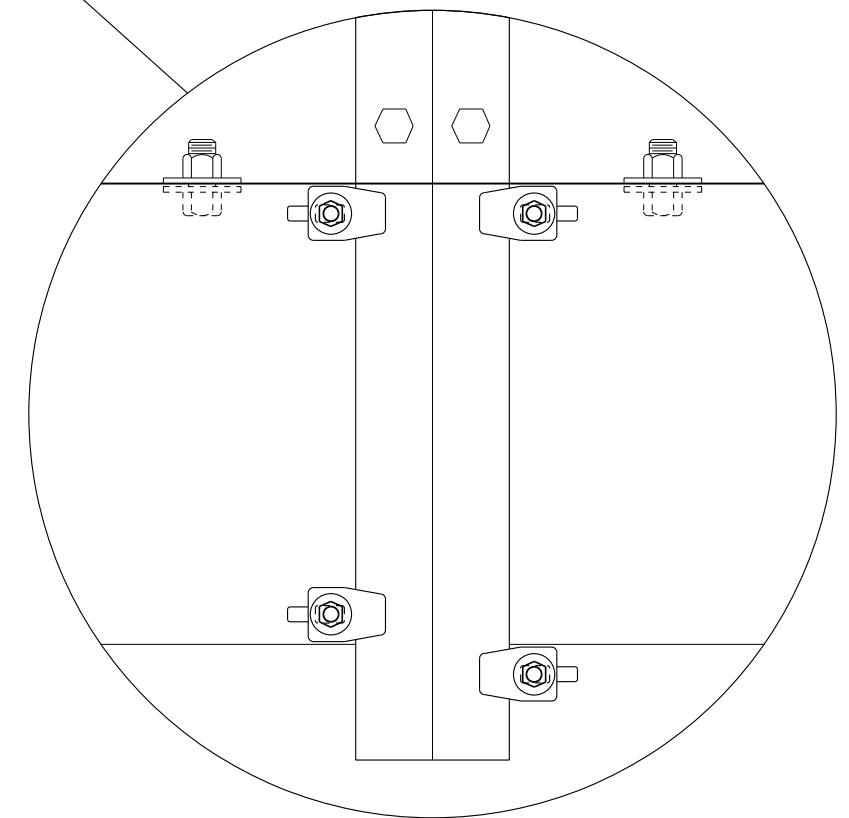
**EXIT AND GUIDE SIGNS WITH GRAFFITI SHIELD**  
Extruded Panels (Back View)

**NOTE:**

Install splice plate at a spacing of 8 ft or at the junction of graffiti shield panels for sign wider than 8 ft.



**EXIT AND GUIDE SIGN WITH GRAFFITI SHIELD**  
Extruded Panels (Back View)



**SPLICE PLATE FOR FIN CONNECTION (TYP)**  
See Std Dwg S-7 for Post Clip Details (Back View)

STANDARDS ENGINEER <b>H. LUNA</b>	ARIZONA DEPARTMENT OF TRANSPORTATION INFRASTRUCTURE DELIVERY AND OPERATIONS DIVISION TRAFFIC SIGNING & MARKING STANDARD DRAWING	
RECOMMENDED FOR APPROVAL GROUP MANAGER <b>M. HANNA</b>	ALUMINUM GRAFFITI SHIELD EXIT AND GUIDE SIGN ASSEMBLY	DRAWING NO. <b>S-18</b> (1 of 11)
APPROVED STANDARDS COMMITTEE APPROVED FOR DISTRIBUTION		DATE <b>07/2019</b>

Note to Designer: The information presented in this Standard Drawing has been prepared in accordance with recognized engineering principles and is for general use. It should not be used for specific application without competent professional examination and verification of its suitability and applicability by a licensed professional engineer. Comments within the inner border line shall not be altered.

PRIOR DISTRIBUTION DATE  
**06/2019**