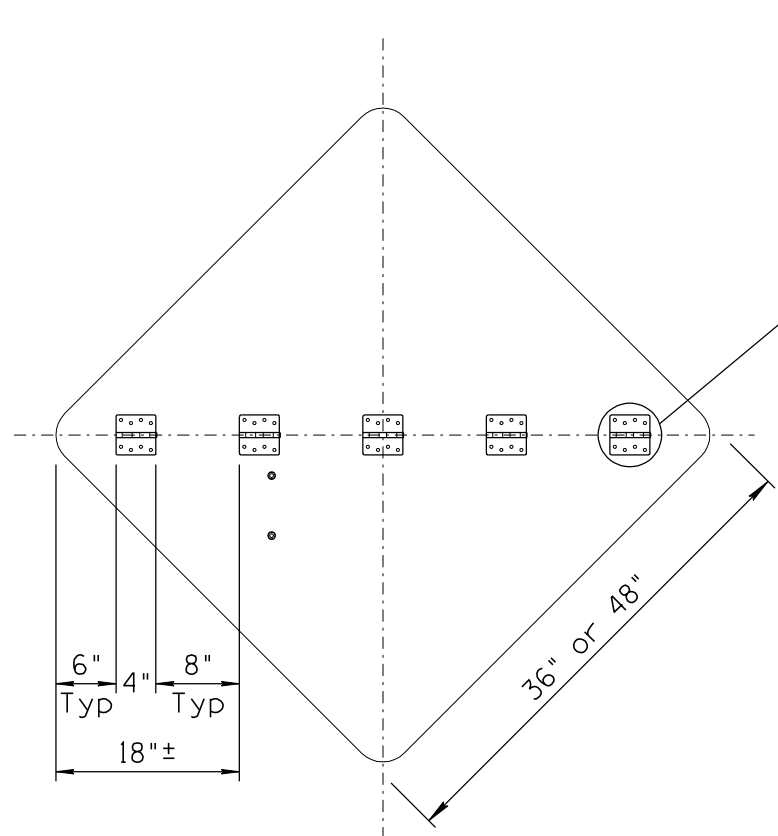
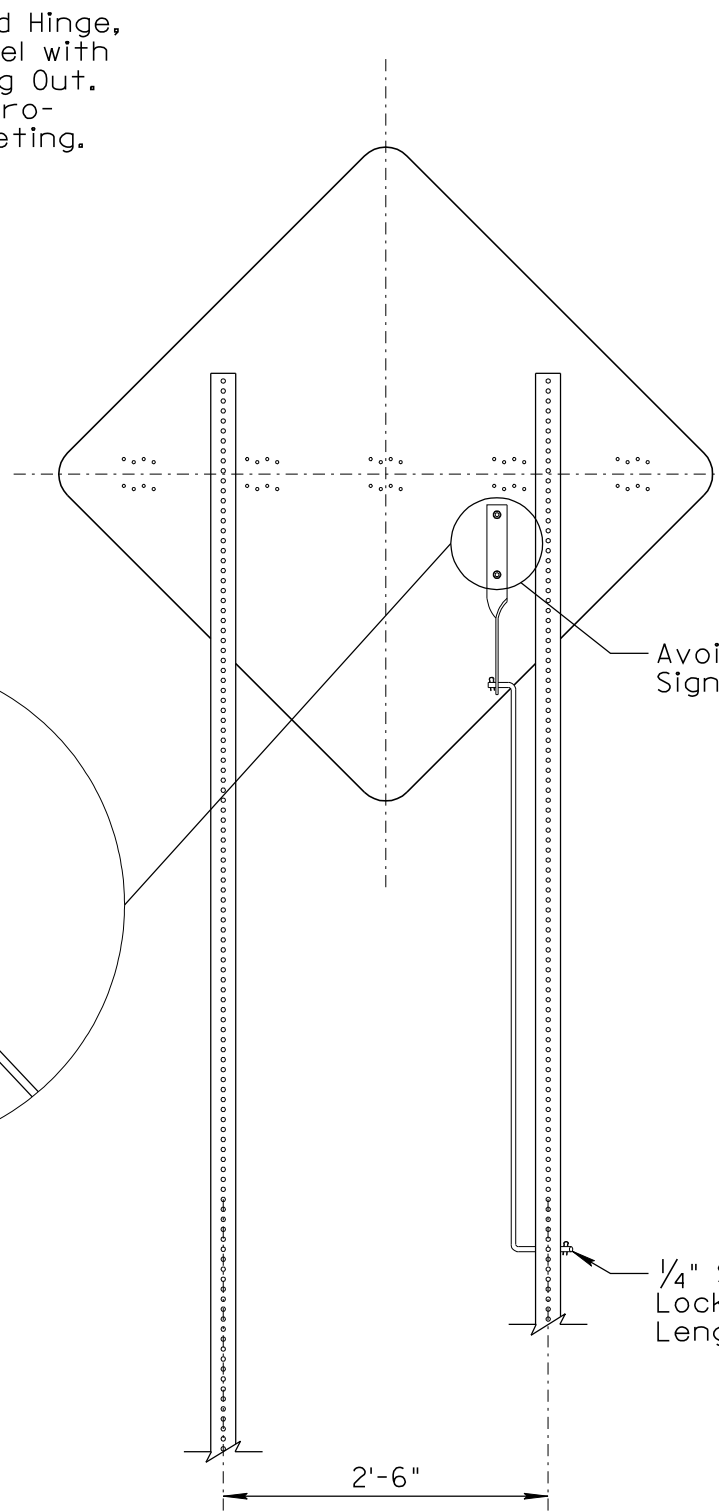
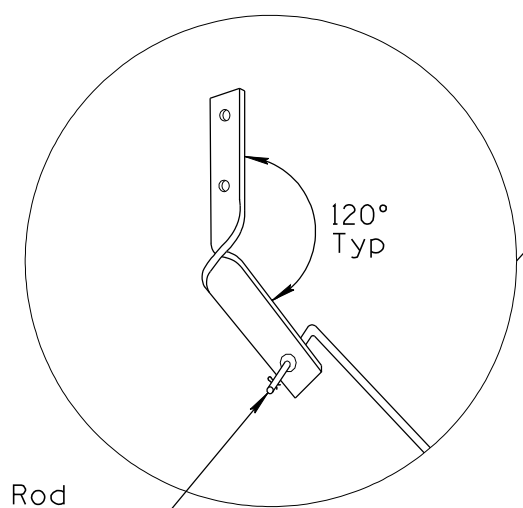


NO	DESCRIPTION OF REVISIONS	MADE BY	DATE
1	ORIGINAL ISSUE	L. LOPEZ	6/14
2			
3			
4			



HINGE AT HORIZONTAL CENTERLINE

1/4" Steel Rod Locked with Pin

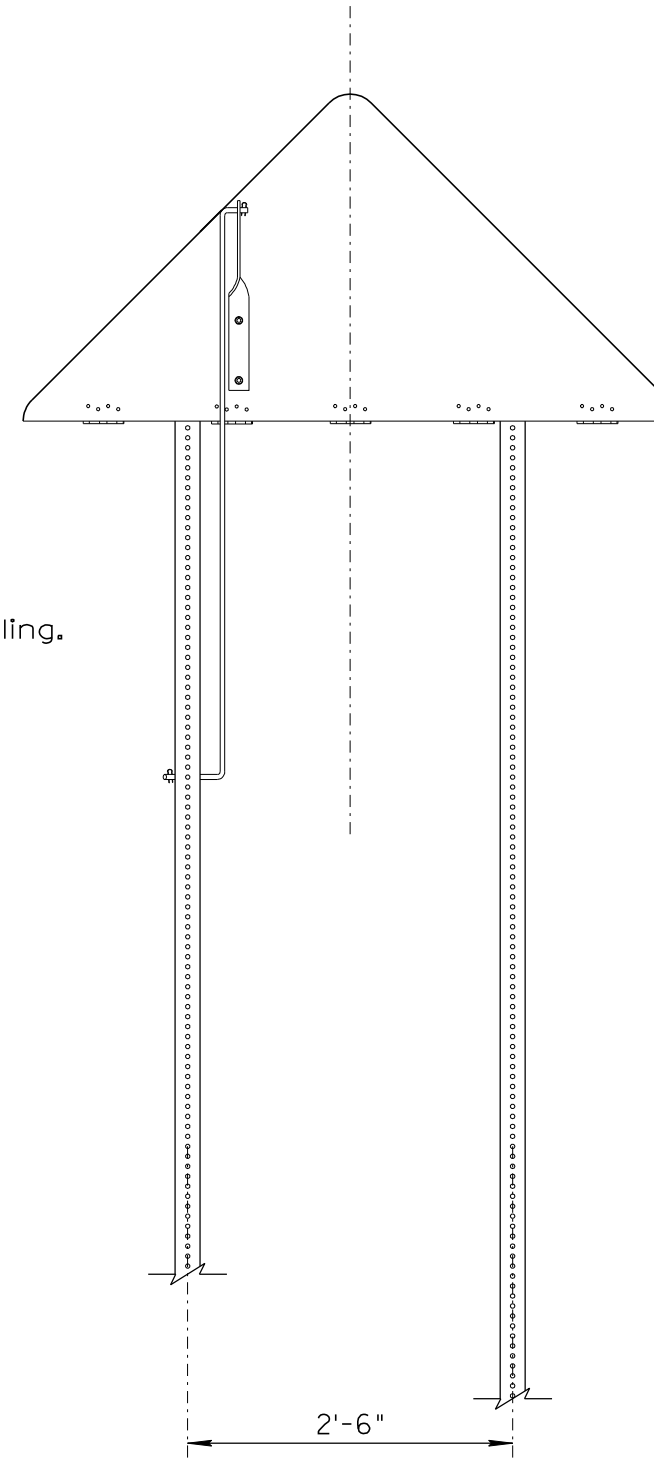


REAR ELEVATION - OPEN

Hinge at Horizontal Centerline

Avoid Drilling Through Sign Copy When Installing.

1/4" Steel Rod Locked with Pin, Length Varies



FRONT ELEVATION - CLOSED

NOTE:

- See Std Dwg S-3 for additional details.

SHEET 3 OF 3  
NOT TO SCALE

DESIGN APPROVED	ARIZONA DEPARTMENT OF TRANSPORTATION INTERMODAL TRANSPORTATION DIVISION TRAFFIC SIGNING & MARKING STANDARD DRAWINGS	REVISION	6/14
<b>SIGNATURES</b>		DRAWING NO.	S-15
APPROVED FOR DISTRIBUTION	FOLDING DIAMOND SIGN ASSEMBLY	SHEET NO.	3 of 3
<b>ON FILE</b>			