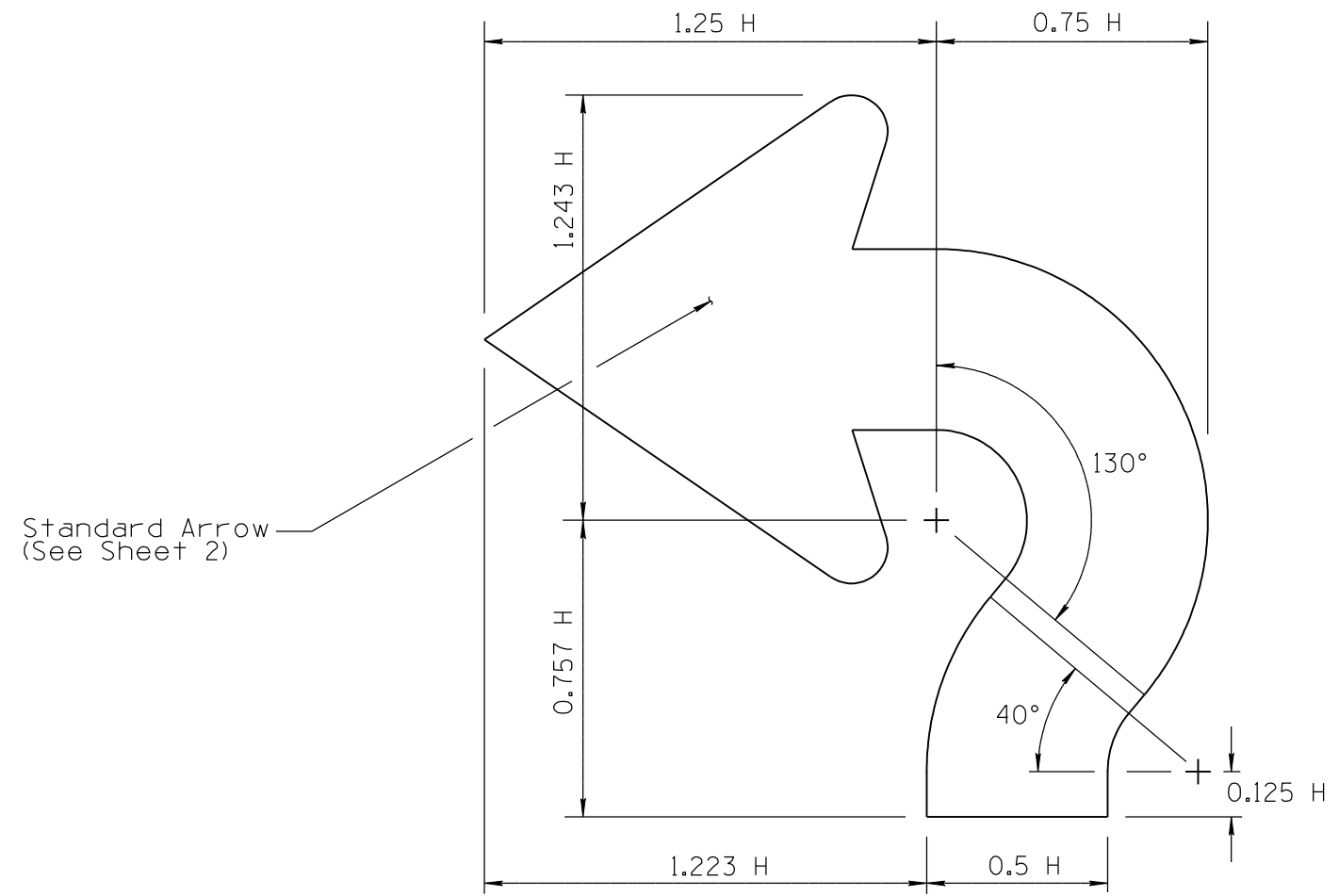


NO	DESCRIPTION OF REVISIONS	MADE BY	DATE	NO
1	NEW ISSUE	D.S. & L.L.	6/14	3
2				4



TYPE C2 ARROW

NOT TO SCALE

DESIGN APPROVED	ARIZONA DEPARTMENT OF TRANSPORTATION INTERMODAL TRANSPORTATION DIVISION TRAFFIC SIGNING & MARKING STANDARD DRAWINGS	REVISION	6/14
SIGNATURES		DRAWING NO.	S-12
APPROVED FOR DISTRIBUTION	C2 ARROW DETAIL	SHEET NO.	3 of 3
ON FILE			