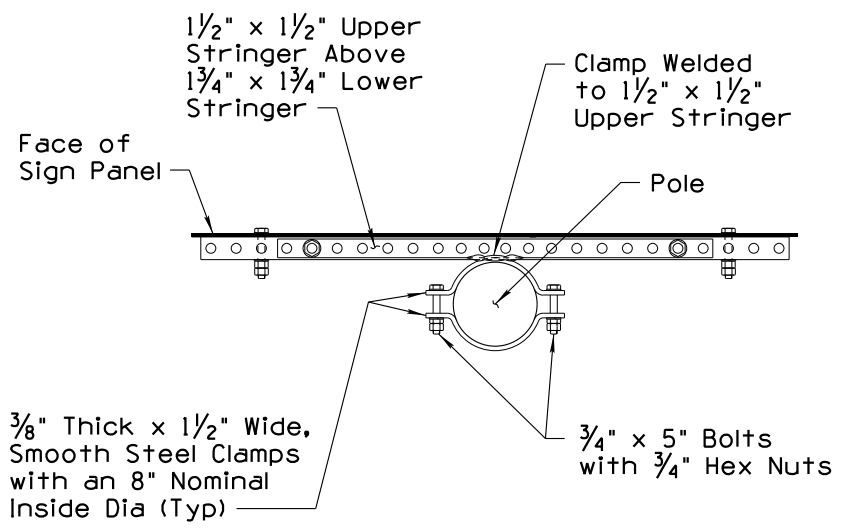
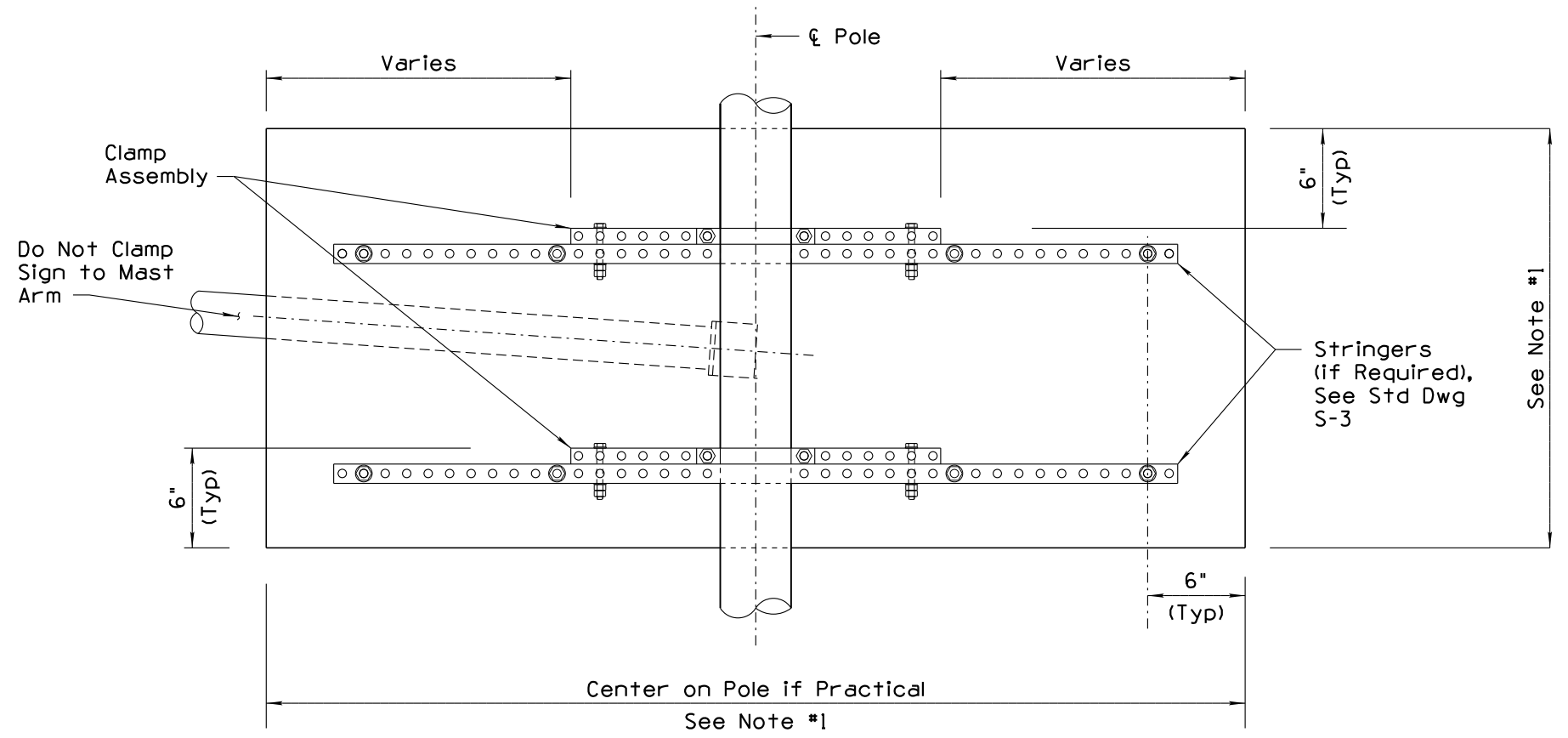


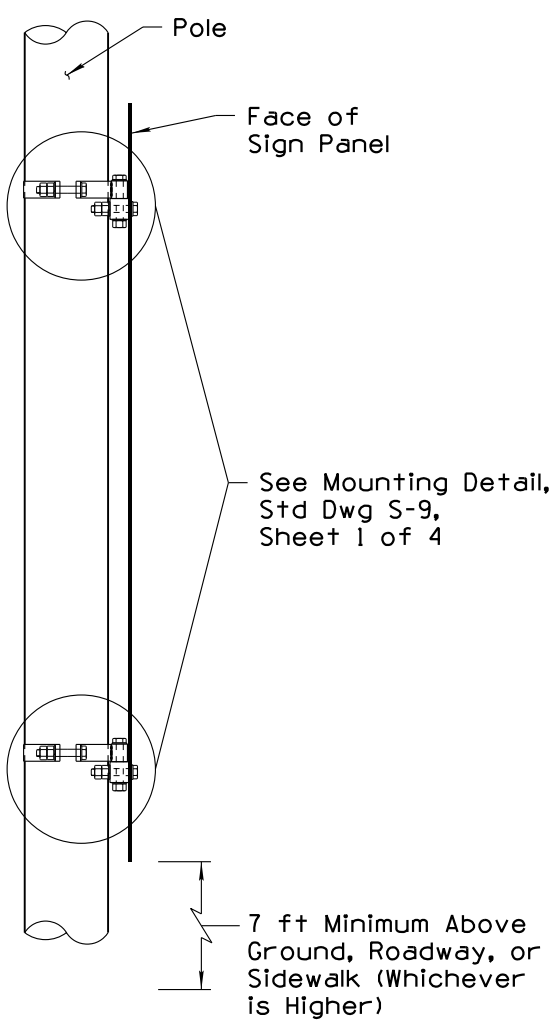
Note to Designer: The information presented in this Standard Drawing has been prepared in accordance with recognized engineering principles and is for general use. It should not be used for specific application without competent professional examination and verification of its suitability and applicability by a licensed professional engineer. Comments within the inner border line shall not be altered.



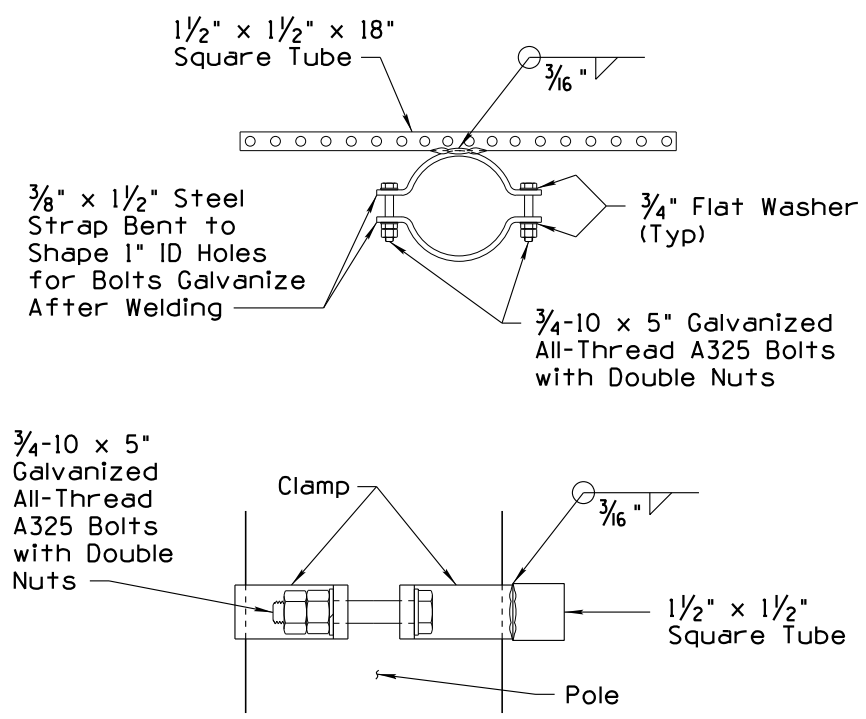
TOP VIEW



REAR VIEW



SIDE VIEW



CLAMP DETAIL

NOTES:

1. For sign panel dimensions see project plans.
2. Windbeam may be substituted for square tubing.
3. Clamping systems listed on the ADOT Approved Products List using a cable-type clamp may be substituted for standard clamps with the approval of the Engineer.

PRIOR DISTRIBUTION DATE 6/2014

STANDARDS ENGINEER H. LUNA	ARIZONA DEPARTMENT OF TRANSPORTATION INFRASTRUCTURE DELIVERY AND OPERATIONS DIVISION TRAFFIC SIGNING & MARKING STANDARD DRAWING	
RECOMMENDED FOR APPROVAL GROUP MANAGER M. HANNA	SIGN INSTALLATION ON SIGNAL POLE	DRAWING NO. S-9
APPROVED STANDARDS COMMITTEE APPROVED FOR DISTRIBUTION		8/2022 DATE
		3 of 4