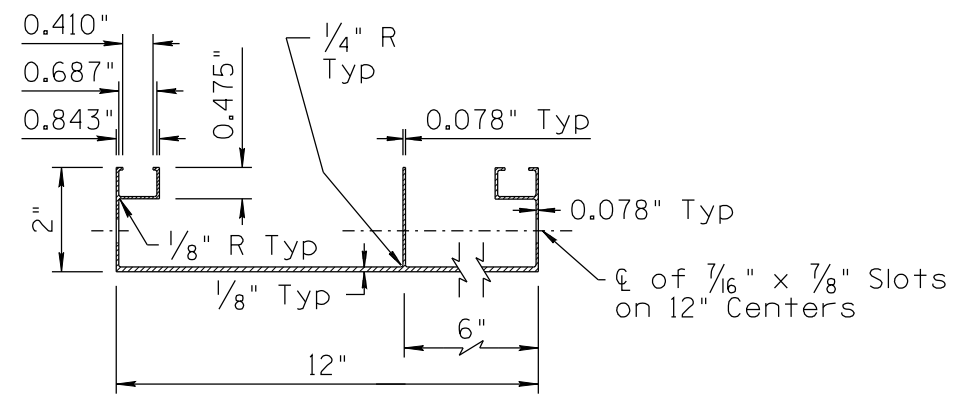
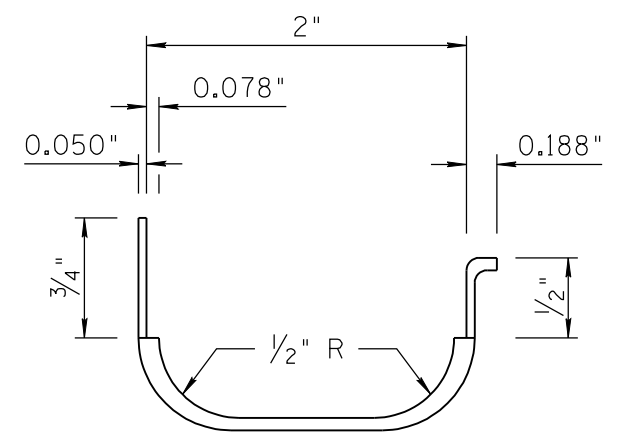


NO	DESCRIPTION OF REVISIONS	DATE	MADE BY
1	RE-ISSUE	2/02	L. LOPEZ
2	CORRECTIONS AND ADDITIONS	8/06	L. LOPEZ
3	REVISED DRAWING, CHANGE TEXT CASE, UPDATED BORDER.		
4			

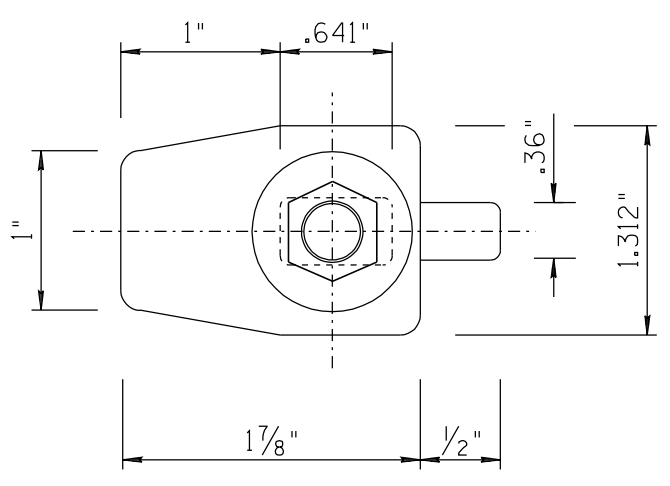


Weight per Linear ft = 2.69 Lbs Minimum
12" Extrusion

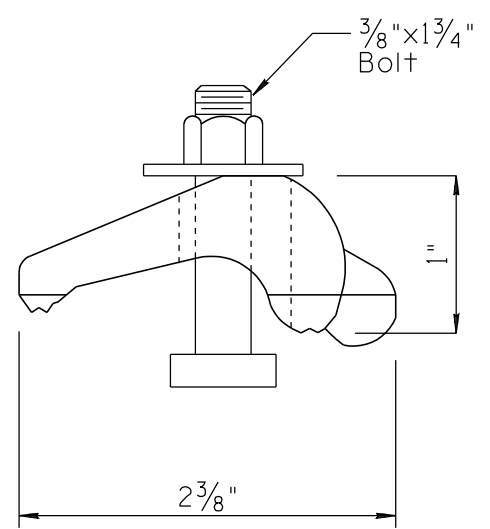
SECTION VIEW OF EXTRUSION



Weight per Linear ft = 0.276 Lbs
SIDE TRIM MOLDING DETAIL

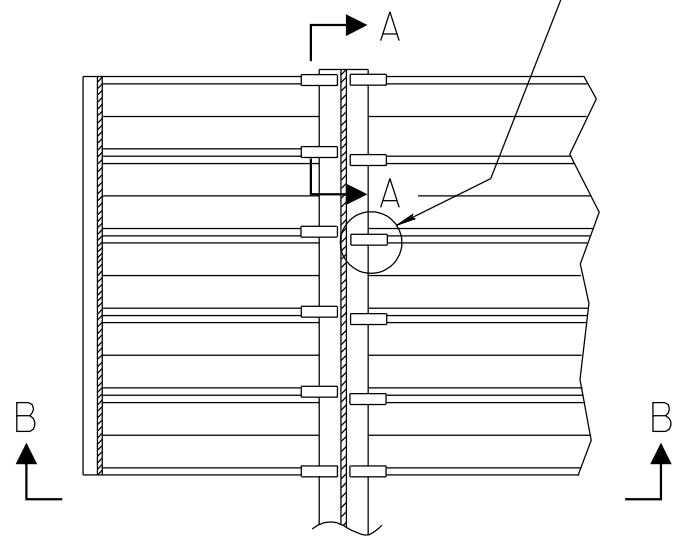


PLAN

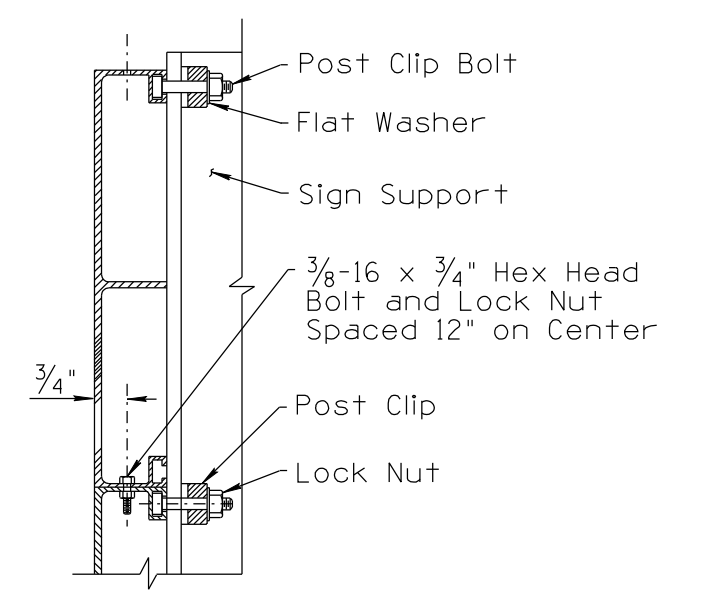


ELEVATION

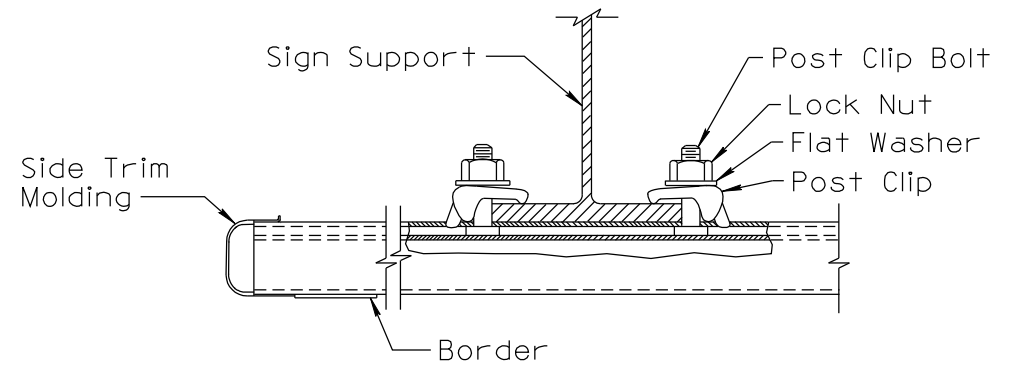
Install Two Post Clips at Each Junction of Extrusions And Vertical Support, One on Upper Extrusion and One on Lower Extrusion Where Extrusions Join One Another.



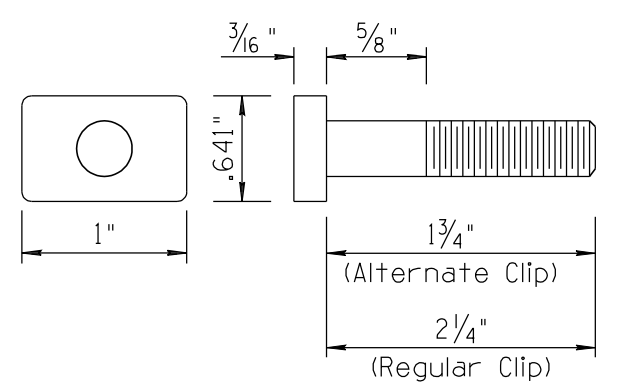
BACK ELEVATION OF SIGN PANEL



SECTION A-A
INSTALLATION DETAIL



SECTION B-B
INSTALLATION DETAIL



POST CLIP BOLT DETAIL

NOTE:

All bolts, washers and lock nuts shall be aluminum alloy, stainless steel, or plated steel.

NOT TO SCALE

DESIGN APPROVED	ARIZONA DEPARTMENT OF TRANSPORTATION INTERMODAL TRANSPORTATION DIVISION TRAFFIC SIGNING & MARKING STANDARD DRAWINGS	REVISION 6/14
SIGNATURES		DRAWING NO. S-7
APPROVED FOR DISTRIBUTION	ALUMINUM EXTRUSION SIGN PANEL DETAILS	SHEET NO. 1 of 3
ON FILE		