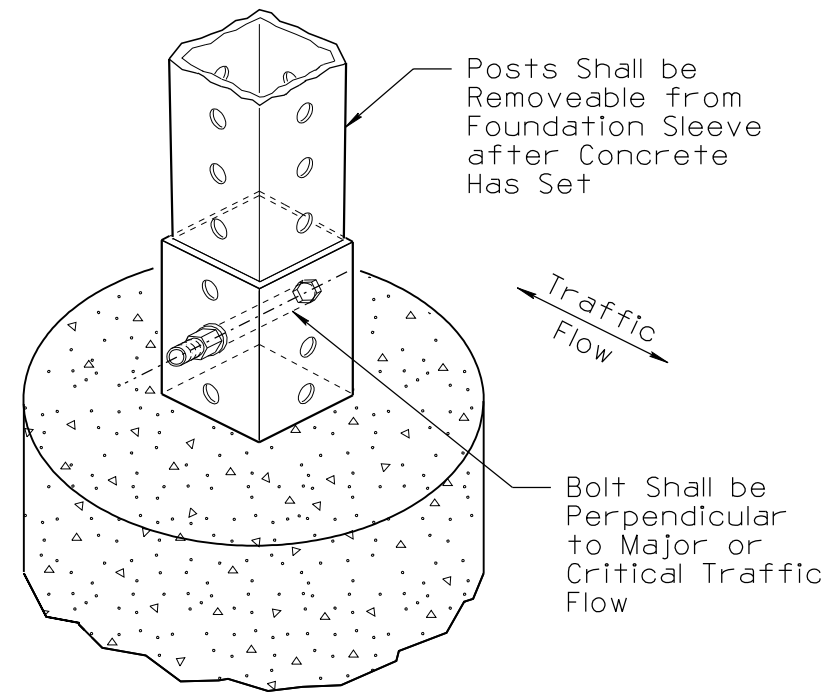
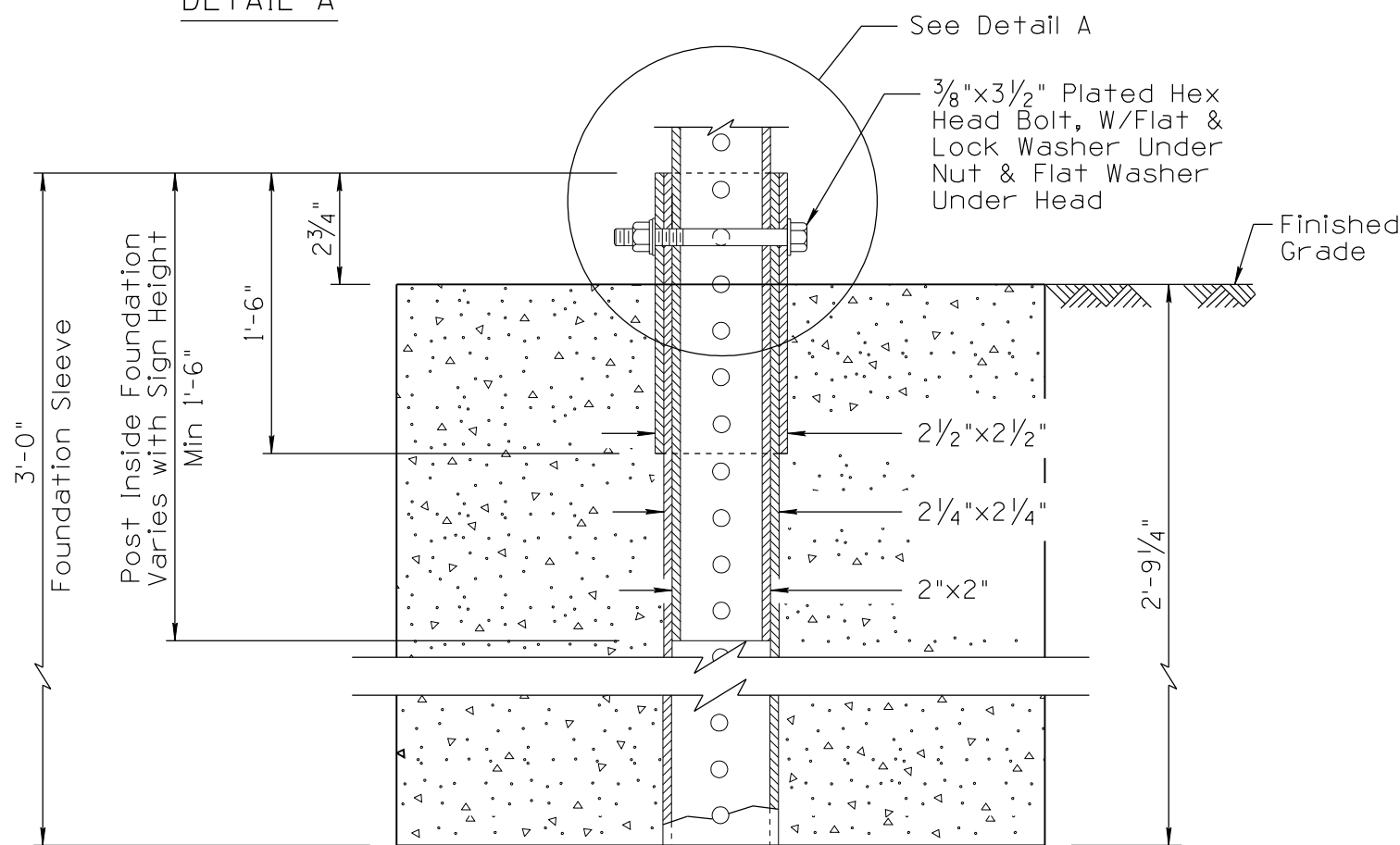


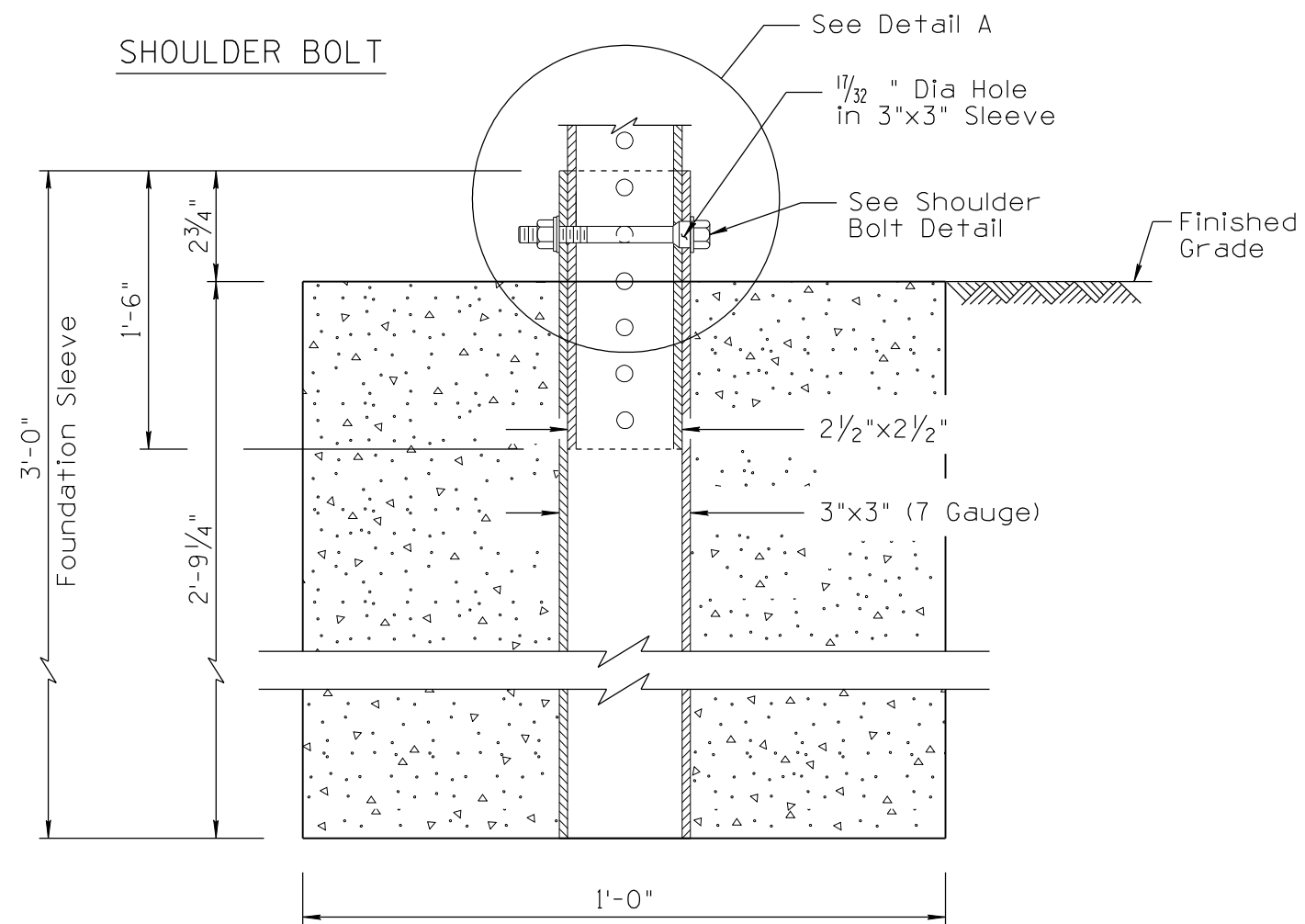
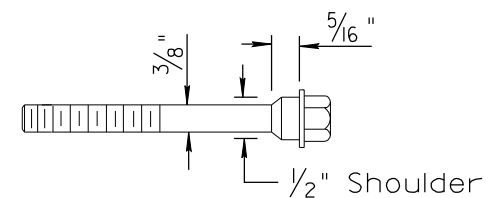
NO	DESCRIPTION OF REVISIONS	DATE	MADE BY
1	RE-ISSUE	2/02	L. LOPEZ
2	RE-DESIGN	5/03	M. ZUBI
3	NOTE #2 SPELLING CORRECTIONS	2/02	L. LOPEZ
4	REVISED DRAWING, CHANGED TEXT TO UPPER AND LOWER CASE. ADDED NEW BORDER.	5/03	M. ZUBI
	DESCRIPTION OF REVISIONS		
	MADE BY		
	L. LOPEZ		
	M. ZUBI		
	DATE		
	2/02		
	5/03		
	NO		
	3		
	4		
	MADE BY		
	L. LOPEZ		
	L. LOPEZ		
	DATE		
	5/06		
	6/14		



DETAIL A



2" SINGLE POST CONCRETE FOUNDATION DETAIL
IN WEAK SOILS



2 1/2" SINGLE POST CONCRETE FOUNDATION DETAIL
IN WEAK SOILS

NOTES:

- For estimating purposes; concrete quantity per post is 0.09 cubic yards for 1 foot diameter foundations.

NOT TO SCALE

DESIGN APPROVED	ARIZONA DEPARTMENT OF TRANSPORTATION INTERMODAL TRANSPORTATION DIVISION TRAFFIC SIGNING & MARKING STANDARD DRAWINGS	REVISION 6/14
SIGNATURES		DRAWING NO. S-3
APPROVED FOR DISTRIBUTION	SQUARE TUBE SIGN POST FOUNDATION	SHEET NO. 15 of 16
ON FILE		