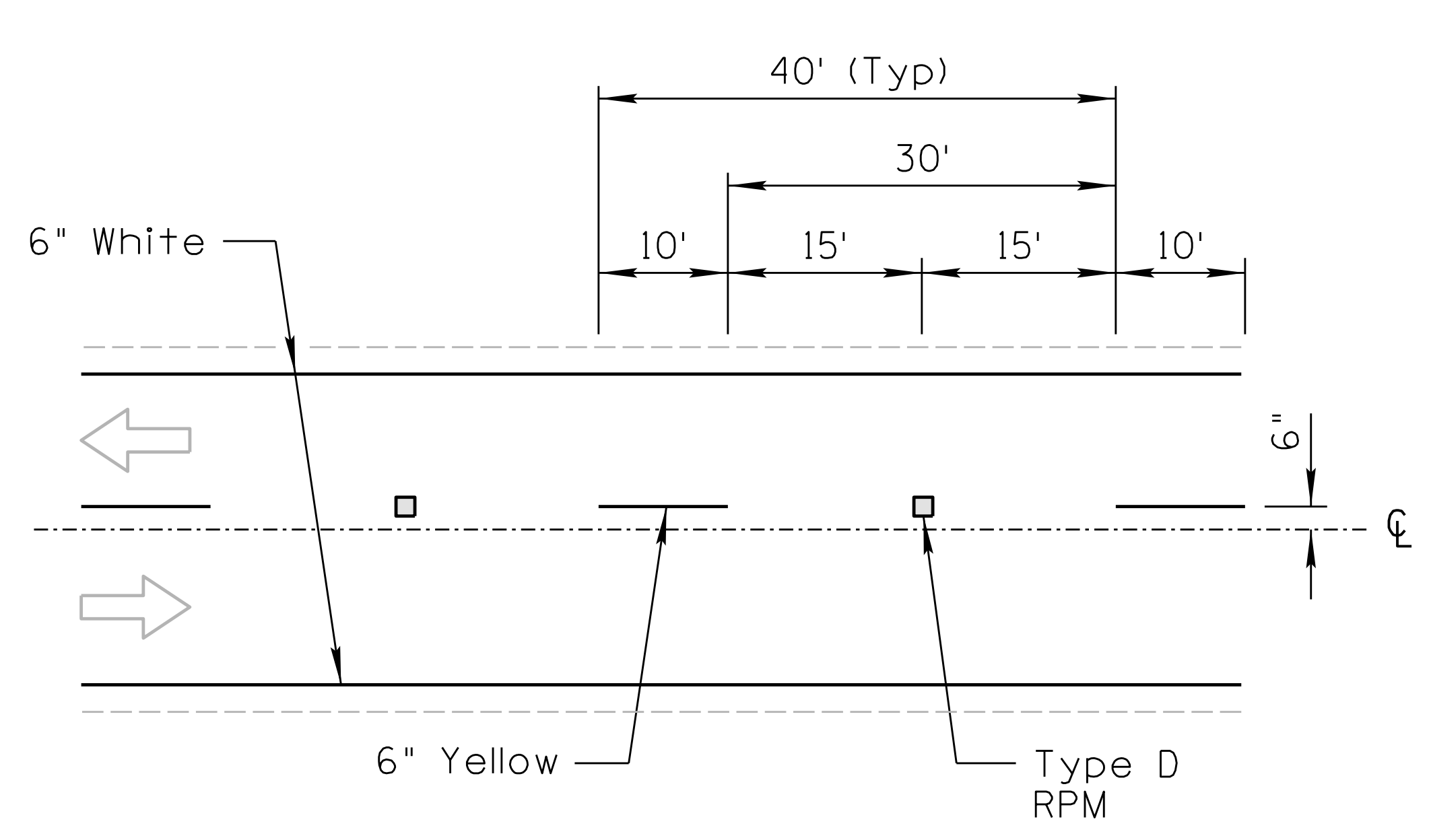
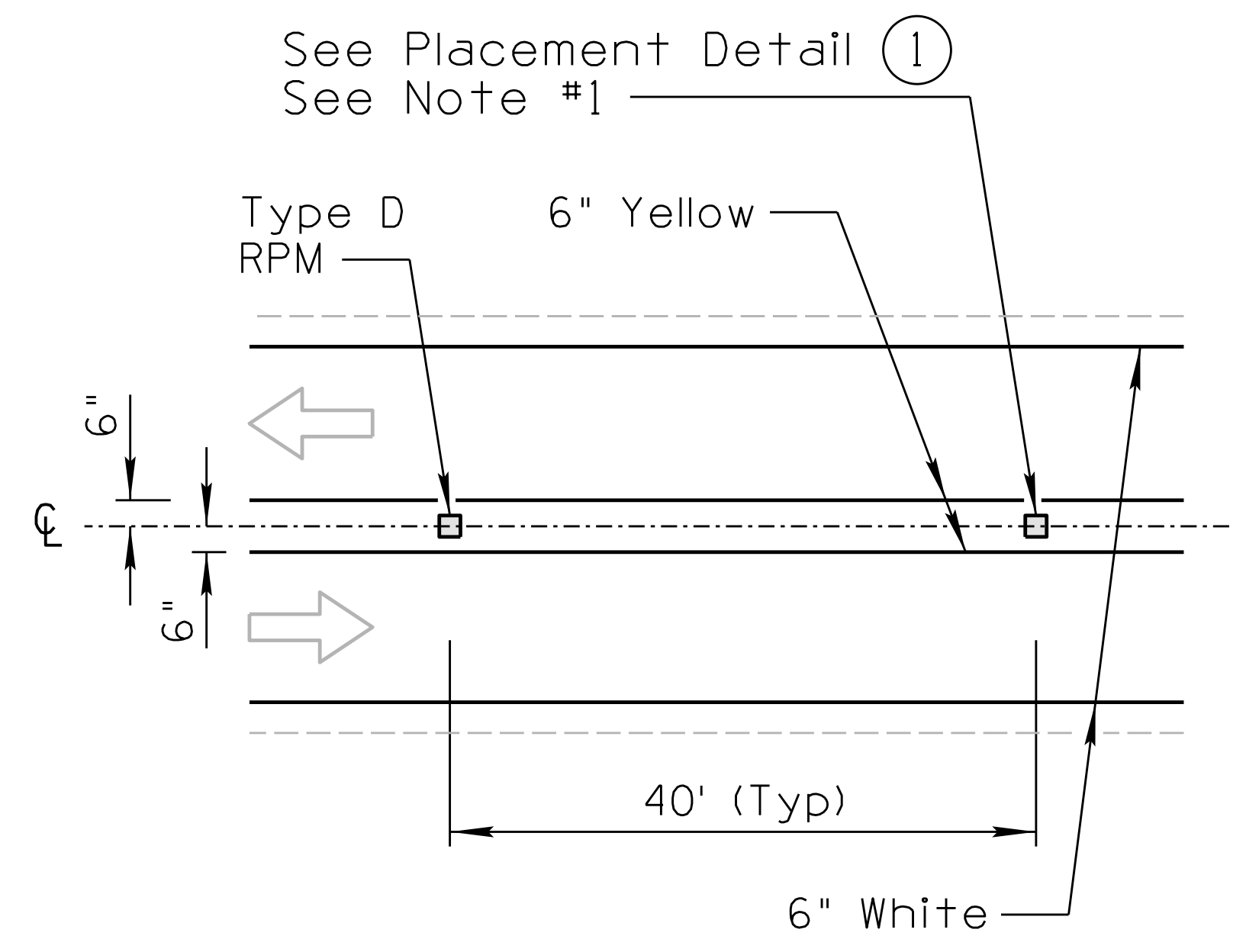


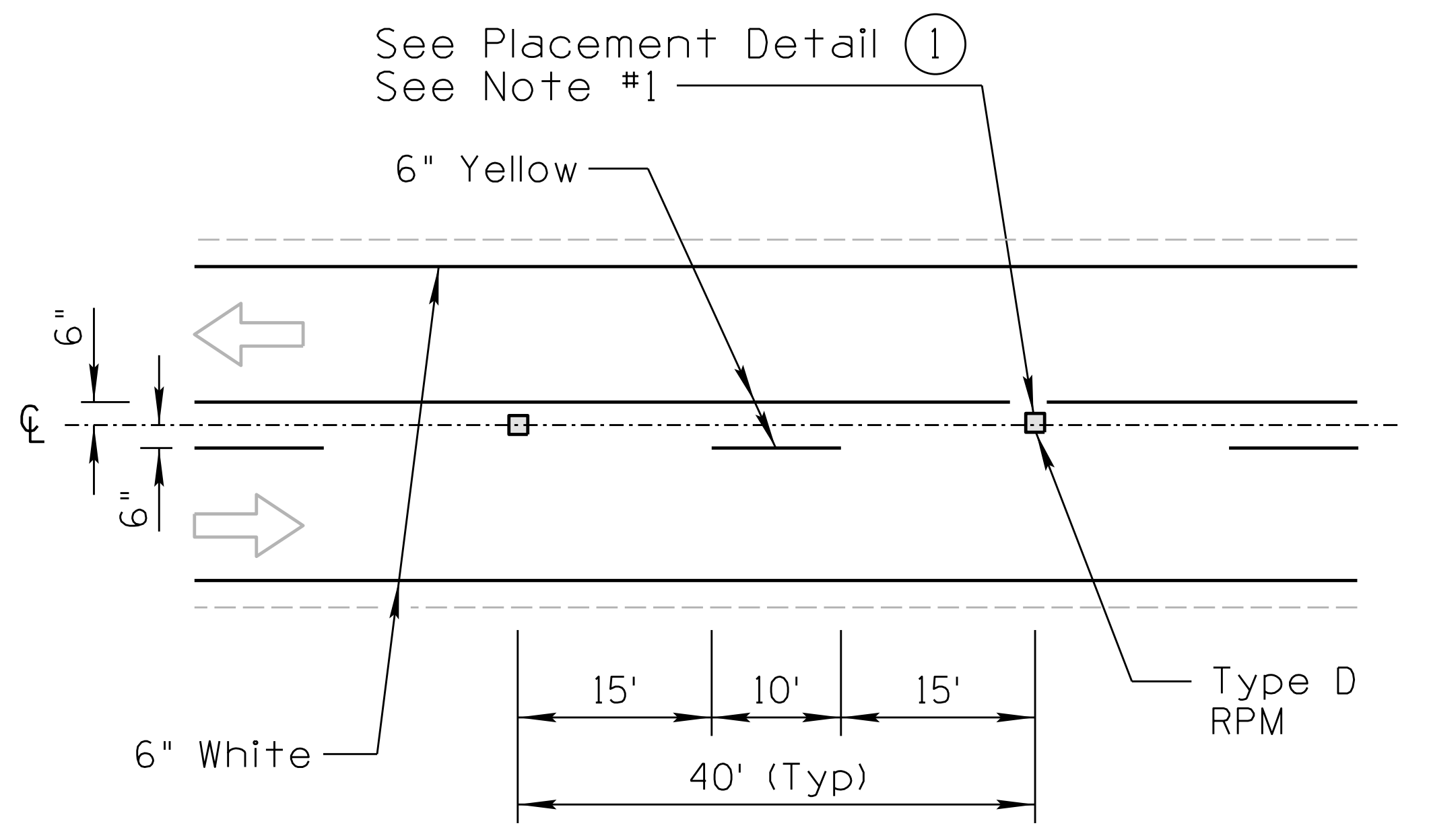
Note to Designer: The information presented in this Standard Drawing has been prepared in accordance with recognized engineering principles and is for general use. It should not be used for specific application without competent professional examination and verification of its suitability and applicability by a licensed professional engineer. Contents within the inner border line shall not be altered.



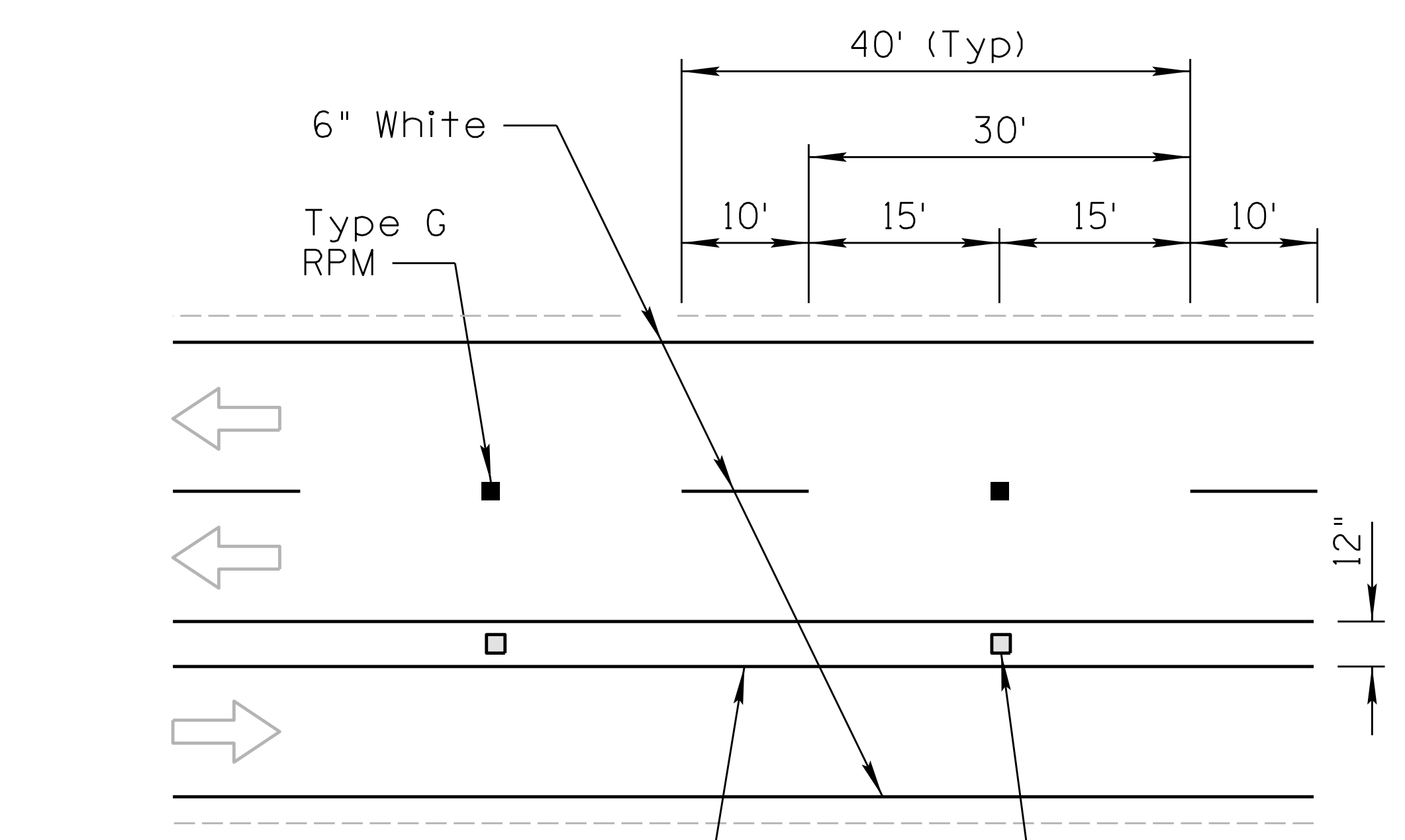
TWO-WAY PASSING ZONE
 Direction Of Increasing Mile Posts →



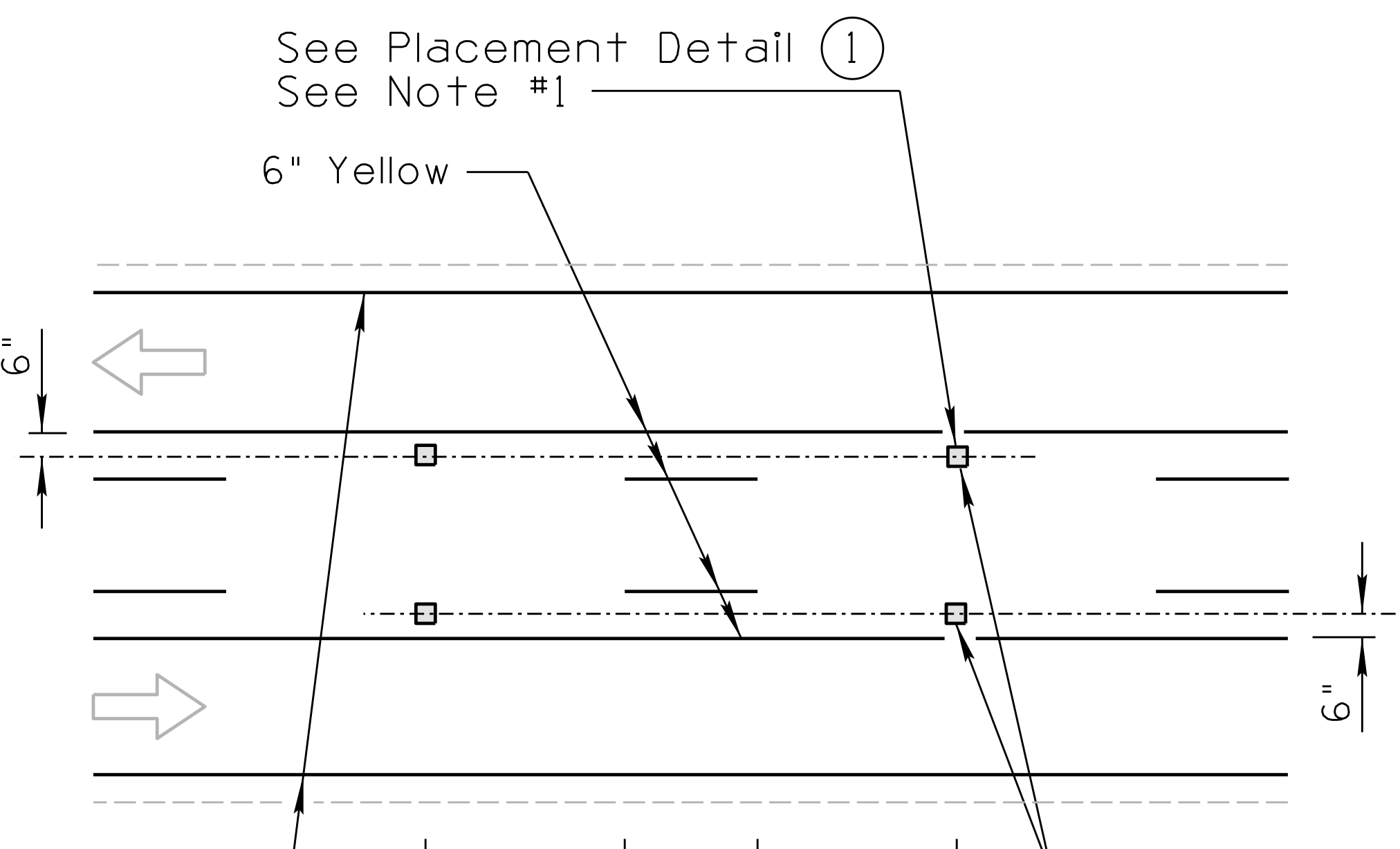
NO PASSING ZONE



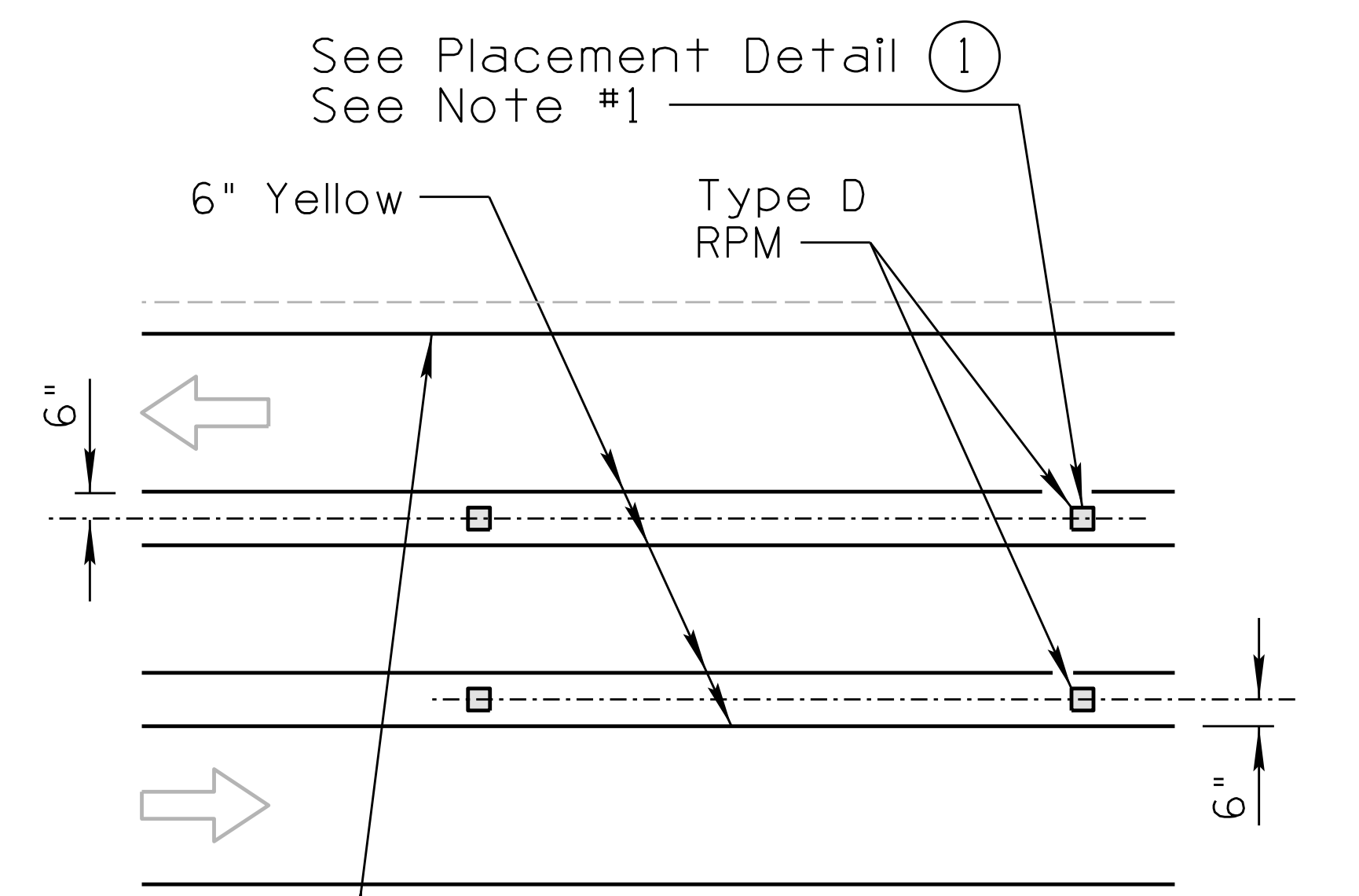
PASSING ONE-SIDE



PASSING/CLIMBING LANE



TWO-WAY LEFT-TURN LANE



STRIPED MEDIAN

NOTES:

1. Placement detail ① is shown on sheet 9 of this standard drawing.
2. Dimensions are measured to the center of all striping unless noted otherwise.

STANDARDS ENGINEER R. MOEUR	ARIZONA DEPARTMENT OF TRANSPORTATION INFRASTRUCTURE DELIVERY AND OPERATIONS DIVISION TRAFFIC SIGNING AND MARKING STANDARD DRAWINGS
RECOMMENDED FOR APPROVAL GROUP MANAGER M. HANNA	
APPROVED STANDARDS COMMITTEE APPROVED FOR DISTRIBUTION	DATE 06/2014

DRAWING NO. M-19 Sheet 6 of 11

PRIOR DISTRIBUTION DATE 06/2008