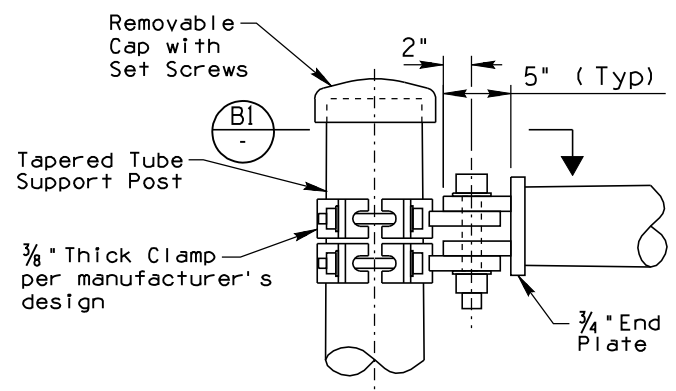
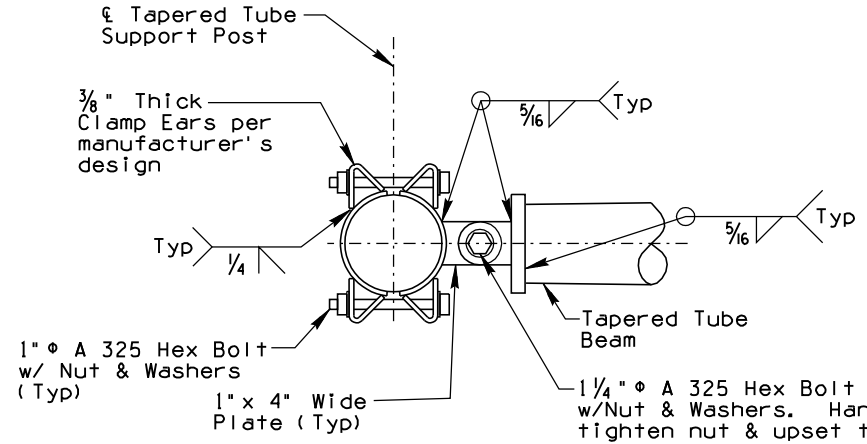


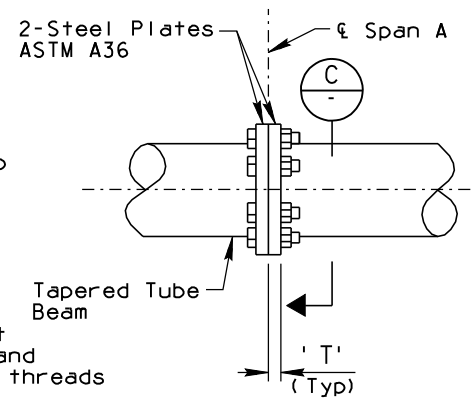
NO	DESCRIPTION OF REVISIONS	MADE BY	DATE
1	ORIGINAL ISSUE	BAKER E&E	7/04
2			
3			
4			



BEAM SUPPORT DETAIL - ALTERNATE 1

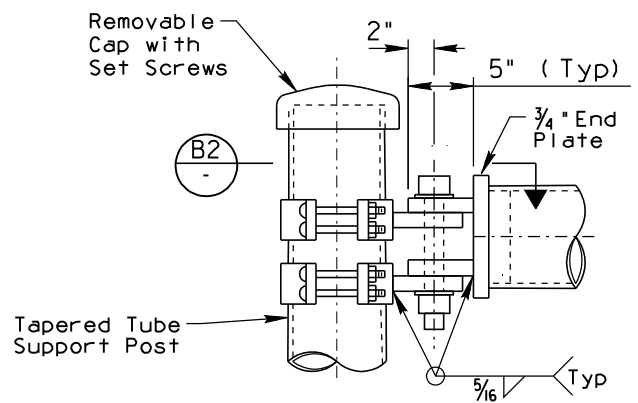


SECTION B1

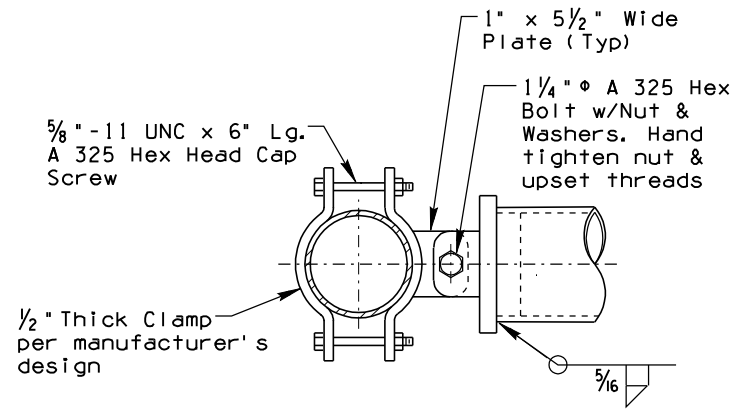


SPLICE PLATE DETAIL

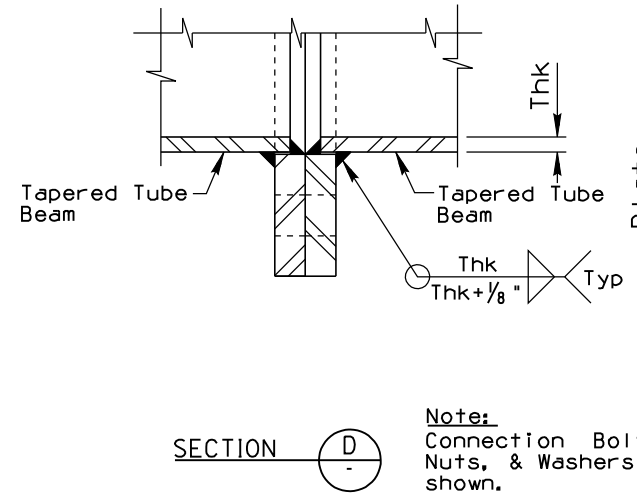
WELDING NOTES:
Welding of structural tubing shall conform to the requirements of the American Welding Society, Structural Welding Code, Latest Edition. All other welding shall conform to the requirements of the American Welding Society D1.1 Welding Code. All welding shall be continuous unless noted otherwise. All butt welds shall be full penetration using prequalified welding procedures and shall be inspected by ultrasonic testing. All butt welds shall be ground flush with base material.



BEAM SUPPORT DETAIL - ALTERNATE 2



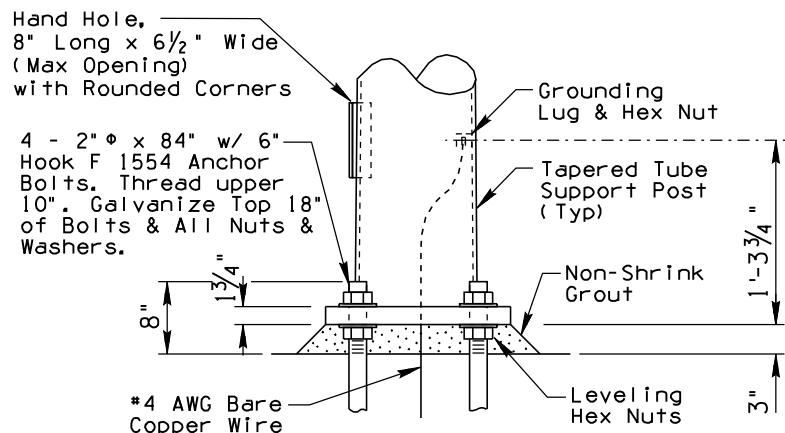
SECTION B2



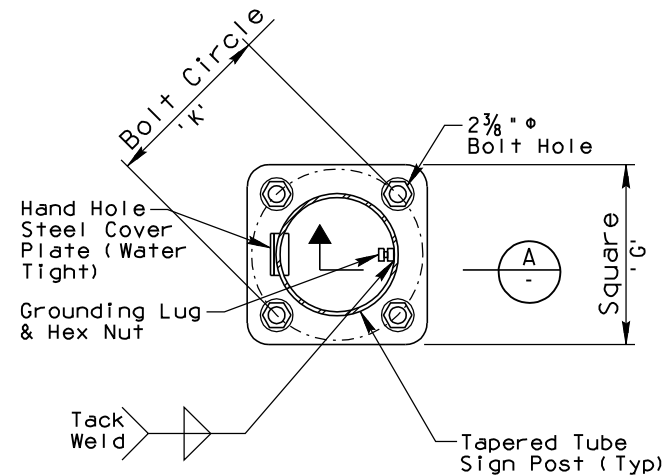
SECTION D

Note:
Connection Bolts, Nuts, & Washers not shown.

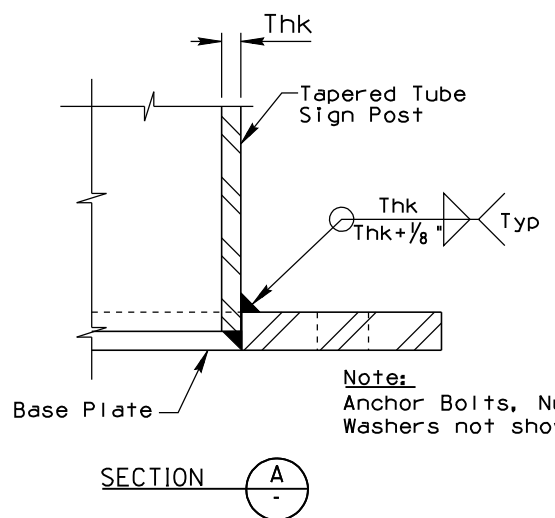
SECTION C



SUPPORT POST BASE PLATE DETAIL

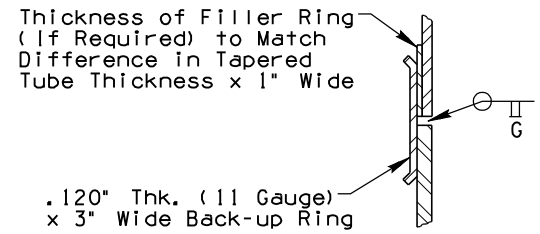


SUPPORT POST BASE PLATE PLAN



SECTION A

Note:
Anchor Bolts, Nuts, & Washers not shown.



SPLICE DETAIL (OPTIONAL)

SHEET 4 OF 4
NOT TO SCALE

DESIGN APPROVED	ARIZONA DEPARTMENT OF TRANSPORTATION INTERMODAL TRANSPORTATION DIVISION STANDARD DRAWINGS	REV. 7/04
APPROVED FOR DISTRIBUTION	TAPERED TUBE SIGN STRUCTURE SINGLE BEAM POST AND BEAM DETAILS	DRAWING NO. S-11