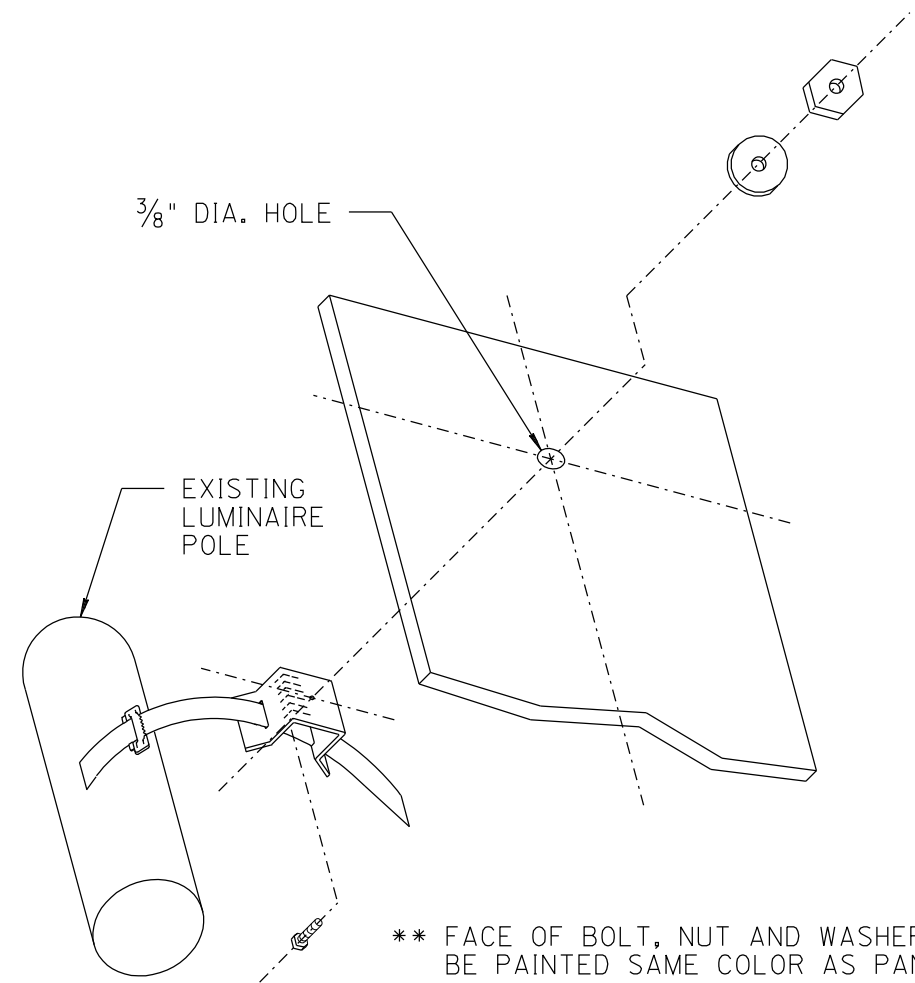
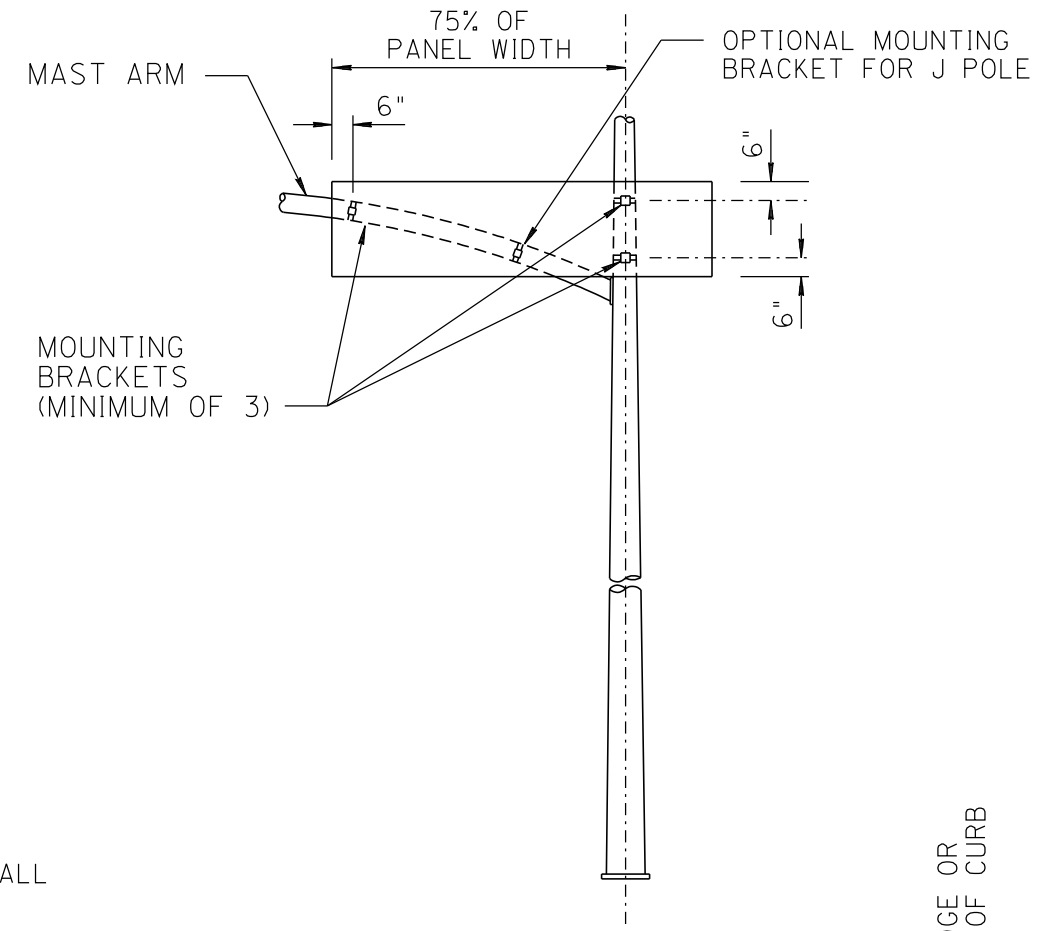


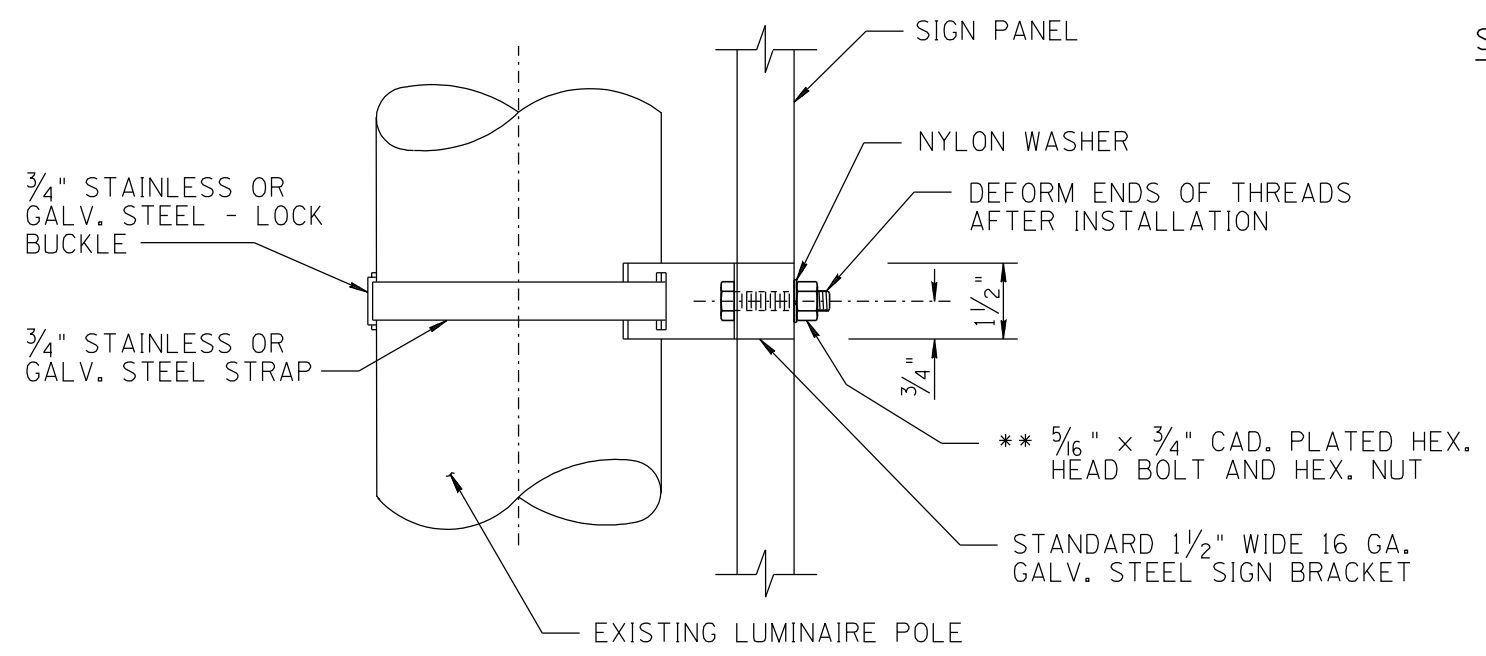
NO	DESCRIPTION OF REVISIONS	MADE BY	DATE
1	RE-ISSUE	L. LOPEZ	2/02
2			
3			
4			



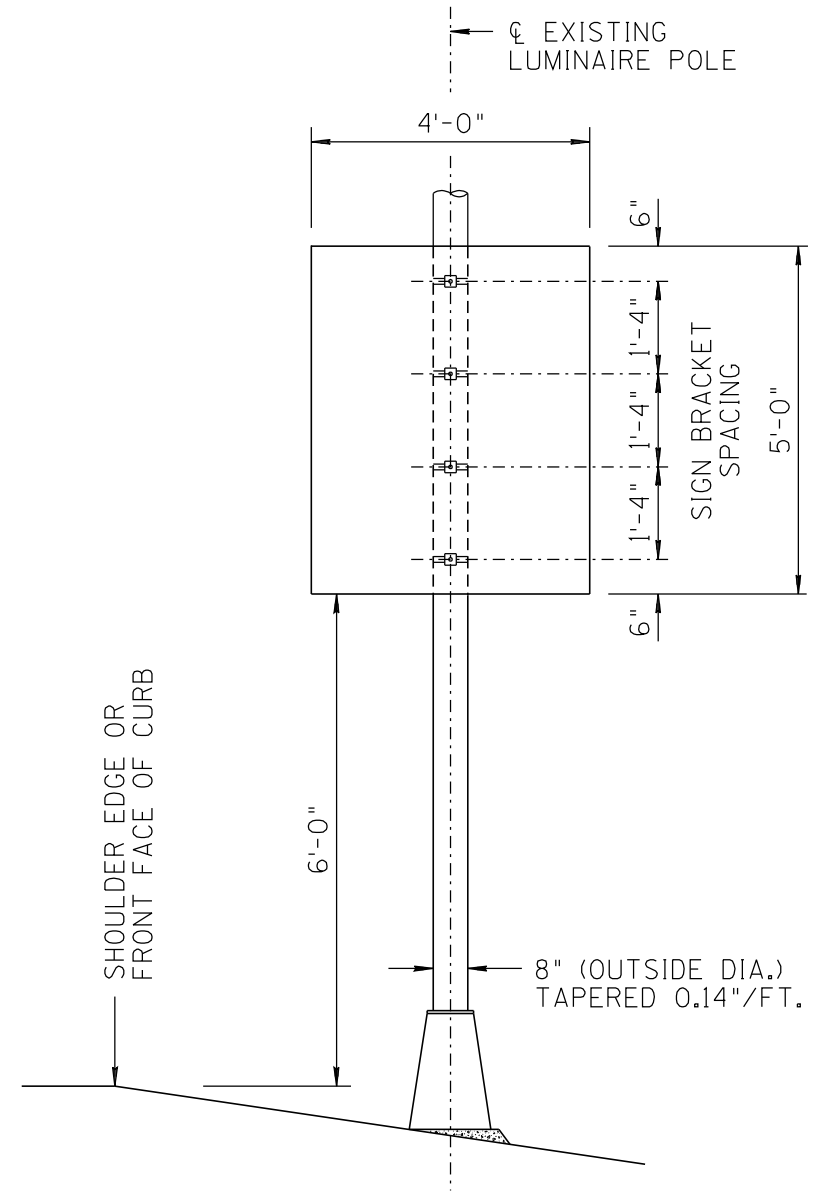
\*\* FACE OF BOLT, NUT AND WASHER SHALL BE PAINTED SAME COLOR AS PANEL.



D3, STREET NAME SIGN, ON SIGNAL POLE MOUNTING DETAIL



SIGN MOUNTING BRACKET INSTALLATION



TYPICAL INSTALLATION OF SIGN NO. W13-5 OR W13-6 ON LUMINAIRE POLE

SHEET 3 OF 3  
NOT TO SCALE

	DESIGN APPROVED	ARIZONA DEPARTMENT OF TRANSPORTATION INTERMODAL TRANSPORTATION DIVISION STANDARD DRAWINGS	REV. 2/02
	APPROVED FOR DISTRIBUTION	SIGN INSTALLATION ON POLE	DRAWING NO. S-9