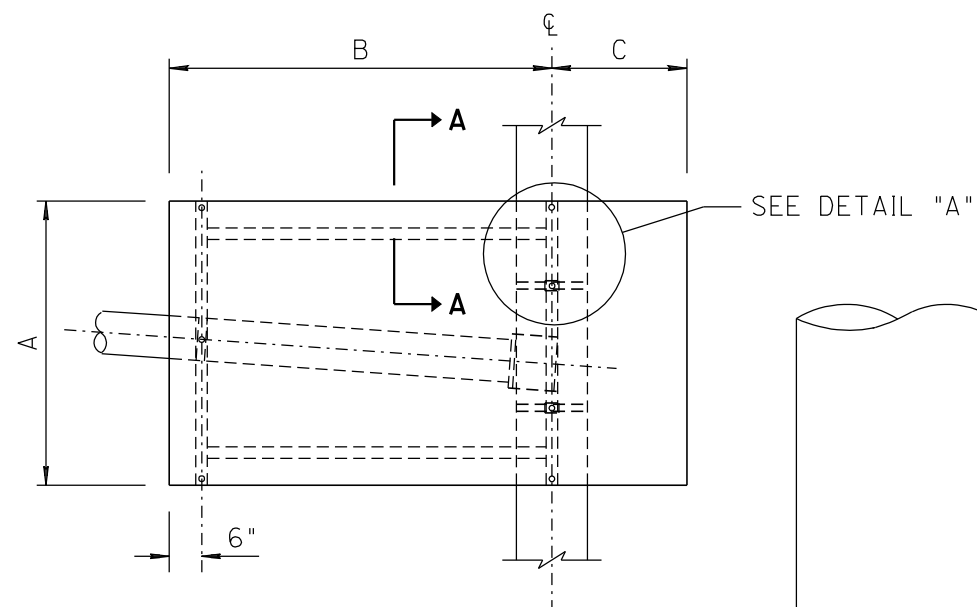
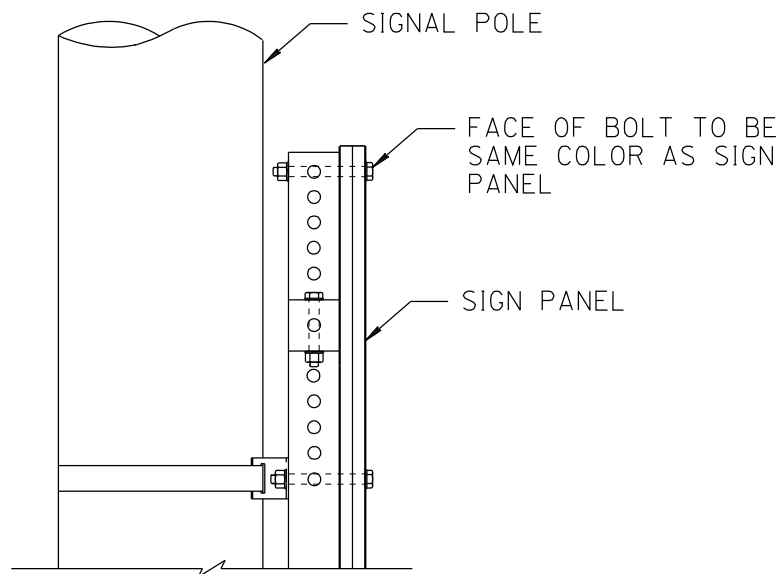


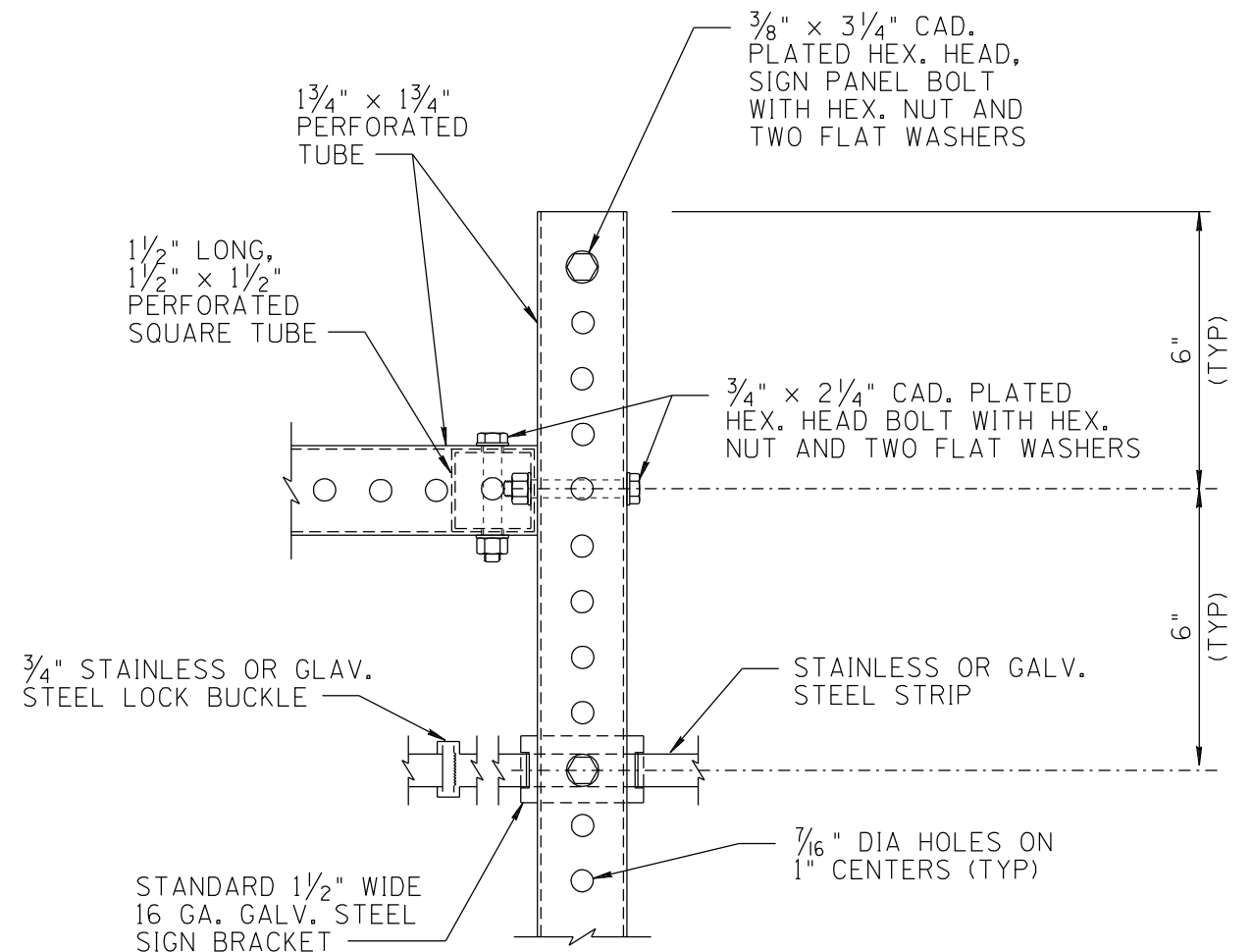
NO	DESCRIPTION OF REVISIONS	MADE BY	DATE
1	RE-ISSUE	L. LOPEZ	2/02
2			
3			
4			



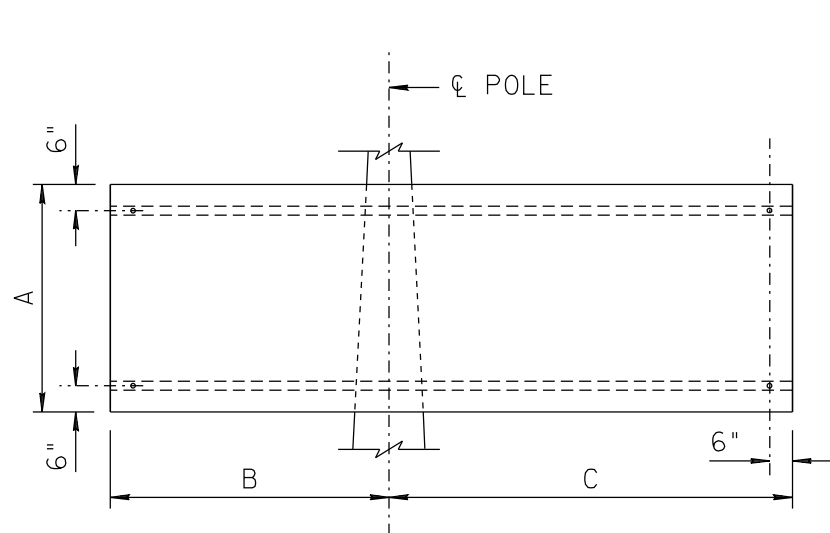
ATTACHMENT OF GUIDE SIGN (TYPE I)
TO SIGNAL POLE



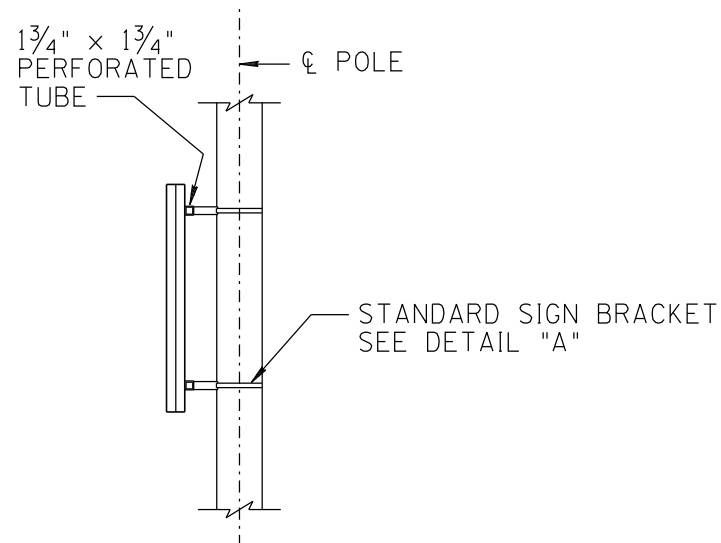
SECTION "A-A"



DETAIL "A"



ATTACHMENT OF GUIDE SIGN (TYPE II)
TO SIGNAL POLE



NOTE:

FOR DIMENSIONS A, B AND C, SEE PROJECT PLANS.

SHEET 2 OF 3
NOT TO SCALE

DESIGN APPROVED	ARIZONA DEPARTMENT OF TRANSPORTATION INTERMODAL TRANSPORTATION DIVISION STANDARD DRAWINGS	REV.
APPROVED FOR DISTRIBUTION		2/02
SIGN INSTALLATION ON SIGNAL POLE		DRAWING NO. S-9