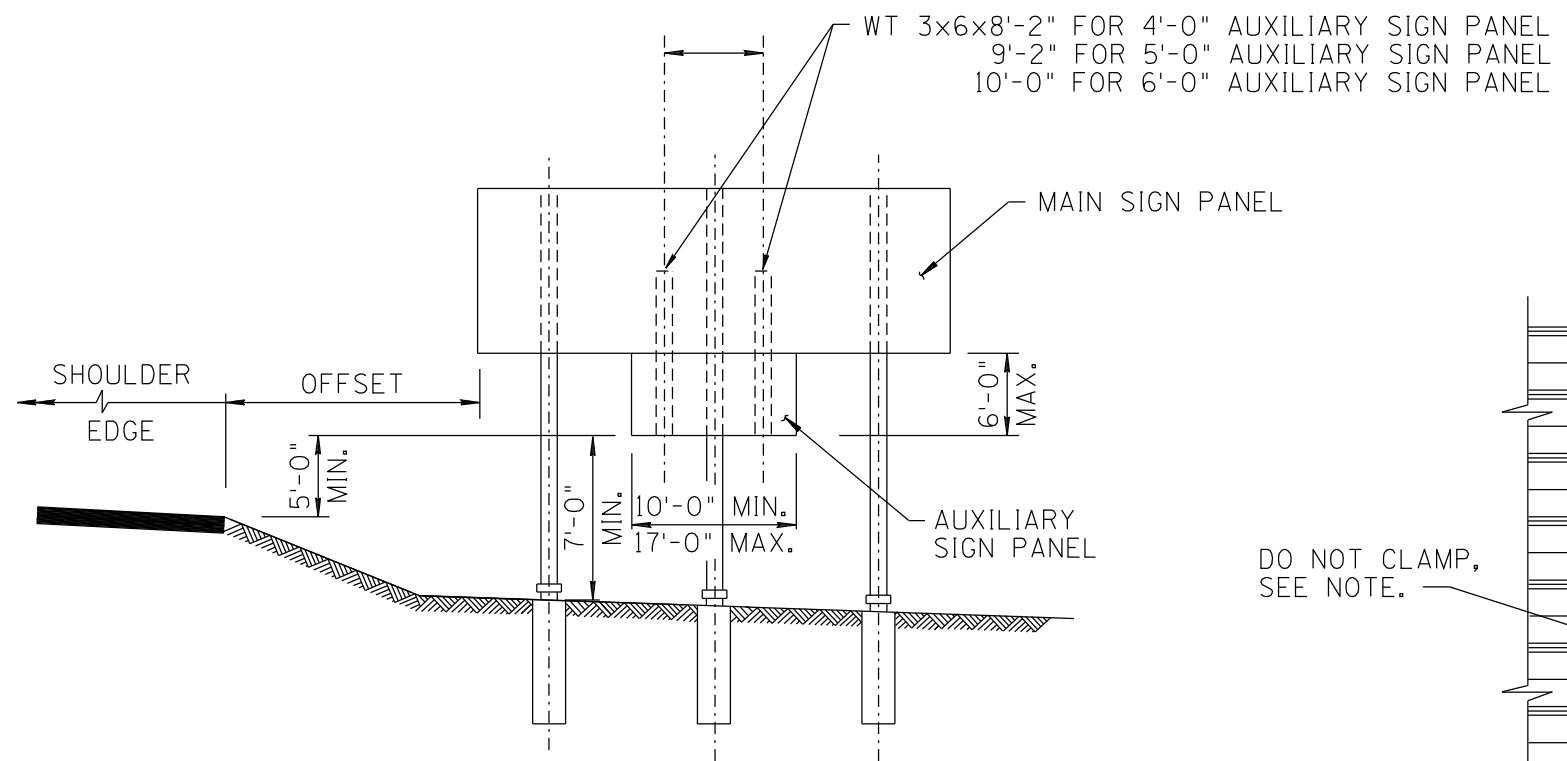
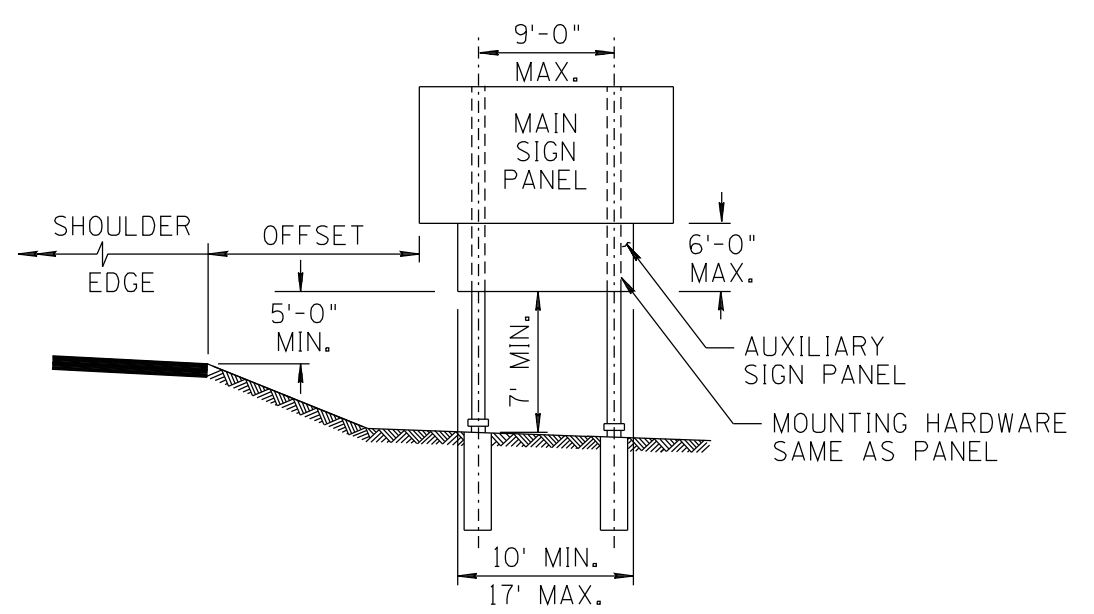


NO	DESCRIPTION OF REVISIONS	MADE BY	DATE
1	RE-ISSUE	L. LOPEZ	2/02
2	ADDED CALL OUT TO "REAR ELEVATION", REVISED NOTE	L. LOPEZ	6/06
3			
4			

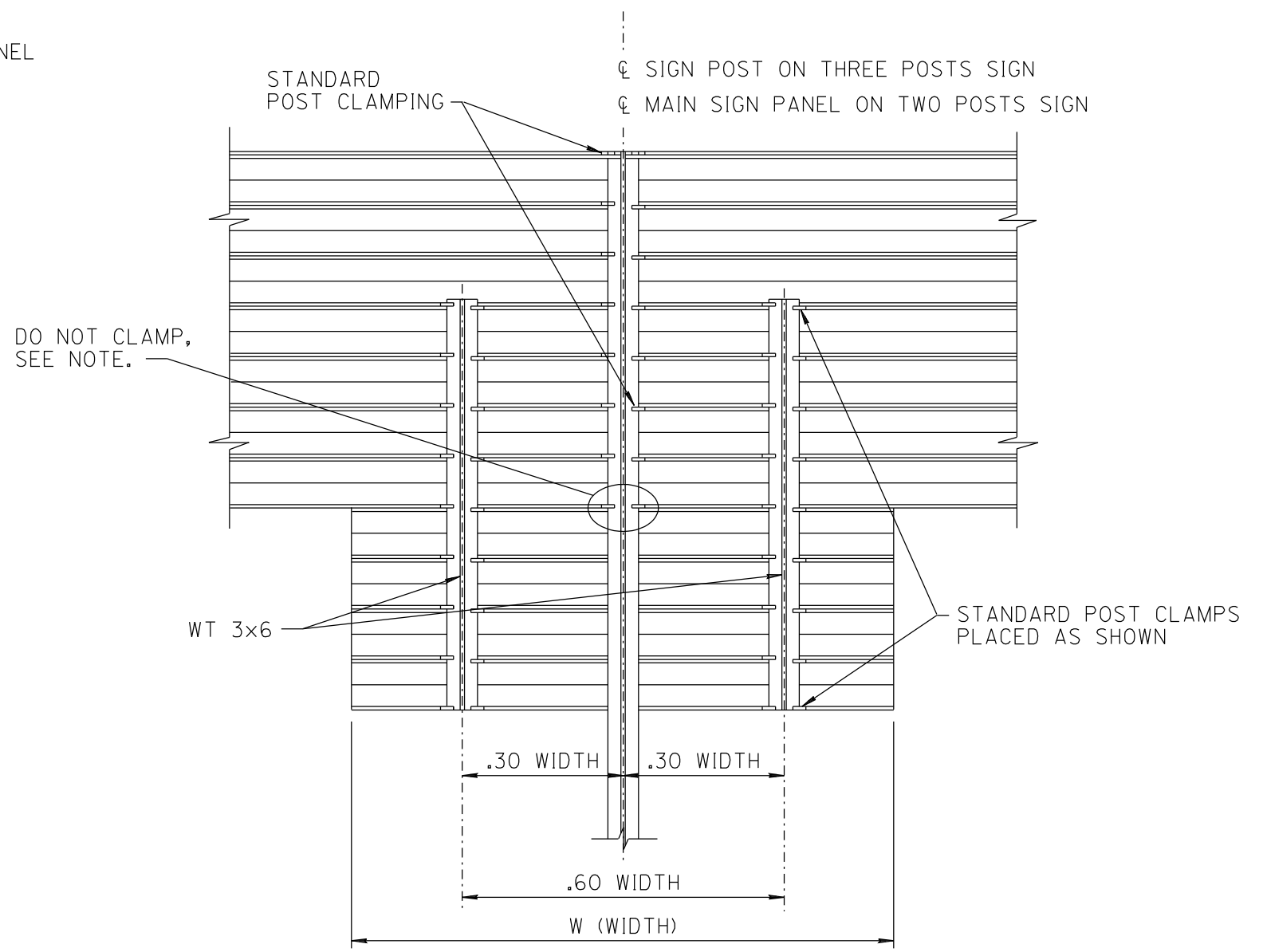


**THREE POSTS SIGN & TWO POST SIGN**  
 WITH SPACING GREATER THAN WIDTH OF AUXILIARY SIGNS MINUS 1'-0"



**TWO POSTS SIGN**  
 POST SPACING LESS THAN WIDTH OF AUXILIARY SIGNS MINUS 1'-0"

WT 3x6 SHALL BE A.S.T.M. A36/A36M-00 STEEL GALVANIZED TO CONFORM TO THE REQUIREMENTS OF A.S.T.M. A123/A123M-97a(1999)e1



**REAR ELEVATION**

**NOTE:**  
 DO NOT CLAMP AUXILIARY SIGN TO THE MIDDLE POST ON THREE POST SIGNS.

NOT TO SCALE

DESIGN APPROVED <b>APPROVED FOR DISTRIBUTION</b>	ARIZONA DEPARTMENT OF TRANSPORTATION INTERMODAL TRANSPORTATION DIVISION STANDARD DRAWINGS	REV. 6/06
	AUXILIARY SIGN INSTALLATION DETAILS	DRAWING NO. S-7