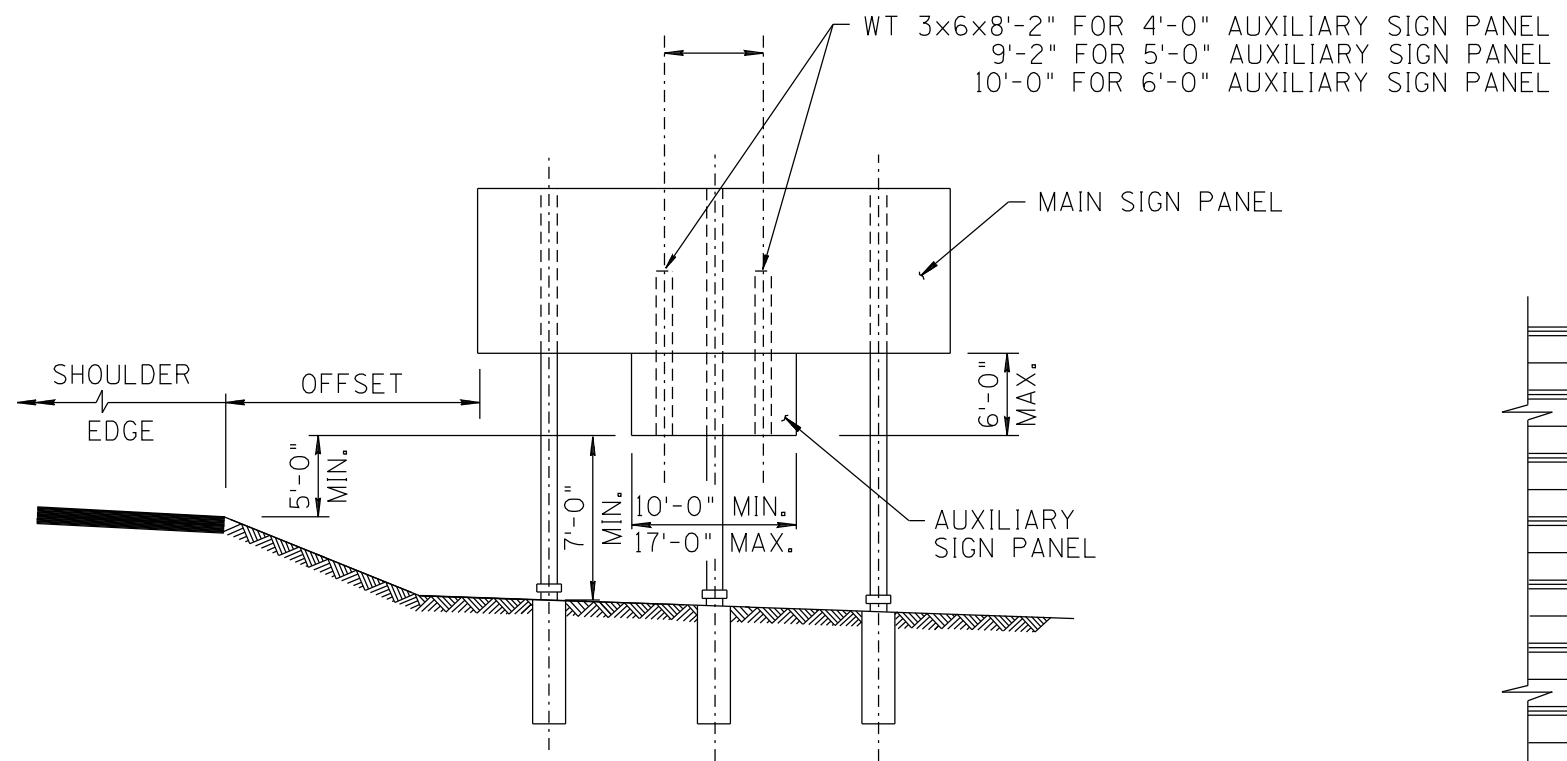
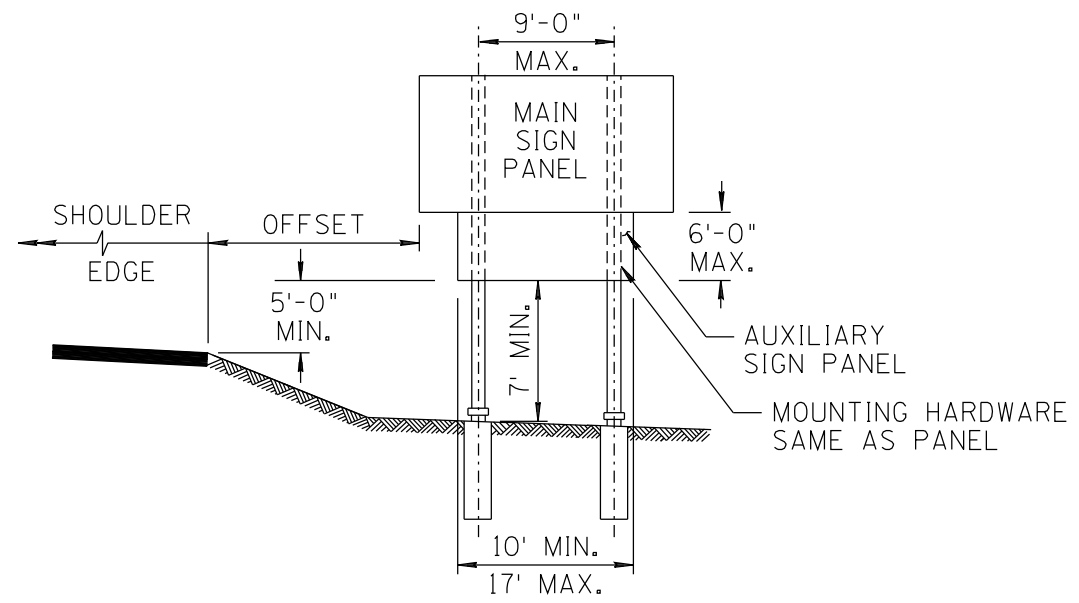


| NO | DESCRIPTION OF REVISIONS | MADE BY | DATE |
|----|--------------------------|----------|------|
| 1 | RE-ISSUE | L. LOPEZ | 2/02 |
| 2 | | | |
| 3 | | | |
| 4 | | | |

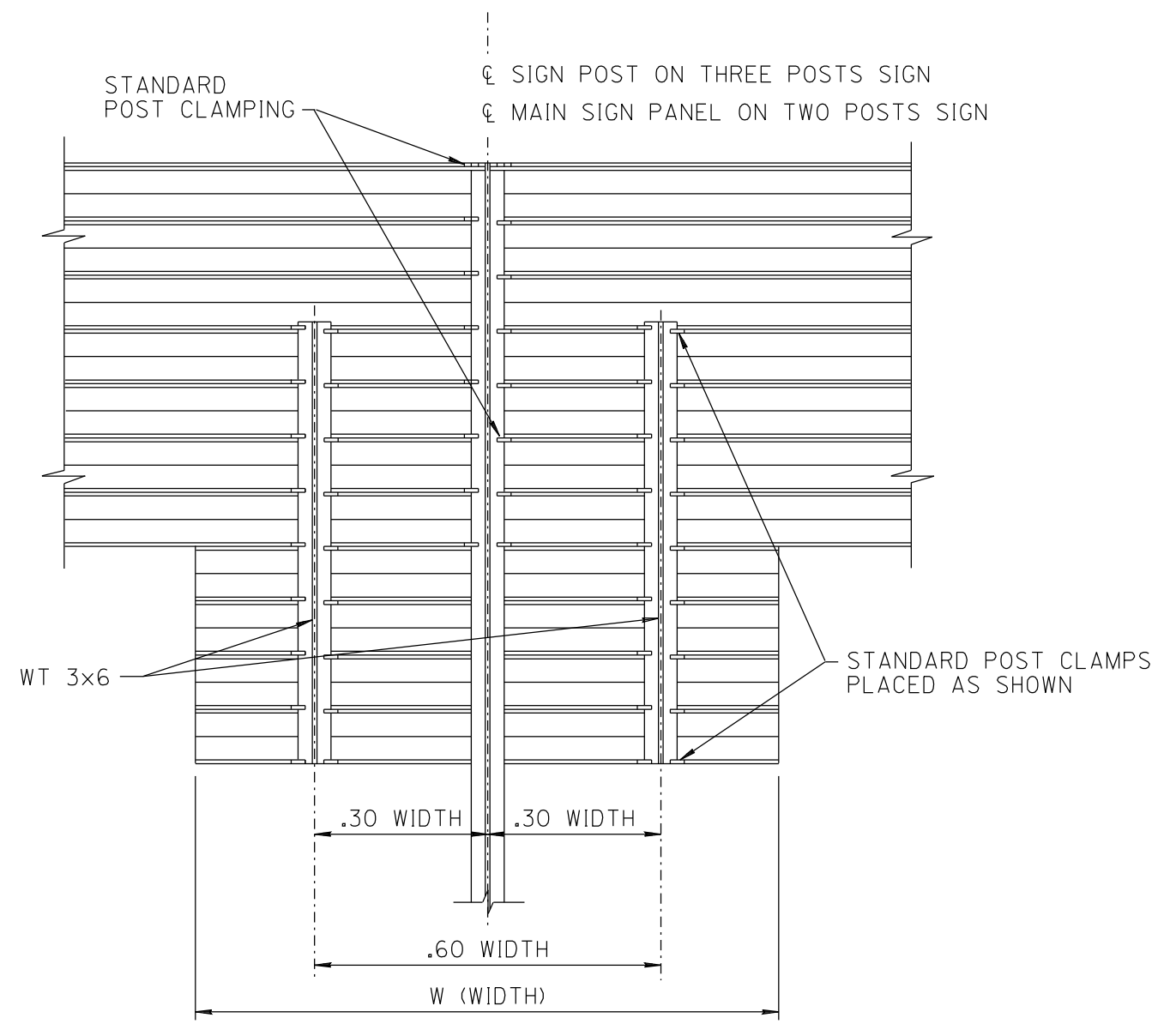


THREE POSTS SIGN & TWO POST SIGN
 WITH SPACING GREATER THAN WIDTH OF AUXILIARY SIGNS MINUS 1'-0"



TWO POSTS SIGN
 POST SPACING LESS THAN WIDTH OF AUXILIARY SIGNS MINUS 1'-0"

WT 3x6 SHALL BE A.S.T.M. A36/A36M-00 STEEL GALVANIZED TO CONFORM TO THE REQUIREMENTS OF A.S.T.M. A123/A123M-97a(1999)e1



REAR ELEVATION

NOTE:
 CLAMPING TO MIDDLE POST ELIMINATED ON TWO POST SIGNS.

NOT TO SCALE

| | | |
|--|---|--------------------|
| DESIGN APPROVED | ARIZONA DEPARTMENT OF TRANSPORTATION INTERMODAL TRANSPORTATION DIVISION STANDARD DRAWINGS | REV. |
| APPROVED FOR DISTRIBUTION | | 2/02 |
| AUXILIARY SIGN INSTALLATION DETAILS | | DRAWING NO. S-7 |