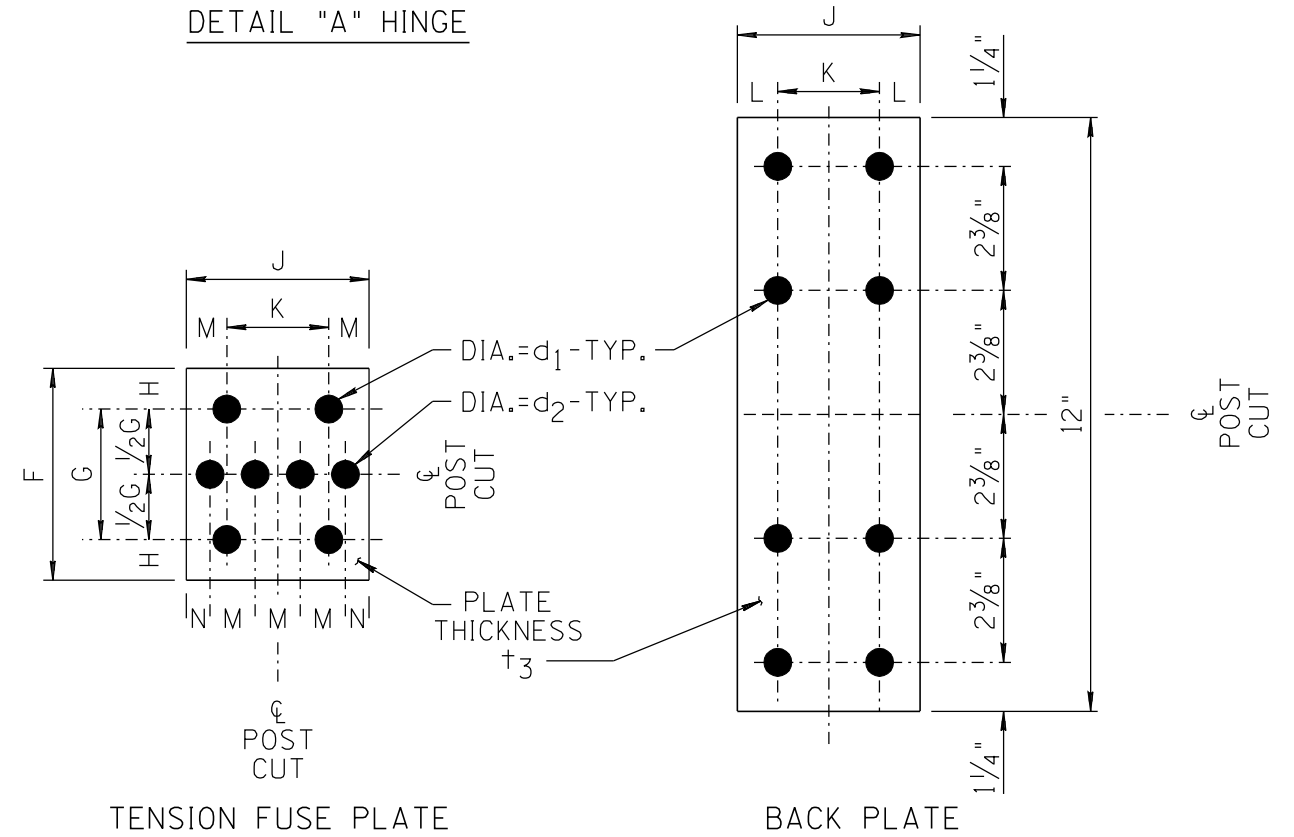
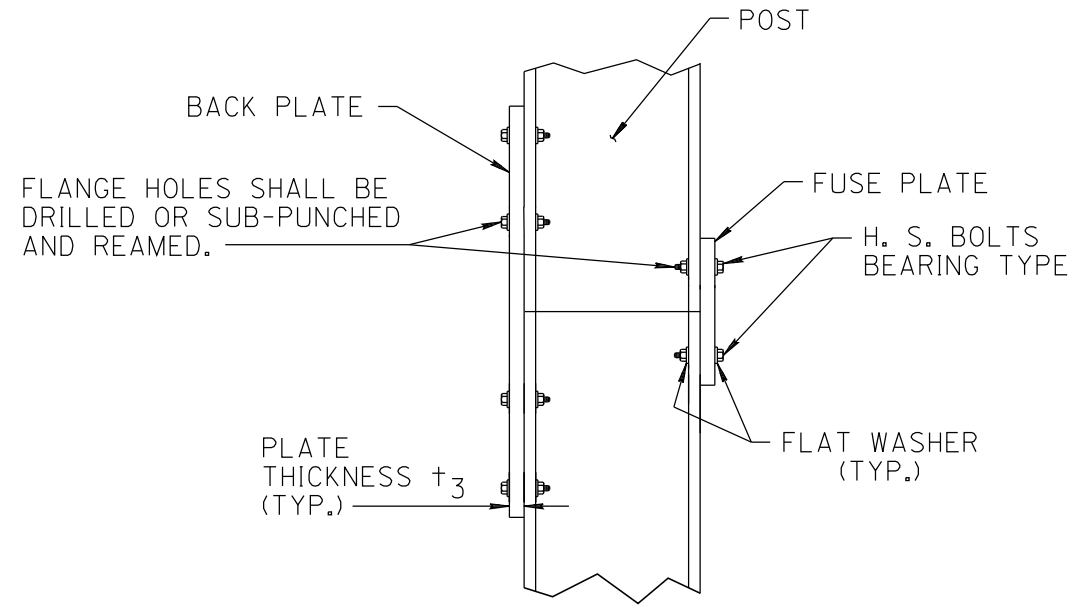
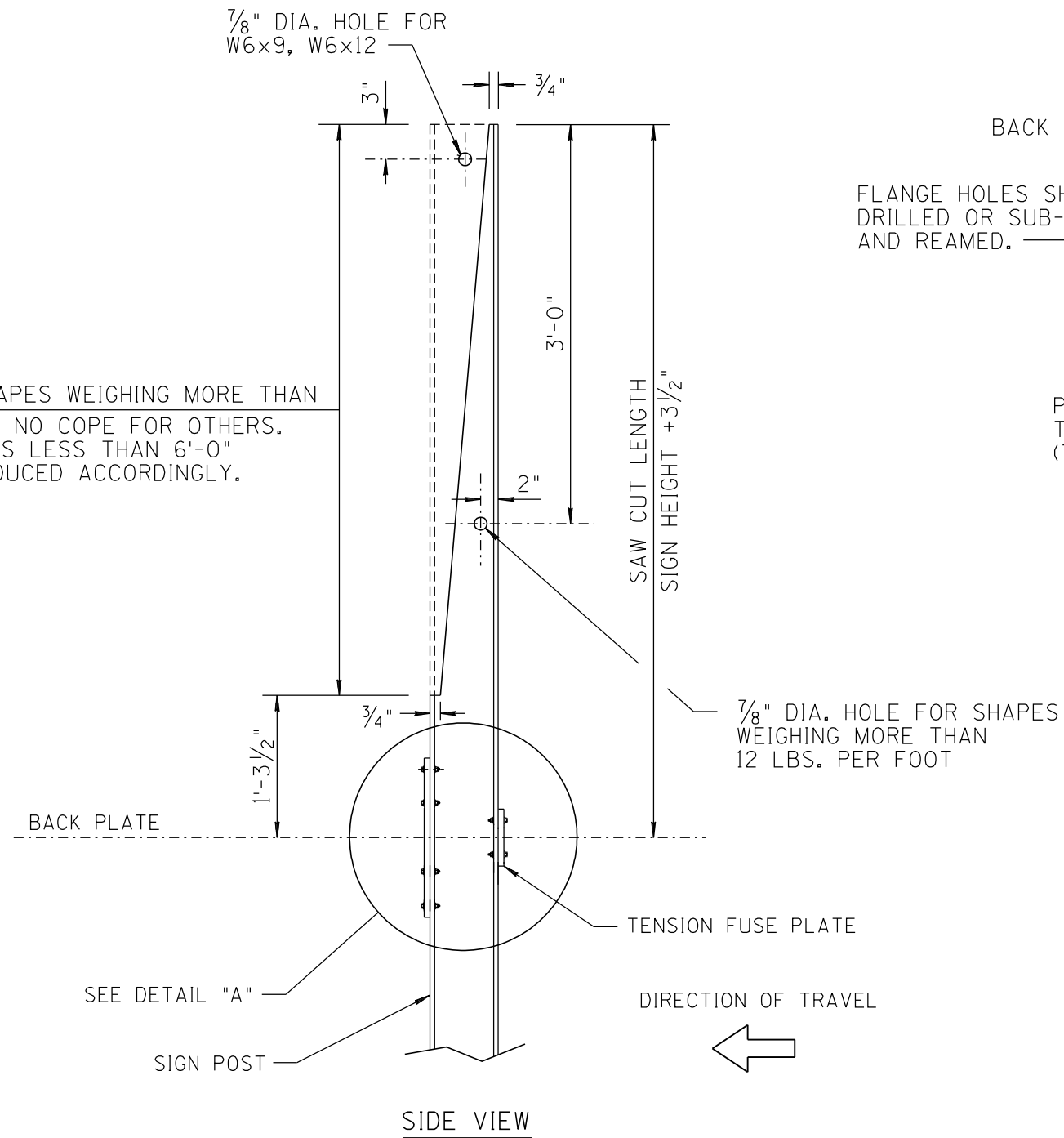


NO.	DESCRIPTION OF REVISIONS	MADE BY	DATE	NO.
1	RE-ISSUE	L. LOPEZ	2/02	3
2	REMOVED W6x9 FROM POST SIZE TABLE.	L. LOPEZ	10/10	4

5'-0" COPE FOR SHAPES WEIGHING MORE THAN 12 LBS. PER FOOT. NO COPE FOR OTHERS. WHEN SIGN HEIGHT IS LESS THAN 6'-0" COPE SHALL BE REDUCED ACCORDINGLY.



BACK PLATE AND TENSION FUSE PLATE DATA

POST SIZE	DIMENSION FOR NEW POST SIZES												
	F	G	H	J	K	L	M	N	$d_1$	$d_2$	$t_3$	BOLT DIA.	BOLT LENGTH
W6x12	4 3/4"	2 1/2"	1 1/8"	4"	2 1/4"	7/8"	1"	1/2"	9/16"	3/4"	1/4"	1/2"	1 1/2"
W8x18	5"	2 1/2"	1 1/4"	5 1/4"	2 3/4"	1 1/4"	1 1/4"	3/4"	11/16"	1 1/16"	3/8"	5/8"	1 7/8"
W10x22	5 1/2"	2 1/2"	1 1/2"	5 3/4"	2 3/4"	1 1/2"	1 3/8"	13/16"	13/16"	1 1/8"	1/2"	3/4"	2 1/8"
W12x26	5 1/2"	2 1/2"	1 1/2"	6 1/2"	3 1/2"	1 1/2"	1 5/8"	13/16"	13/16"	1 5/16"	1/2"	3/4"	2 1/8"

ALL PLATE HOLES SHALL BE DRILLED. ALL PLATE CUTS SHALL PREFERABLY BE SAW CUTS; FLAME CUTTING WILL BE PERMITTED, PROVIDED ALL EDGES ARE GROUND.

DESIGN APPROVED	ARIZONA DEPARTMENT OF TRANSPORTATION INTERMODAL TRANSPORTATION DIVISION TRAFFIC SIGNING & MARKING STANDARD DRAWINGS	REVISION 10/10
APPROVED FOR DISTRIBUTION		DRAWING NO. S-4
	W SHAPE TENSION FUSE PLATE AND HINGE DETAILS	SHEET NO. 1 OF 1

NOT TO SCALE