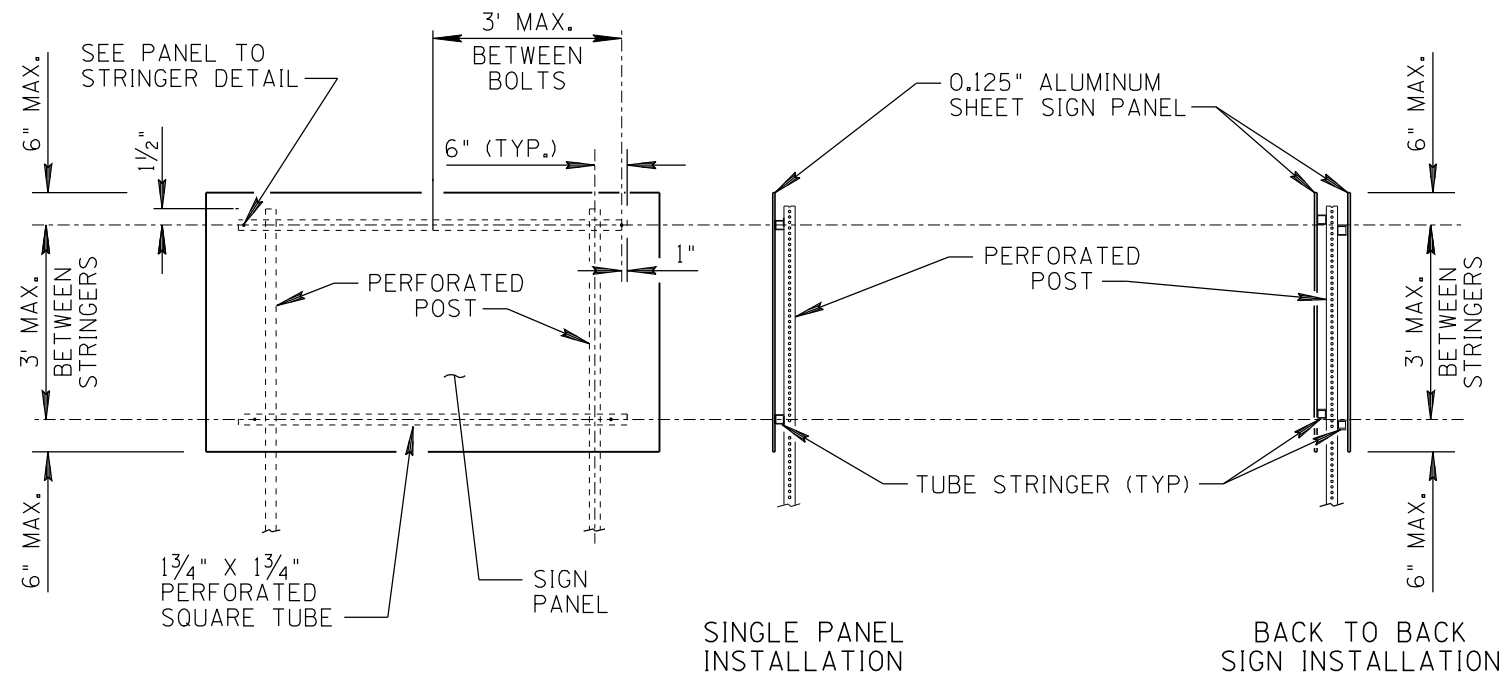


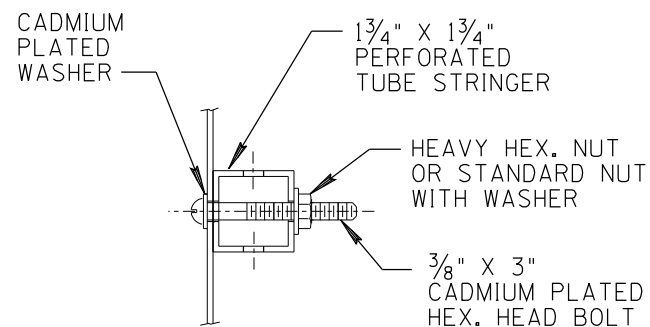
NO.	DESCRIPTION OF REVISIONS	DATE	MADE BY
1	RE-ISSUE	2/02	L. LOPEZ
2	CORRECTED STD DRAWING REFERENCE NUMBERS	1/10	L. LOPEZ

GUIDE SIGN POST SPACING
(NOT FOR USE WITH WARNING, REGULATORY OR MARKER PANELS)

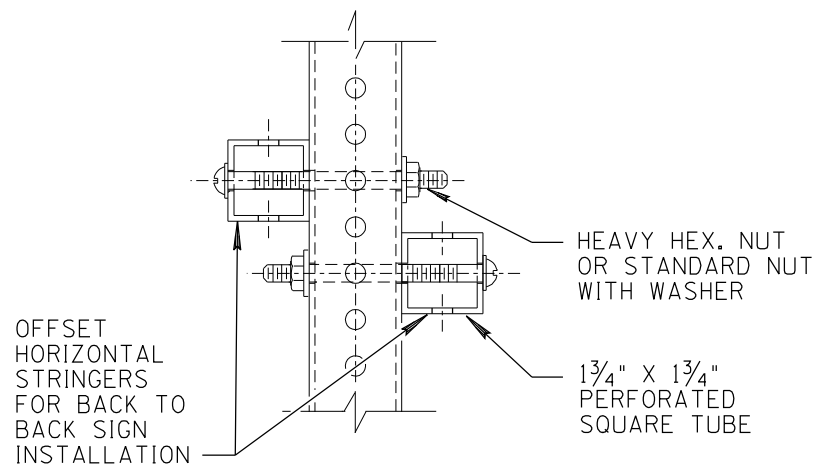
PANEL WIDTH	3'	4'	5'	6'	7'	8'	9'	10'
TWO POSTS SPACING (A)	1'-10"	2'-6"	3'-0"	3'-8"	4'-2"	4'-10"	5'-4"	6'-0"
BOLTS TO PANEL (PER STRINGER)	—	—	3	3	3	3	4	4
LENGTH OF EACH STRINGER	—	—	4'-0"	4'-8"	5'-2"	5'-10"	6'-4"	7'-0"
THREE POSTS SPACING (B)	—	—	1'-9"	2'-1"	2'-5"	2'-10"	3'-2"	3'-6"
BOLTS TO PANEL (PER STRINGER)	—	—	3	3	3	4	4	4
LENGTH OF EACH STRINGER	—	—	4'-6"	5'-2"	5'-10"	6'-8"	7'-4"	8'-0"



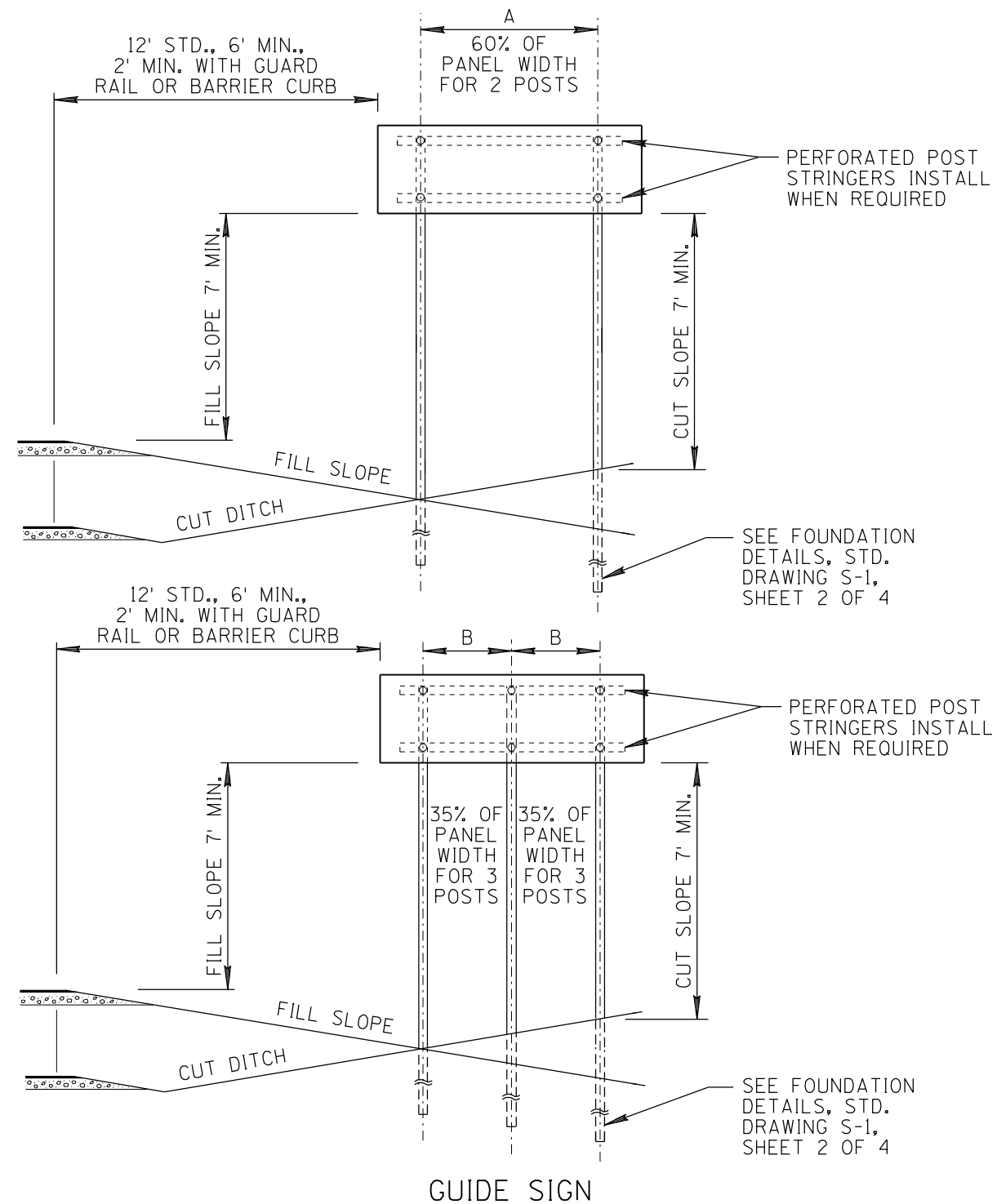
STRINGER DETAILS FOR GUIDE SIGNS
(5 FT. - 10 FT. WIDE)



PANEL TO STRINGER
OR POST CONNECTION
TOP VIEW



STRINGER TO POST CONNECTION
SIDE VIEW



GUIDE SIGN

NOTES:

- ALL FLAT SHEET ALUMINUM PANELS SHALL BE CONSTRUCTED WITHOUT SPLICES IN THE ALUMINUM.
- REFLECTIVE SHEETING SPLICES ARE NOT PERMITTED IF MINIMUM DIMENSION OF THE SIGN IS 4' OR LESS.

NOT TO SCALE

DESIGN APPROVED	ARIZONA DEPARTMENT OF TRANSPORTATION INTERMODAL TRANSPORTATION DIVISION TRAFFIC SIGNING & MARKING STANDARD DRAWINGS	REVISION	1/10
APPROVED FOR DISTRIBUTION		DRAWING NO.	S-3
		SHEET NO.	4 OF 4