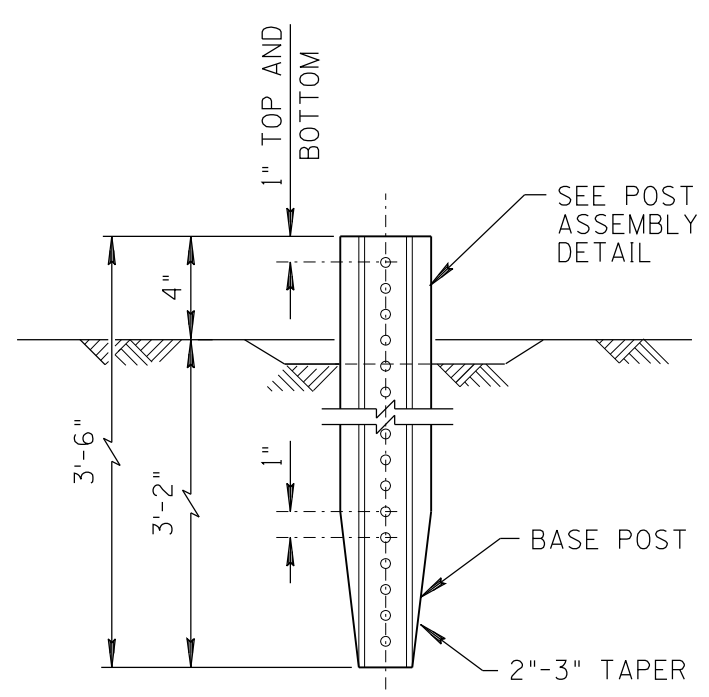
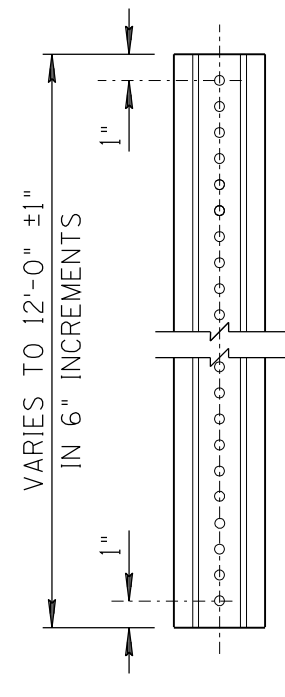


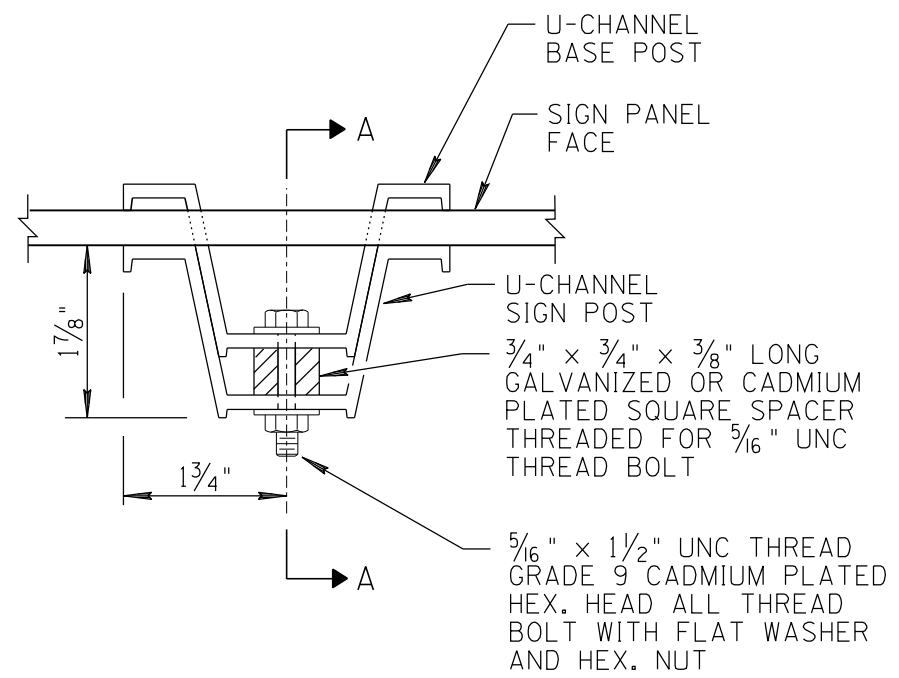
NO	DESCRIPTION OF REVISIONS	MADE BY	DATE
1	RE-ISSUE	L. LOPEZ	2/02
2			
3			
4			



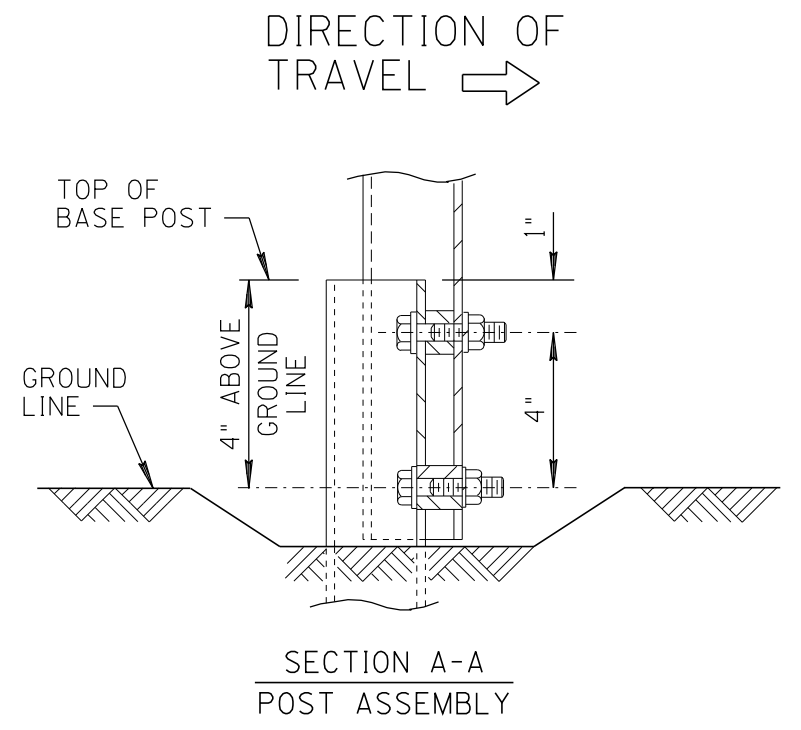
BASE POST AND INSTALLATION



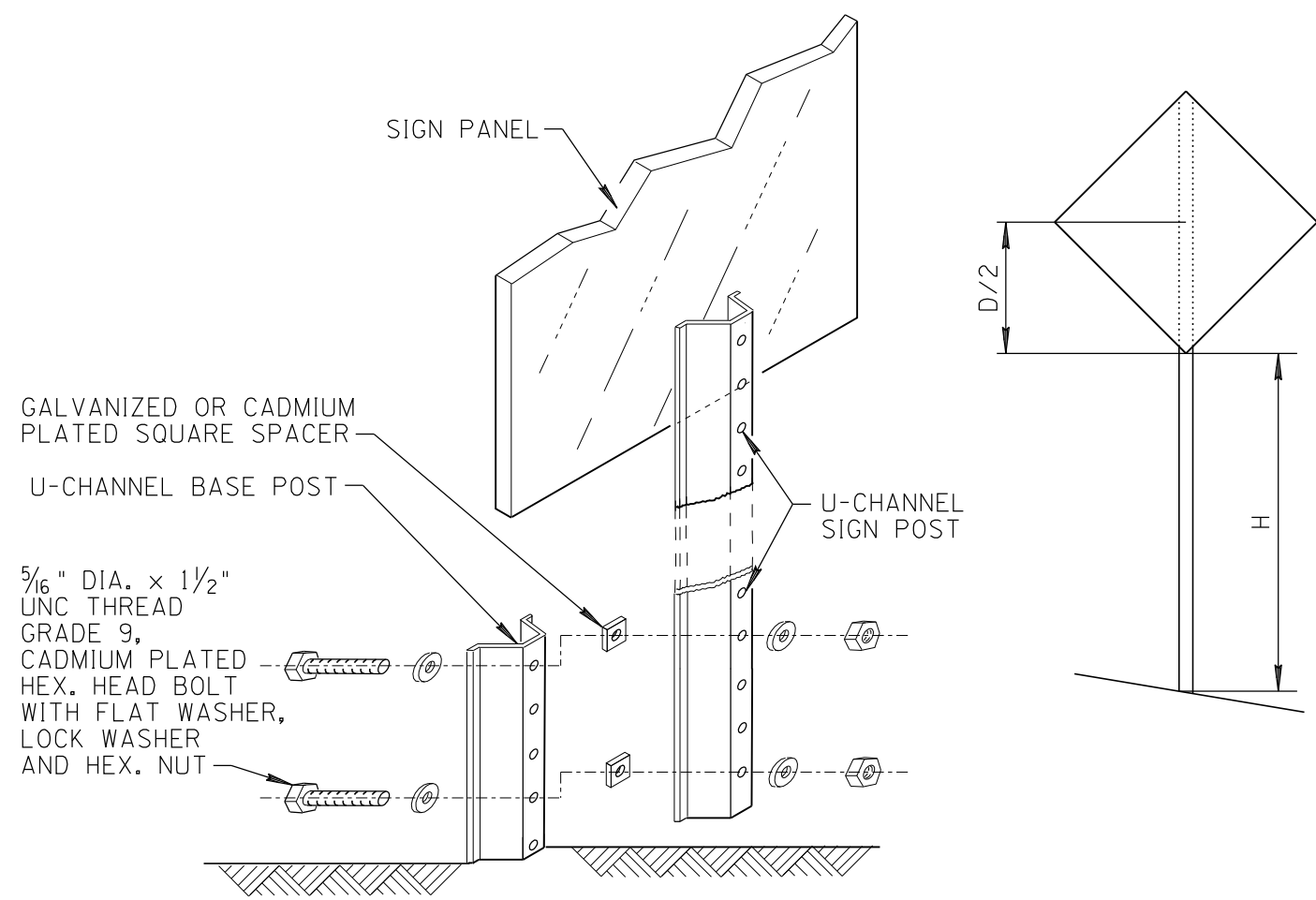
SIGN POST



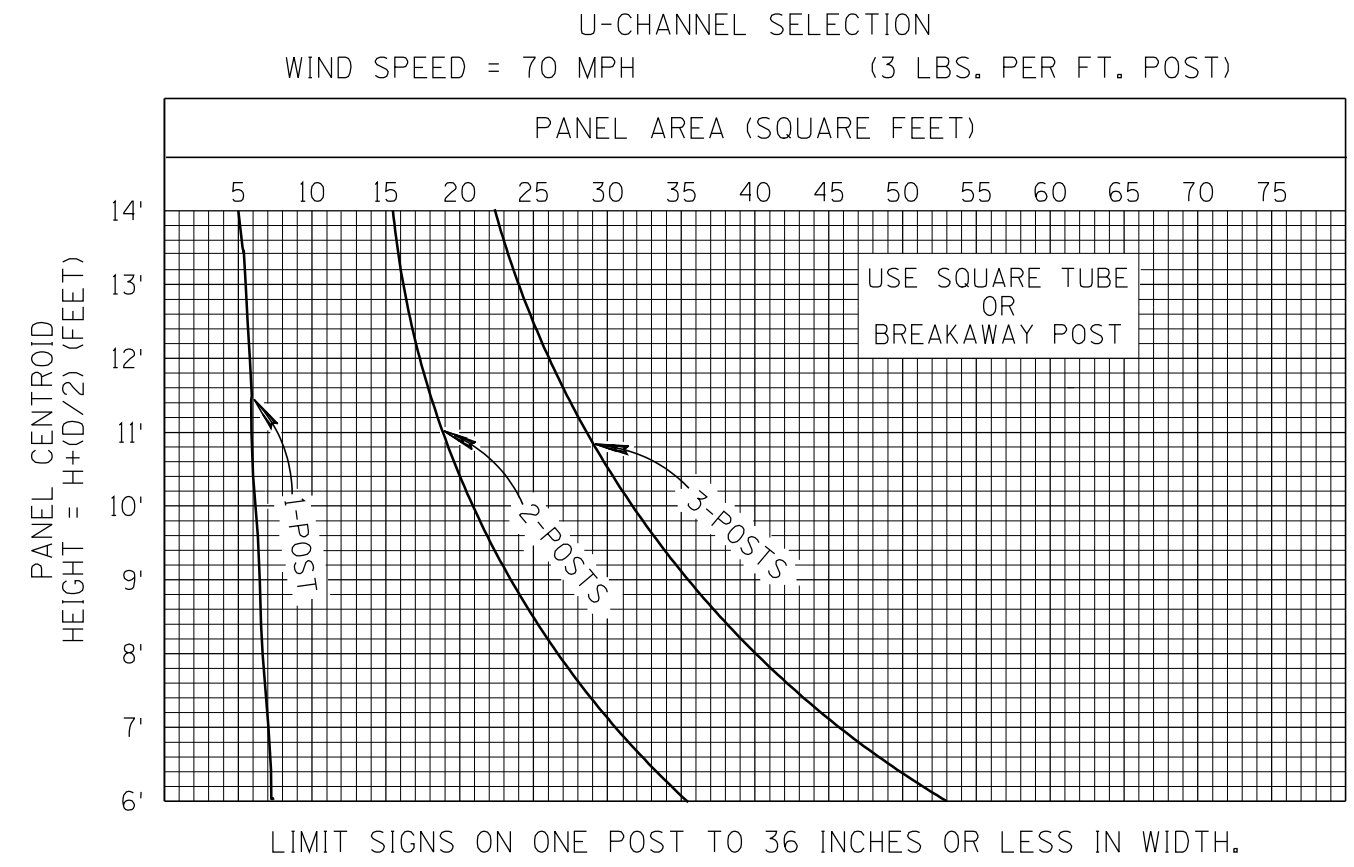
TOP VIEW



SECTION A-A
POST ASSEMBLY



INSTALLATION PICTORIAL



SHEET 4 OF 4
NOT TO SCALE

DESIGN APPROVED	ARIZONA DEPARTMENT OF TRANSPORTATION INTERMODAL TRANSPORTATION DIVISION STANDARD DRAWINGS	REV. 2/02
APPROVED FOR DISTRIBUTION	U-CHANNEL POST SELECTION AND INSTALLATION DETAILS	DRAWING NO. S-1