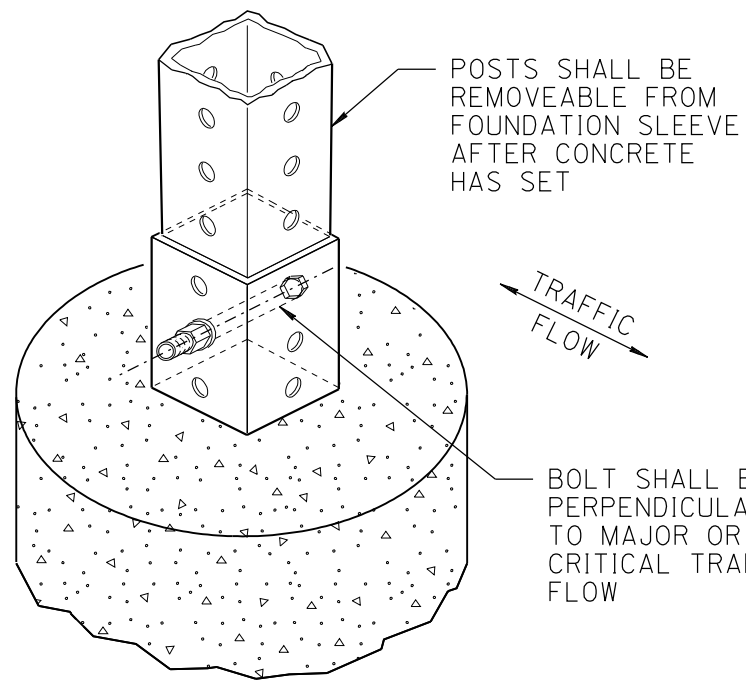
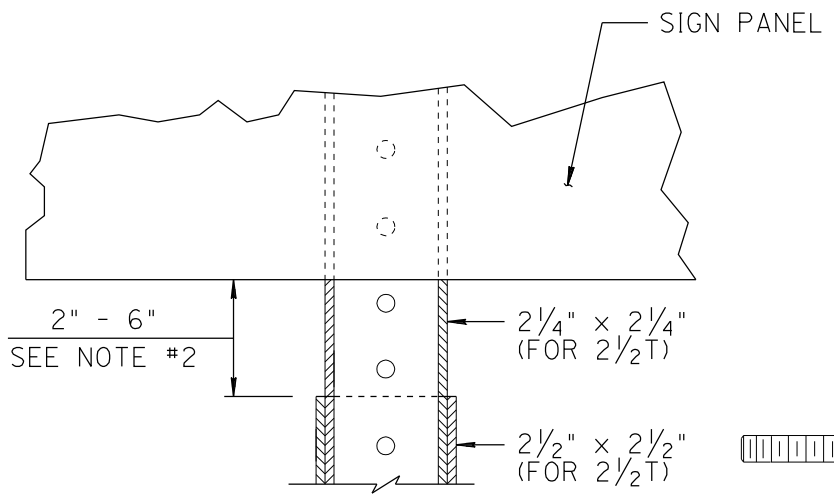


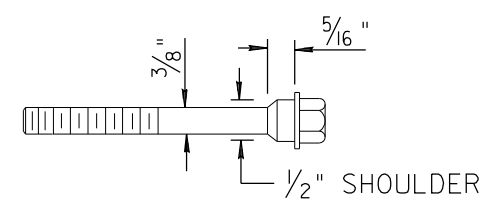
NO	DESCRIPTION OF REVISIONS	MADE BY	DATE
1	RE-ISSUE	L. LOPEZ	2/02
2	RE-DESIGN	M. ZUBI	5/03
3	NOTE #2 SPELLING CORRECTION	L. LOPEZ	5/06
4			



DETAIL "A"



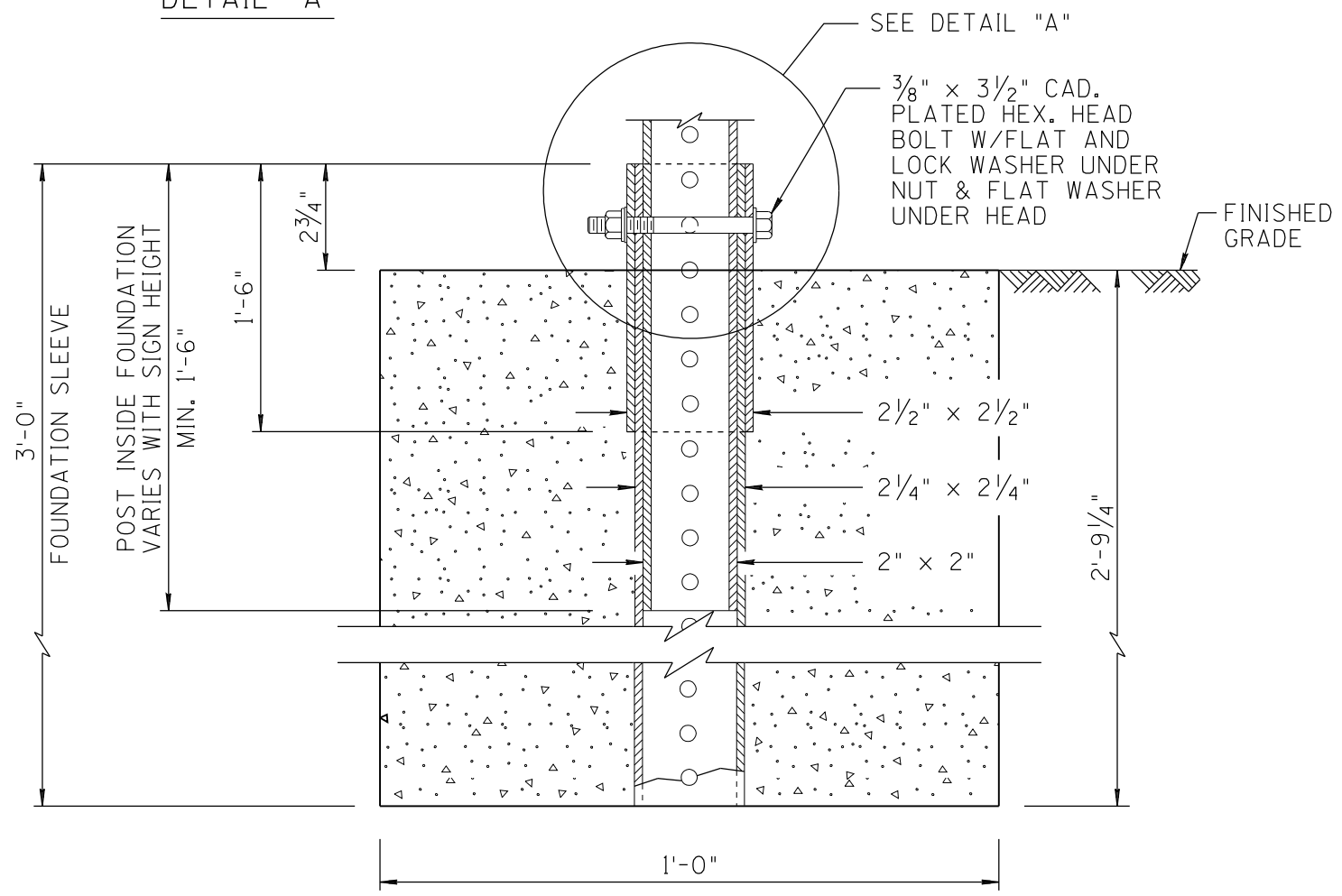
TELESCOPING POST INSTALLATION



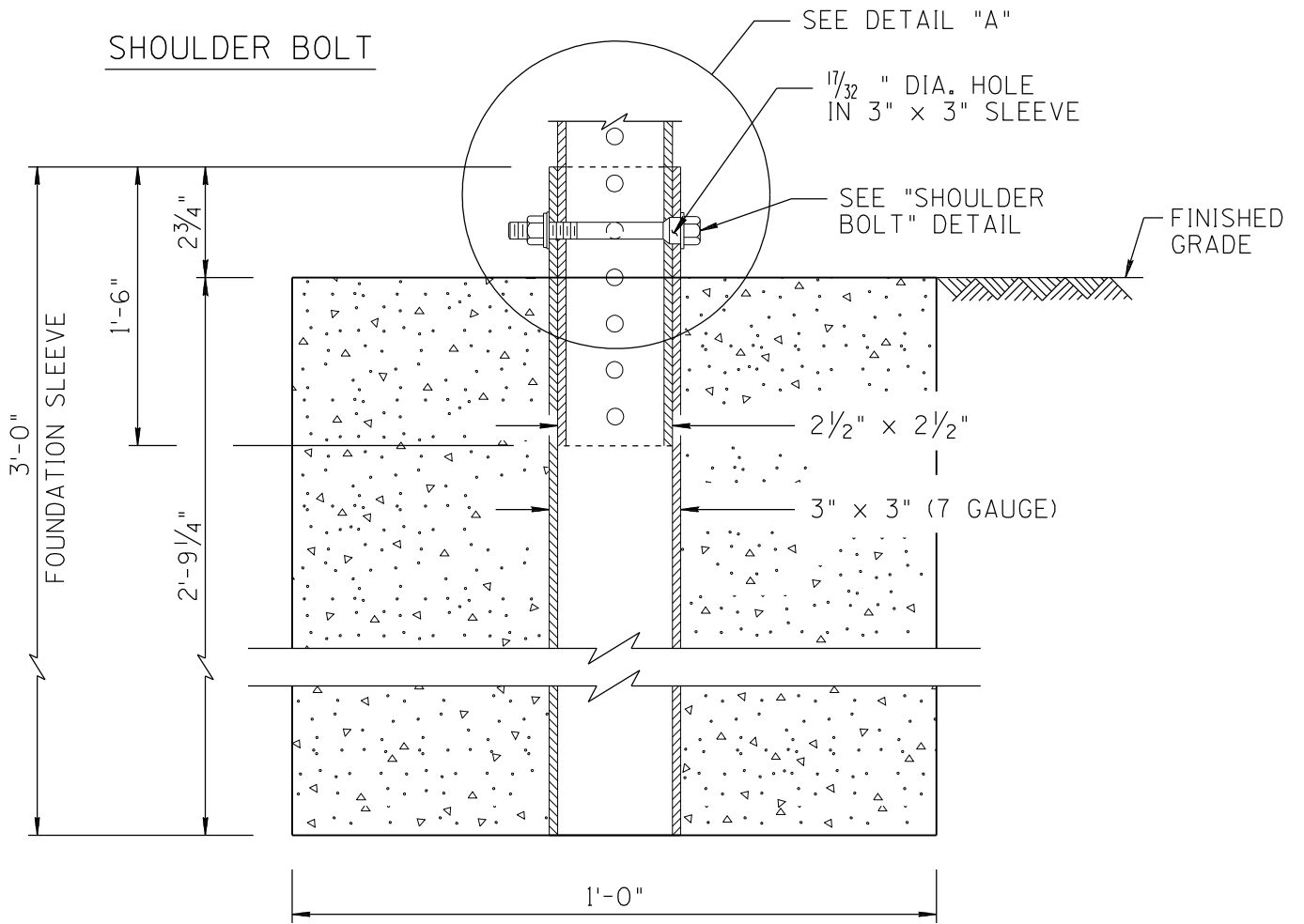
SHOULDER BOLT

NOTES:

- FOR ESTIMATING PURPOSES; CONCRETE QUANTITY PER POST IS 0.09 CUBIC YARDS FOR 1 FOOT DIAMETER FOUNDATIONS.
- ON TELESCOPING INSTALLATIONS UNDER 5000 FT. ELEVATION, THE OUTER SLEEVE SHALL BE BETWEEN 2 INCHES AND 6 INCHES BELOW THE BOTTOM OF THE SIGN PANEL. FOR INSTALLATION ABOVE 5000 FT., THE SLEEVE SHALL EXTEND TO THE TOP OF THE PANEL.



2" SINGLE POST CONCRETE FOUNDATION DETAIL  
IN WEAK SOILS



2 1/2" SINGLE POST CONCRETE FOUNDATION DETAIL  
IN WEAK SOILS

DESIGN APPROVED	ARIZONA DEPARTMENT OF TRANSPORTATION INTERMODAL TRANSPORTATION DIVISION STANDARD DRAWINGS	REV. 5/06
APPROVED FOR DISTRIBUTION	PERFORATED SIGN POST FOUNDATION	DRAWING NO. S-1

SHEET 2 OF 3  
NOT TO SCALE