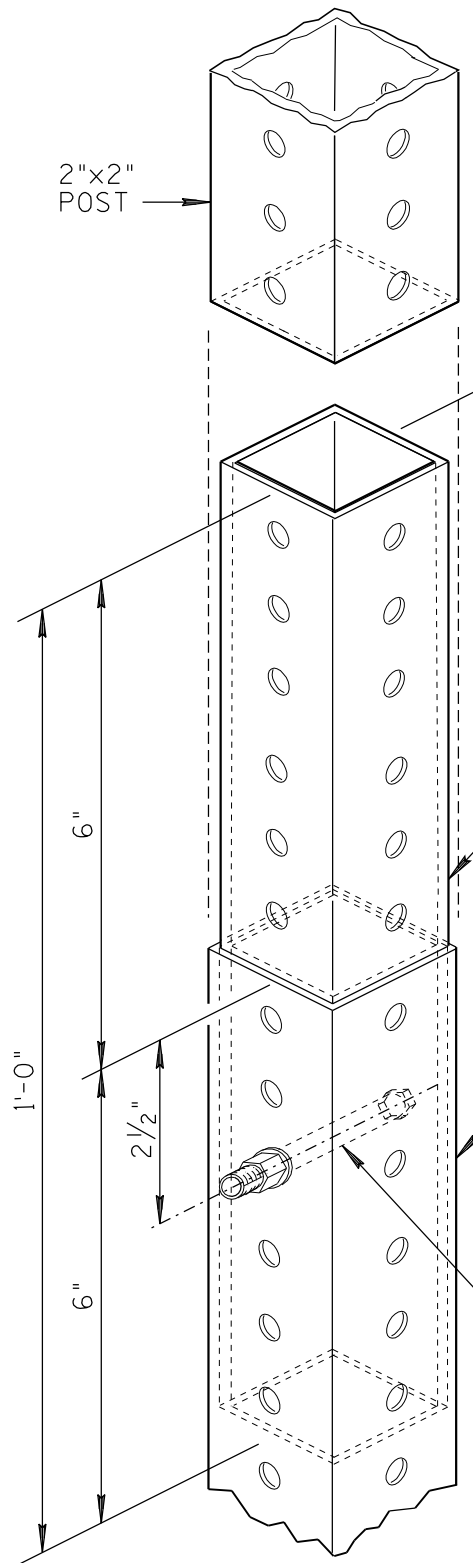
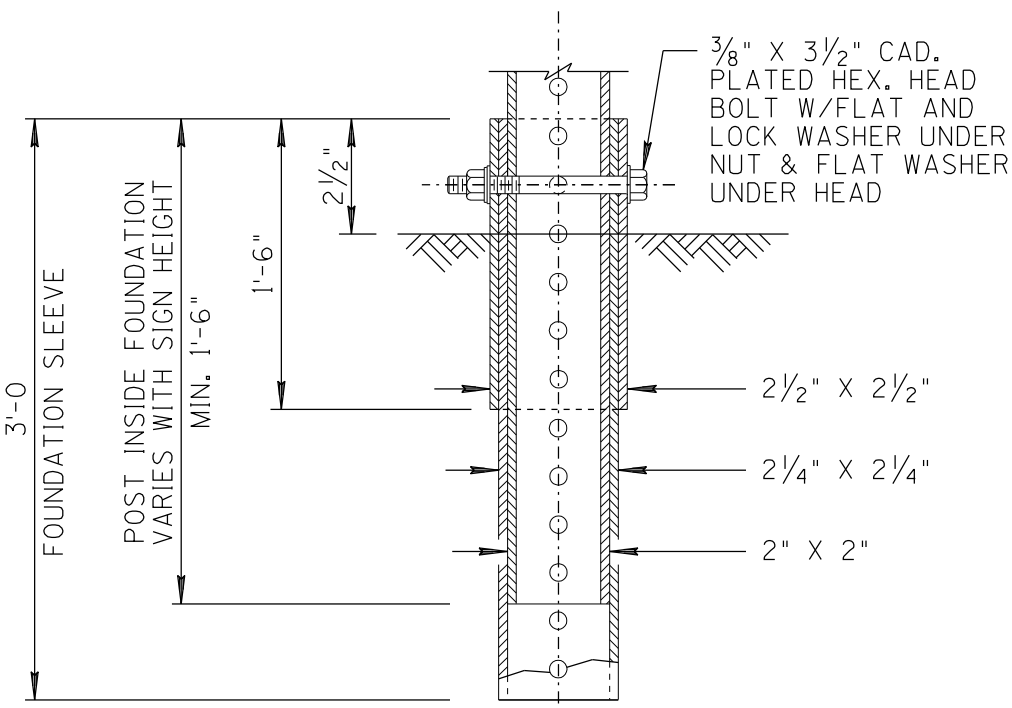


NO	DESCRIPTION OF REVISIONS	MADE BY	DATE
1	RE-ISSUE	L. LOPEZ	2/02
2			
3			
4			

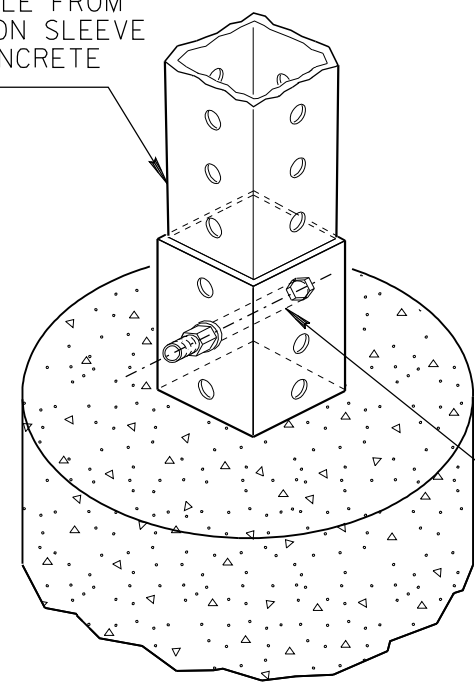


SINGLE POST PERMISSIBLE FIELD SPLICE
(NOT ALLOWED ON TELESCOPING POST)

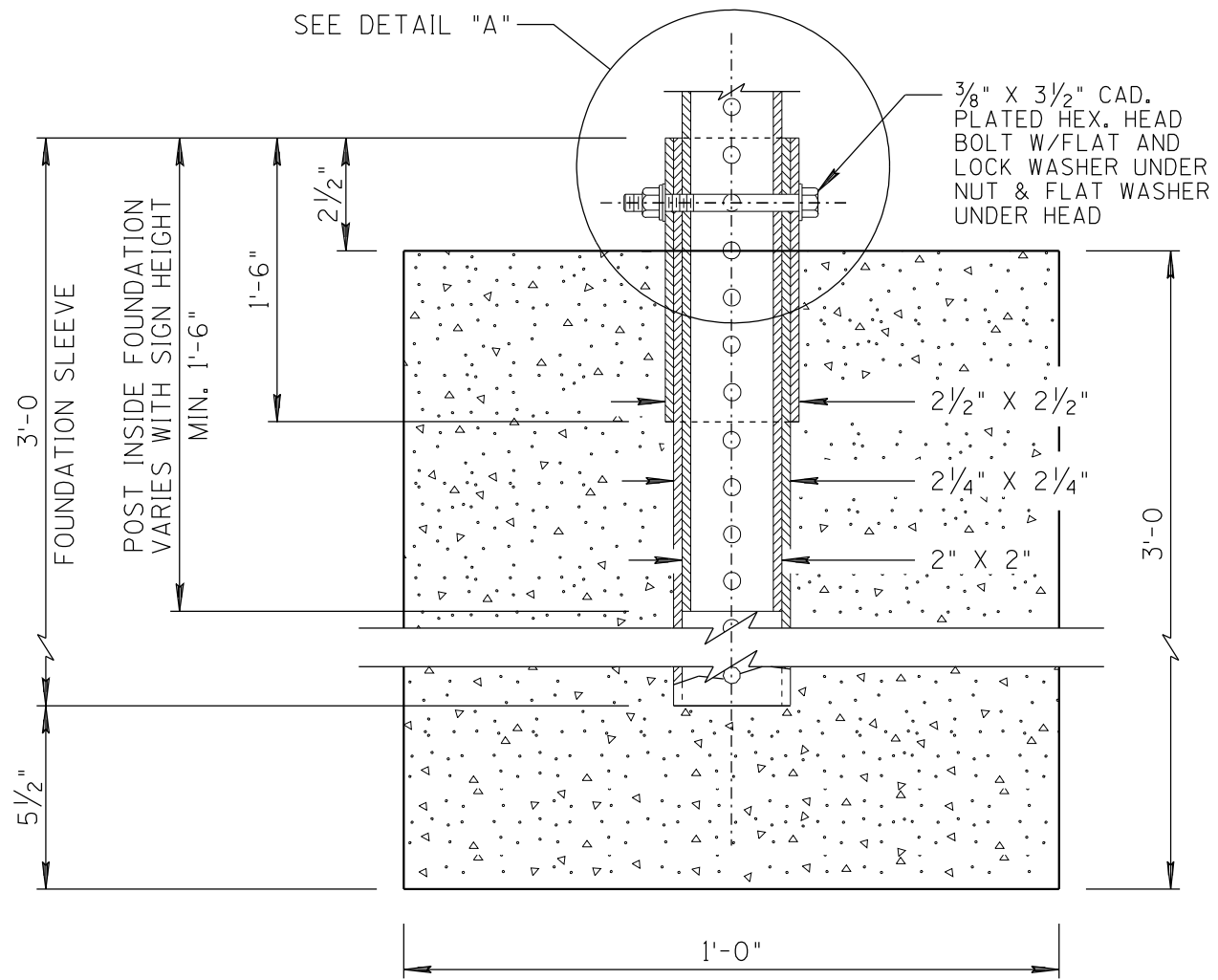


SINGLE POST FOUNDATION DETAIL
IN STRONG SOILS

POSTS SHALL BE REMOVEABLE FROM FOUNDATION SLEEVE AFTER CONCRETE HAS SET



DETAIL "A"



SINGLE POST FOUNDATION DETAIL
IN WEAK SOILS

NOTES:

1. FOR ESTIMATING PURPOSES; CONCRETE QUANTITY PER POST IS 0.09 CUBIC YARDS FOR 1 FOOT DIAMETER FOUNDATIONS.
2. ON TELESCOPING INSTALLATIONS UNDER 5000 FOOT ELEVATIONS, THE OUTER SLEEVE SHALL BE 2 - 6 INCHES BELOW SIGN PANEL. FOR INSTALLATIONS OVER 5000 FOOT ELEVATIONS, THE SLEEVE SHALL EXTEND TO THE TOP OF THE PANEL.
3. FOR SINGLE POST FIELD SPLICES, IF THE SHORTEST POST SECTION IS LESS THAN PANEL HEIGHT, THEN SPLICE SHALL BE BEHIND PANEL. NO FIELD SPLICE PERMITTED FOR TELESCOPING POSTS.

DESIGN APPROVED	ARIZONA DEPARTMENT OF TRANSPORTATION INTERMODAL TRANSPORTATION DIVISION STANDARD DRAWINGS	REV. 2/02
APPROVED FOR DISTRIBUTION ARCHIVED	2 INCH SQUARE TUBE, POST FOUNDATION AND SPLICE DETAILS	DRAWING NO. S-1