

NO	DESCRIPTION OF REVISIONS	MADE BY	DATE
1	RE-ISSUE	L. LOPEZ	2/02
2	RE-ISSUE	L. LOPEZ	5/03
3	TYP0 ERRORS CORRECTED	L. LOPEZ	7/03
4			

TABLE 2S - SINGLE POST
2" (2S) SINGLE POST 12 GAUGE,
POST REQUIRED,
SIGN AREA IN SQUARE FT.

	5	10	15	20
6	1	1	2	2
7	1	1	2	2
8	1	2	2	
9	1	2	2	
10	1	2		
11	1	2		
12	2			

TABLE 2½T - TELESCOPING POST
2¼" & 2½" (2½T) TELESCOPING POST 12 GAUGE,
POSTS REQUIRED,
SIGN AREA IN SQUARE FT.

	5	10	15	20	25	30	35	40	45	50	55	60	65	70	75	80	85	90	95	100	105	110	
6	1	1	1	1	1	1	1	2	2	2	2	2	2	2	2	3	3	3	3	3	3	3	3
7	1	1	1	1	1	1	2	2	2	2	2	2	2	3	3	3	3	3	3	3			
8	1	1	1	1	1	2	2	2	2	2	2	3	3	3	3	3							
9	1	1	1	1	2	2	2	2	2	3	3	3	3	3									
10	1	1	1	1	2	2	2	2	3	3	3	3	3										
11	1	1	1	2	2	2	2	3	3	3	3												
12	1	1	1	2	2	2	3	3	3														

ALL TELESCOPING POSTS SHALL BE INSTALLED ON SLIP BASE.

TABLE 2½S - SINGLE POST
2½" (2½S) SINGLE POST 12 GAUGE,
POST REQUIRED,
SIGN AREA IN SQUARE FT.

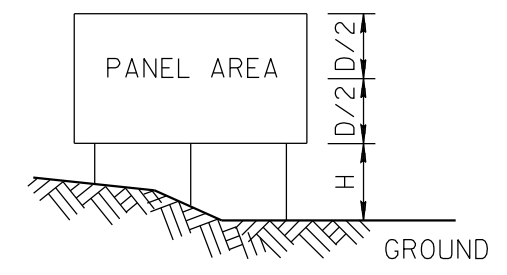
	5	10	15	20	25	30	35	40	45	50	55	60	65
6	1	1	1	1	2	2	2	2	3	3	3	3	3
7	1	1	1	2	2	2	2	3	3	3	3		
8	1	1	1	2	2	2	3	3	3				
9	1	1	2	2	2	3	3	3					
10	1	1	2	2	3	3	3						
11	1	1	2	2	3	3							
12	1	2	2	3	3								

SLIP BASE REQUIRMENTS

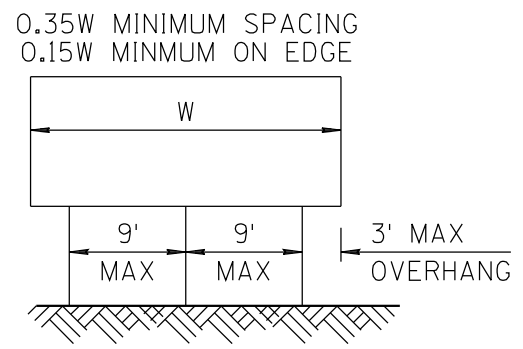
	2S	2½S	2½T
1 POST	NO	SLIP BASE	SLIP BASE
2 POST	NO	SLIP BASE	SLIP BASE
3 POST	DO NOT USE 3 POST	SLIP BASE	SLIP BASE

NOTES:

- SIGNS GREATER THAN 42 INCHES IN WIDTH SHALL BE MOUNTED ON TWO OR MORE POSTS. WARNING AND YIELD SIGNS ARE EXPECTED ON NON-FREEWAYS, RAMPS AND CROSS-ROADS. SEE STD DRAWING S-3, SHEET 3 OF 4.
- SLIP BASES SHOULD NOT BE USED IN LOCATIONS PROTECTED BY GUARDRAIL, BARRIER, OR OUTSIDE THE CLEAR ZONE, (30 FT. FROM EDGE LINE).



CENTROID HEIGHT = H+(D/2)
ALWAYS USE LARGEST H



SHEET 1 OF 3
NOT TO SCALE

DESIGN APPROVED	ARIZONA DEPARTMENT OF TRANSPORTATION INTERMODAL TRANSPORTATION DIVISION STANDARD DRAWINGS	REV.
APPROVED FOR DISTRIBUTION		7/03
SQUARE TUBE SIGN POST SELECTION CHARTS		DRAWING NO. S-1