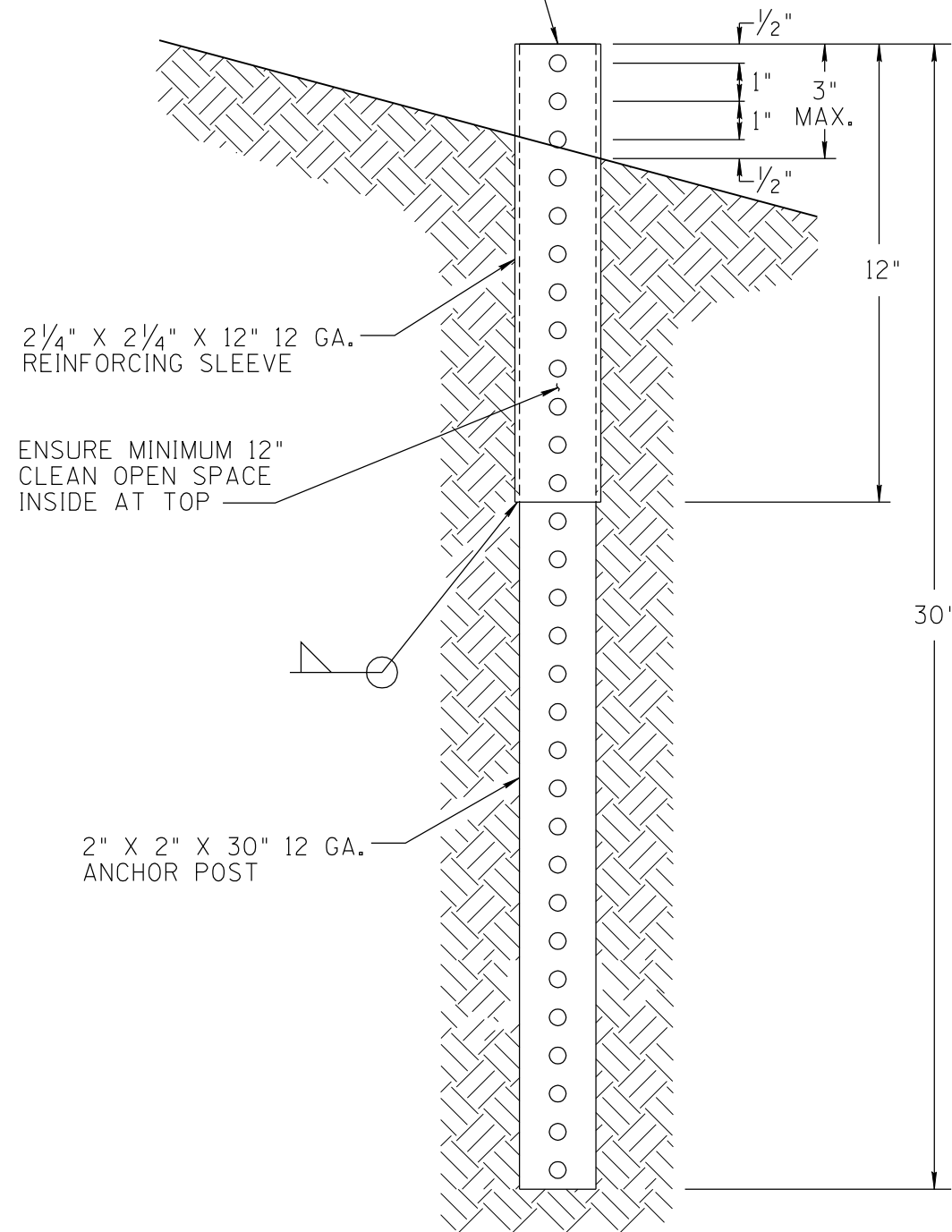


NO.	DATE	MADE BY	DESCRIPTION OF REVISIONS
1	07/09	C.C. & L.L.	
2			
3			
4			

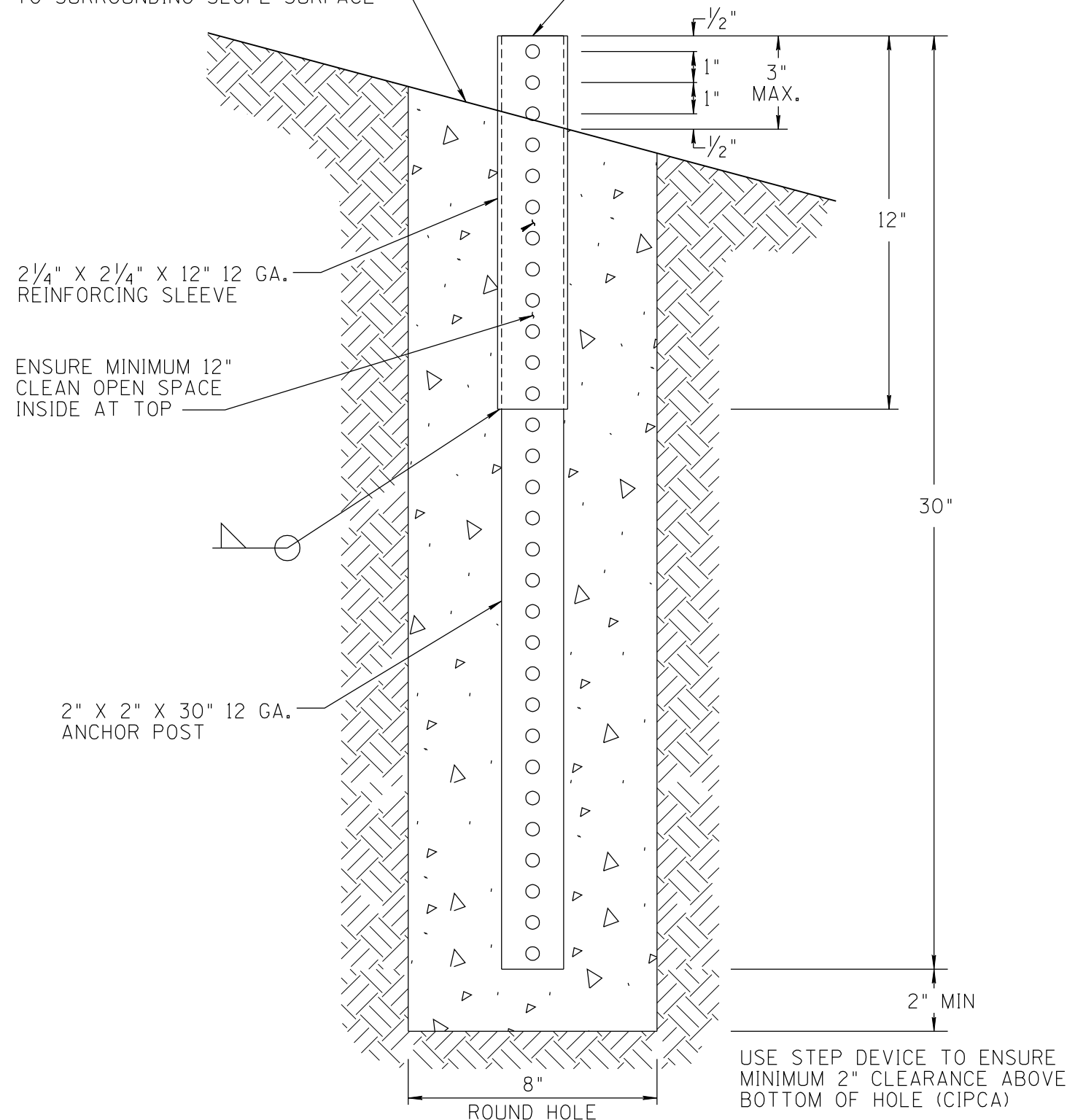
NO MORE THAN 3" OF THE ANCHOR SHALL BE EXPOSED ON DOWN HILL SIDE OF THE GROUND ANCHOR.



**DRIVEN GROUND ANCHOR (FOUNDATION)**  
(DGA)

CONCRETE SHALL BE CAST AND FINISHED FLUSH (NO BUILD UP) TO SURROUNDING SLOPE SURFACE

NO MORE THAN 3" OF THE ANCHOR SHALL BE EXPOSED ON DOWN HILL SIDE OF THE GROUND ANCHOR.



**CAST-IN-PLACE CONCRETE ANCHOR (FOUNDATION)**  
(CIPCA)

**NOTES:**

1. FOR RIGHT OR LEFT PAVEMENT EDGE.
2. FOR CUT- OR FILL-SIDE APPLICATIONS.
3. USE MEASURES TO ENSURE MINIMUM 12 INCH EMPTY SPACE INSIDE THE TOP OF INSTALLED FOUNDATION (DDGA AND CIPCA).

NOT TO SCALE

DESIGN APPROVED	ARIZONA DEPARTMENT OF TRANSPORTATION INTERMODAL TRANSPORTATION DIVISION TRAFFIC SIGNING & MARKING STANDARD DRAWINGS	REVISION	07/09
APPROVED FOR DISTRIBUTION		DRAWING NO.	M-37
DELINEATORS IN-GROUND FOUNDATION DETAILS		SHEET NO.	1 OF 1