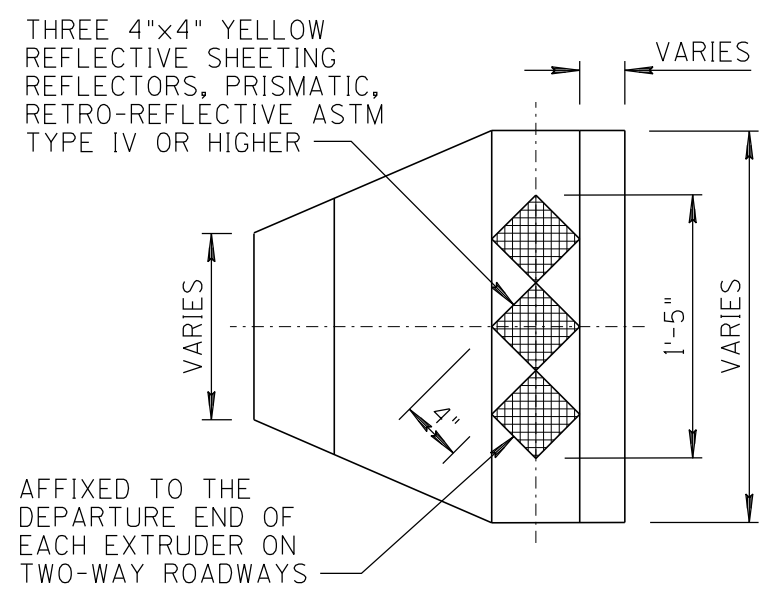
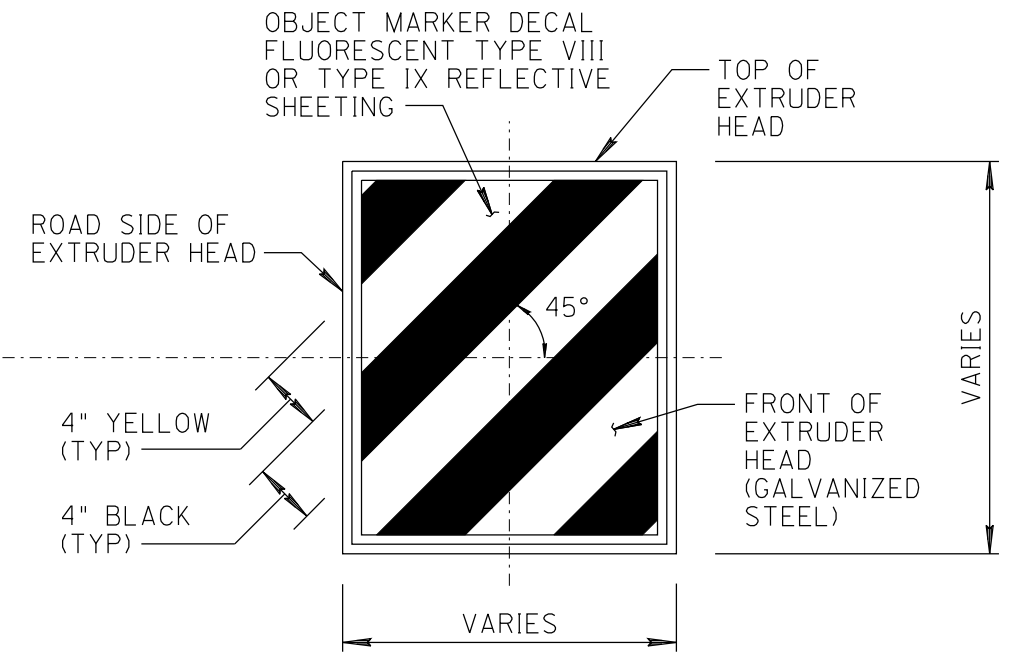


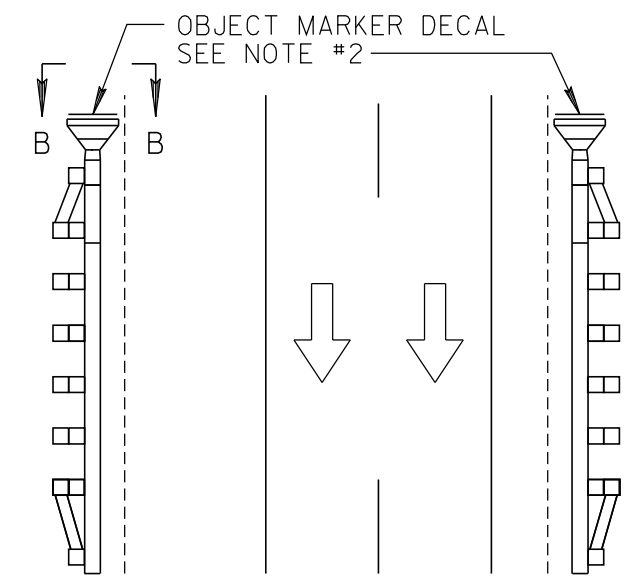
NO	DESCRIPTION OF REVISIONS	MADE BY	DATE
1	RE-ISSUE	L. LOPEZ	2/02
2	ADDED NOTE #3, TEXT EDITS	L. LOPEZ	5/03
3			
4			



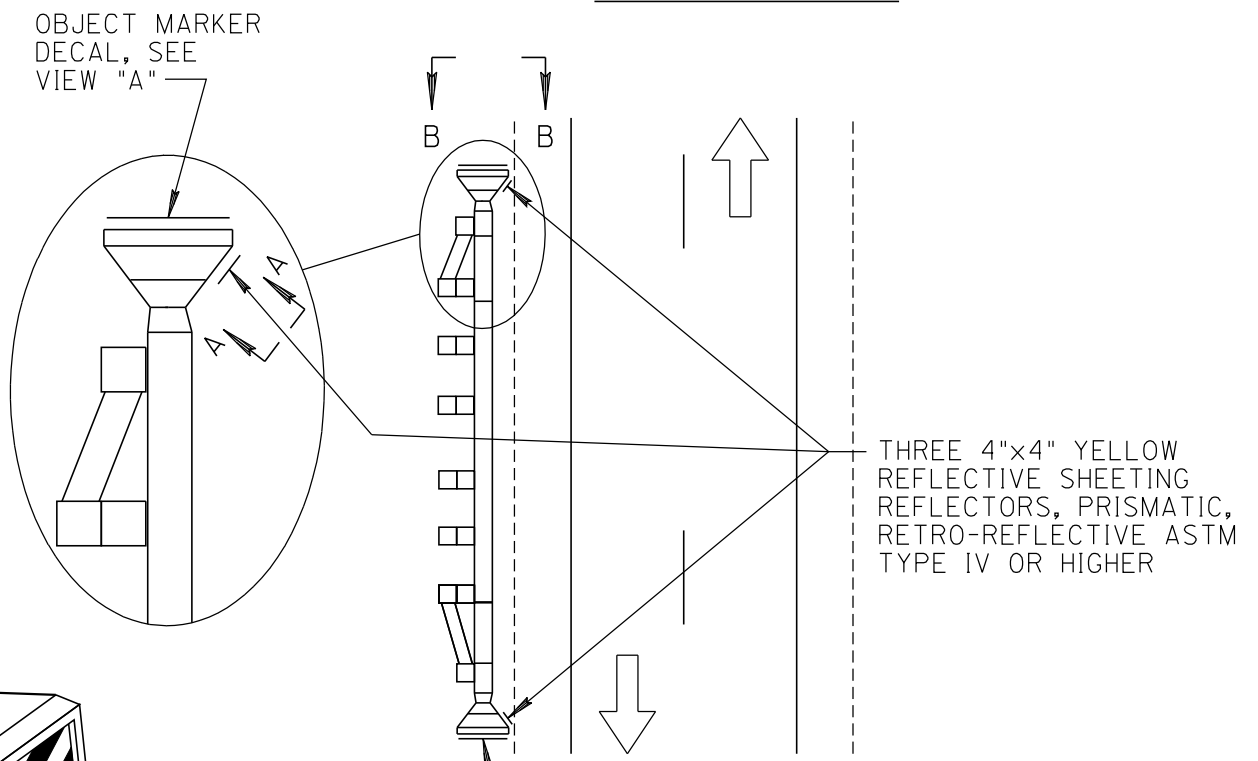
SECTION A-A  
DELINEATION FOR THE SIDE OF THE  
GUARDRAIL EXTRUDER TERMINAL



SECTION B-B  
FACING TRAFFIC  
DELINEATION FOR THE HEAD OF THE  
GUARDRAIL EXTRUDER TERMINAL

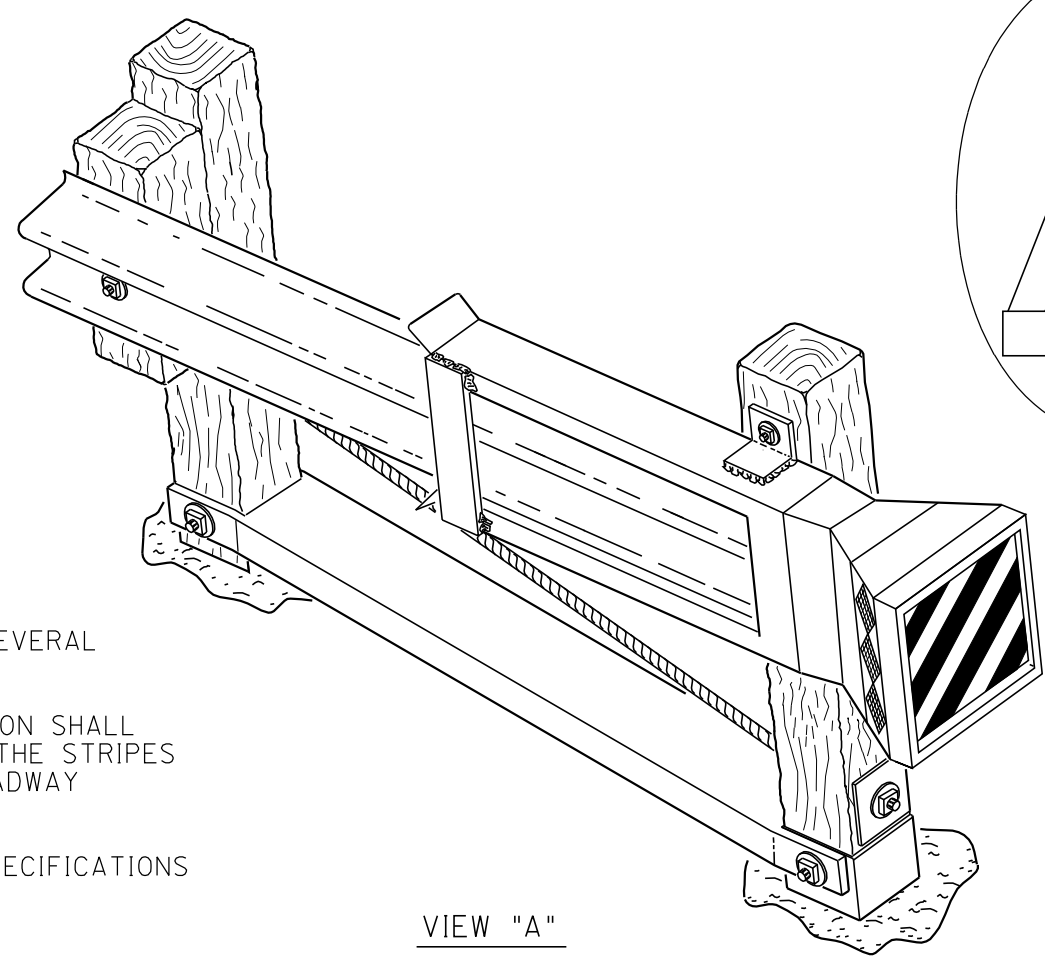


ONE-WAY ROADWAY



TWO-WAY ROADWAY

APPLICATION DETAIL FOR THE GUARDRAIL EXTRUDER TERMINAL



VIEW "A"

**NOTES:**

1. THESE DETAILS ARE APPLICABLE FOR SEVERAL MANUFACTURER'S SPECIFICATIONS.
2. ON TWO-WAY ROADWAYS, THE DELINEATION SHALL BE THE SAME FOR THE OPPOSITE END. THE STRIPES WILL POINT DOWN AND TOWARD THE ROADWAY OF ONE-WAY ROADWAYS.
3. SEE SECTION 905 OF THE STANDARD SPECIFICATIONS FOR GUARDRAIL MAKING REQUIREMENTS.

NOT TO SCALE

DESIGN APPROVED <b>ARCHIVED</b>	ARIZONA DEPARTMENT OF TRANSPORTATION INTERMODAL TRANSPORTATION DIVISION STANDARD DRAWINGS	REV. 5/03
APPROVED FOR DISTRIBUTION	GUARDRAIL EXTRUDER TERMINAL DELINEATION DETAILS	DRAWING NO. M-34