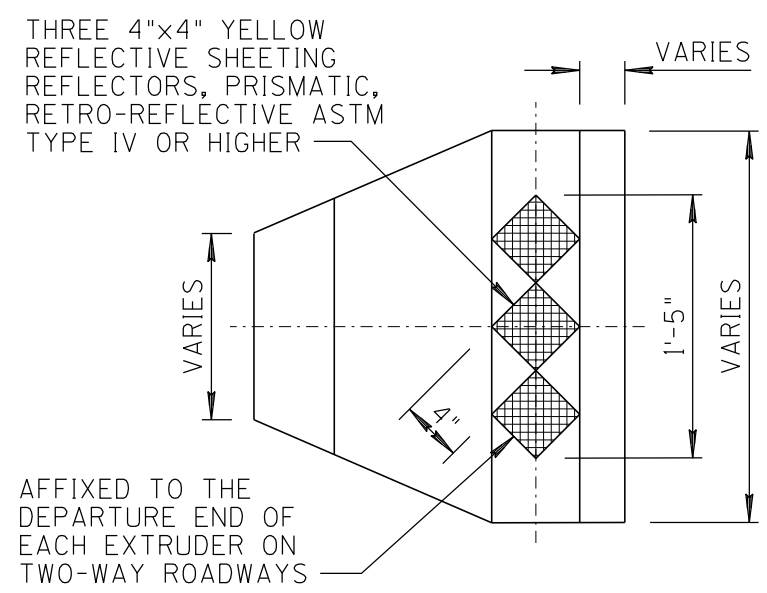
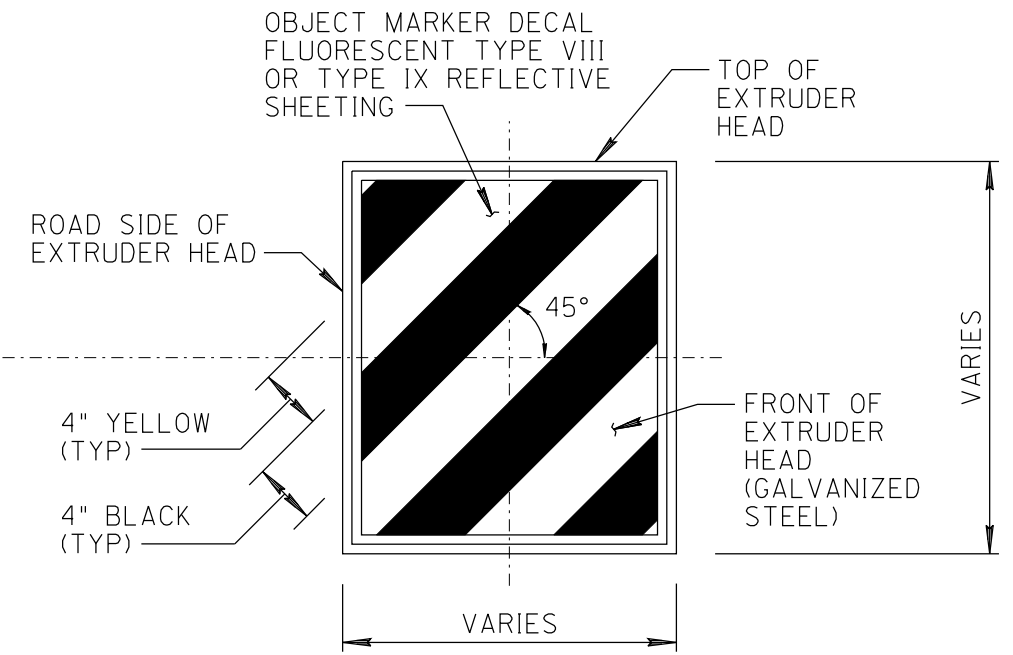


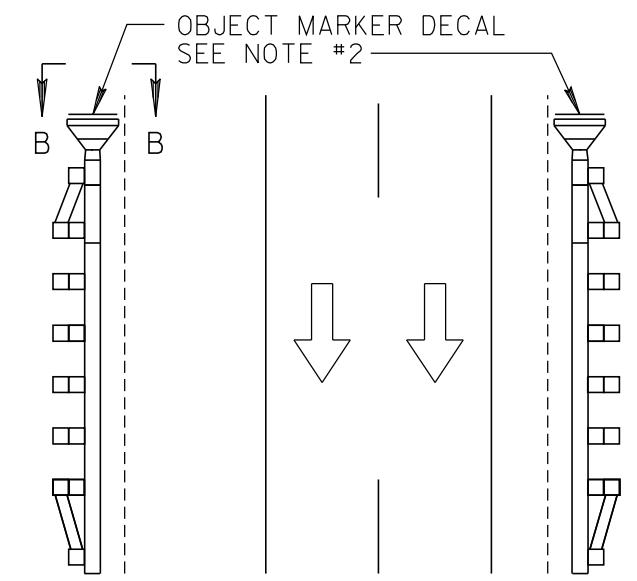
NO	DESCRIPTION OF REVISIONS	MADE BY	DATE
1	RE-ISSUE	L. LOPEZ	2/02
2	ADDED NOTE #3, TEXT EDITS	L. LOPEZ	5/03
3	ADDED NOTE #4.	L. LOPEZ	2/04
4	TYPO CORRECTION NOTE #3	L. LOPEZ	4/05



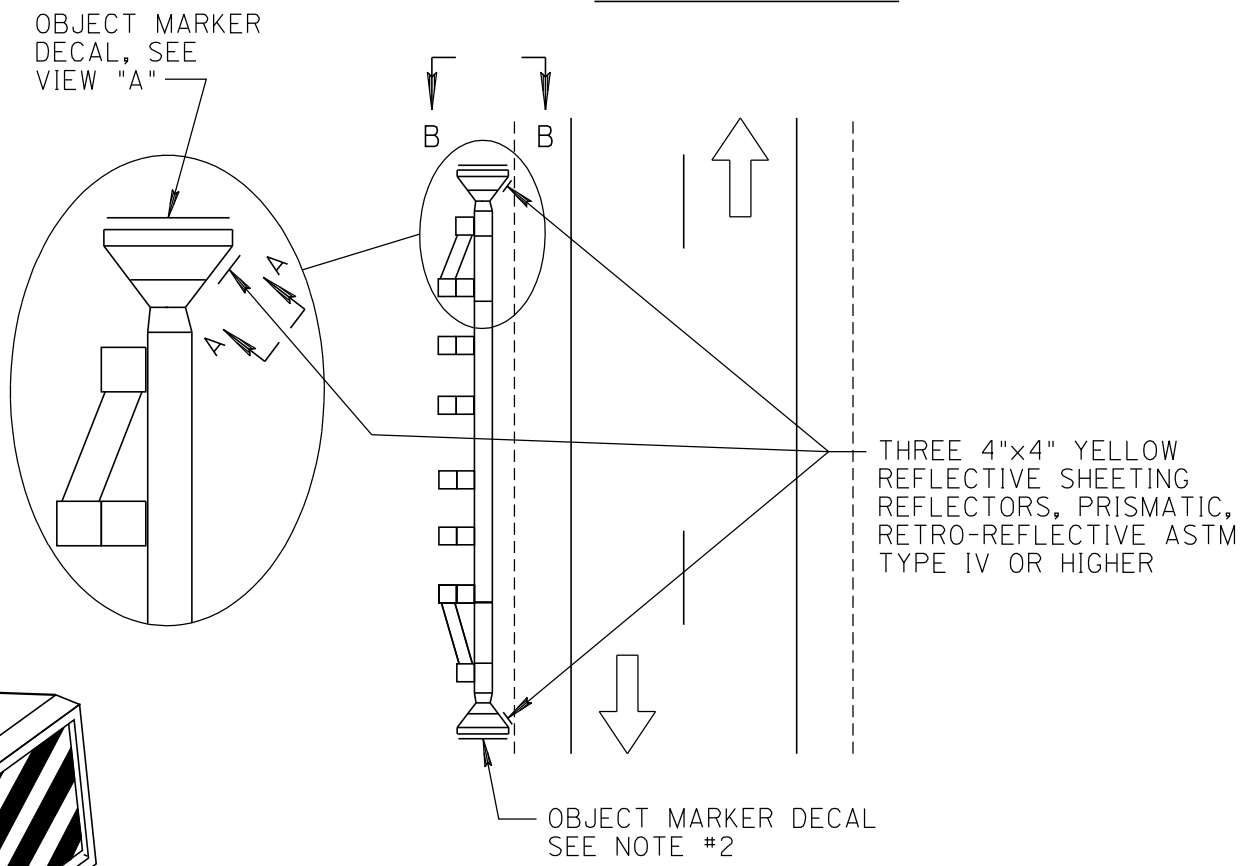
SECTION A-A  
DELINEATION FOR THE SIDE OF THE  
GUARDRAIL EXTRUDER TERMINAL



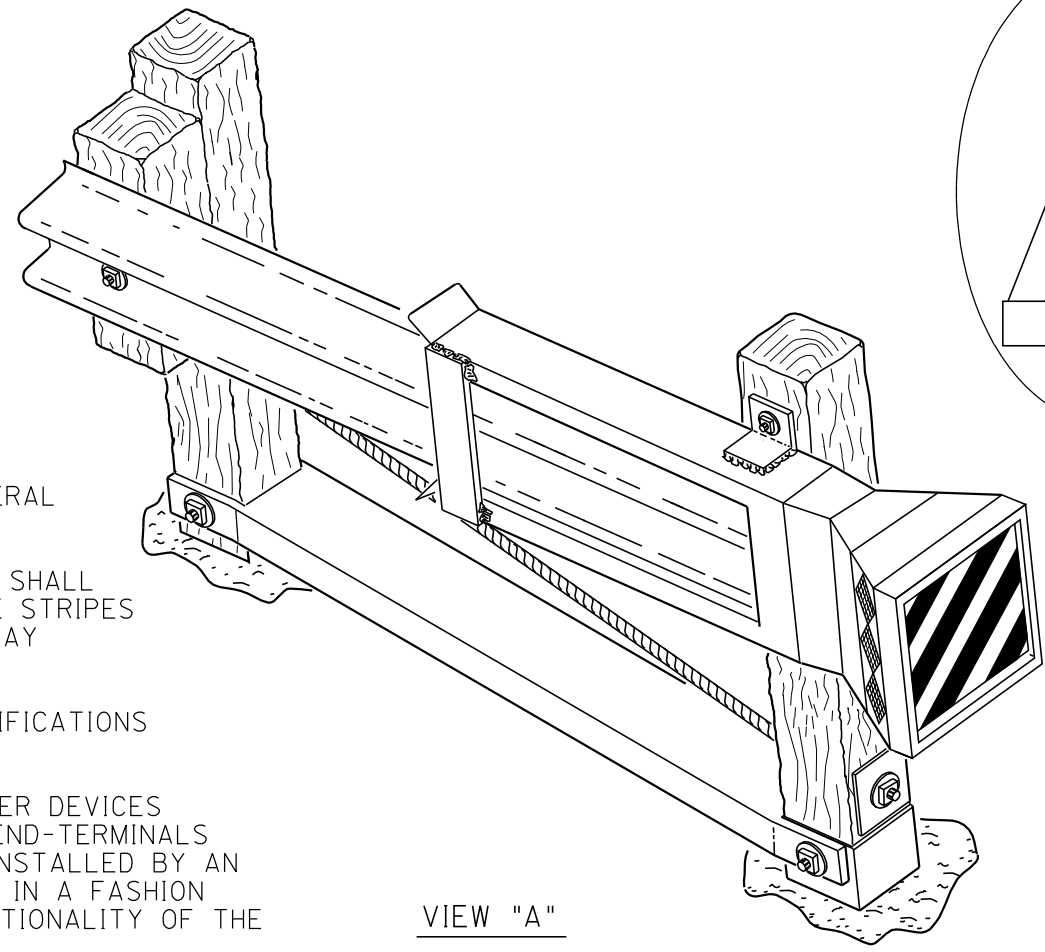
SECTION B-B  
FACING TRAFFIC  
DELINEATION FOR THE HEAD OF THE  
GUARDRAIL EXTRUDER TERMINAL



ONE-WAY ROADWAY



TWO-WAY ROADWAY



VIEW "A"

APPLICATION DETAIL FOR THE GUARDRAIL EXTRUDER TERMINAL

**NOTES:**

1. THESE DETAILS ARE APPLICABLE FOR SEVERAL MANUFACTURER'S SPECIFICATIONS.
2. ON TWO-WAY ROADWAYS, THE DELINEATION SHALL BE THE SAME FOR THE OPPOSITE END. THE STRIPES WILL POINT DOWN AND TOWARD THE ROADWAY OF ONE-WAY ROADWAYS.
3. SEE SECTION 905 OF THE STANDARD SPECIFICATIONS FOR GUARDRAIL MARKING REQUIREMENTS.
4. DELINEATORS, SNOW MARKERS OR ANY OTHER DEVICES SHALL NOT BE INSTALLED ON GUARDRAIL END-TERMINALS OR THEIR POSTS. IF THESE DEVICES ARE INSTALLED BY AN END-TERMINAL, THEY SHALL BE INSTALLED IN A FASHION THAT WILL NOT INTERFERE WITH THE FUNCTIONALITY OF THE END-TERMINAL.

NOT TO SCALE

DESIGN APPROVED	ARIZONA DEPARTMENT OF TRANSPORTATION INTERMODAL TRANSPORTATION DIVISION STANDARD DRAWINGS	REV.
<b>ARCHIVED</b>		4/05
APPROVED FOR DISTRIBUTION	GUARDRAIL EXTRUDER TERMINAL DELINEATION DETAILS	DRAWING NO. M-34