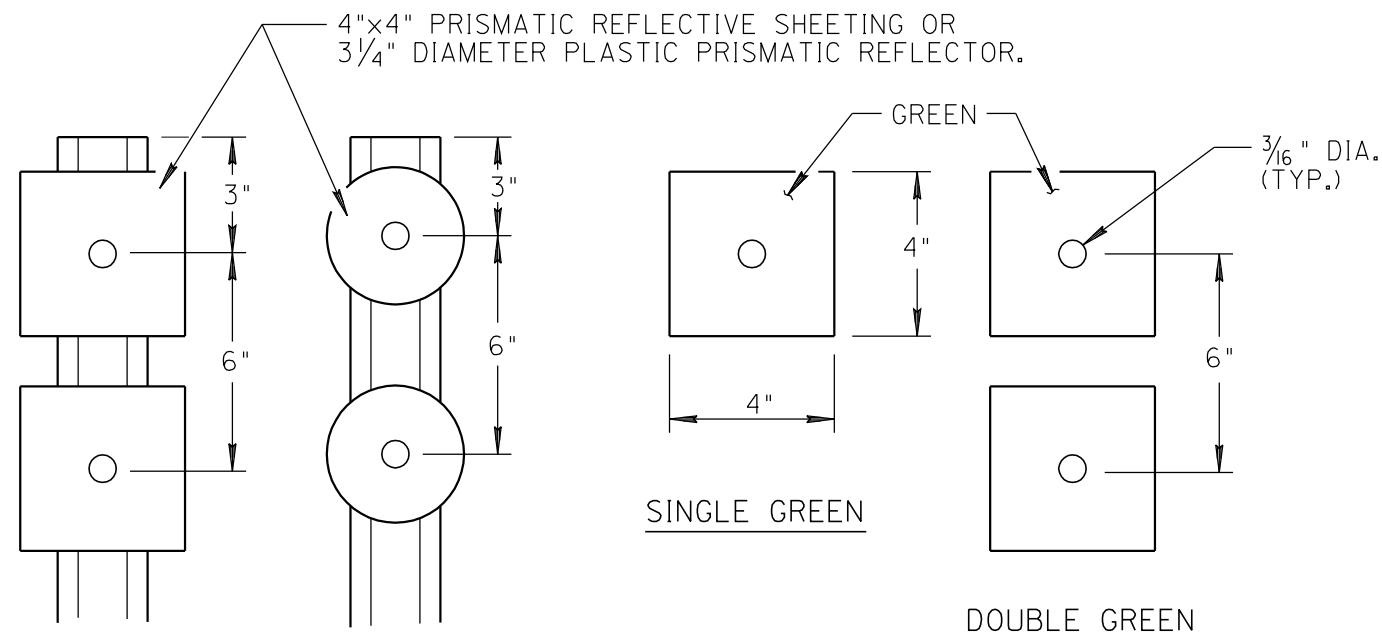
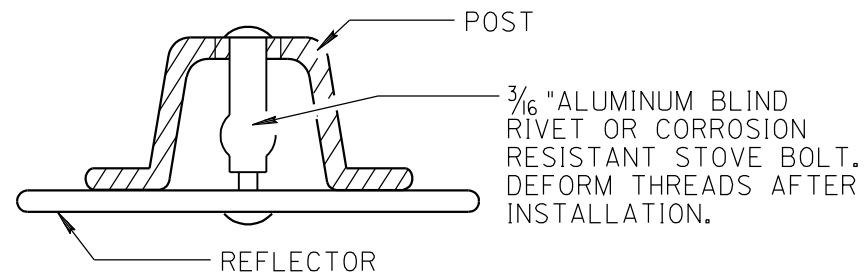


NO	DESCRIPTION OF REVISIONS	MADE BY	DATE
1	RE-ISSUE	L. LOPEZ	02/02
2			
3			
4			



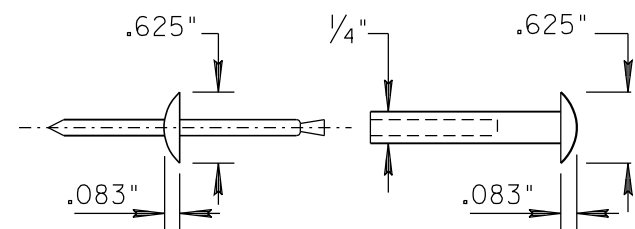
SNOW MARKER DETAILS



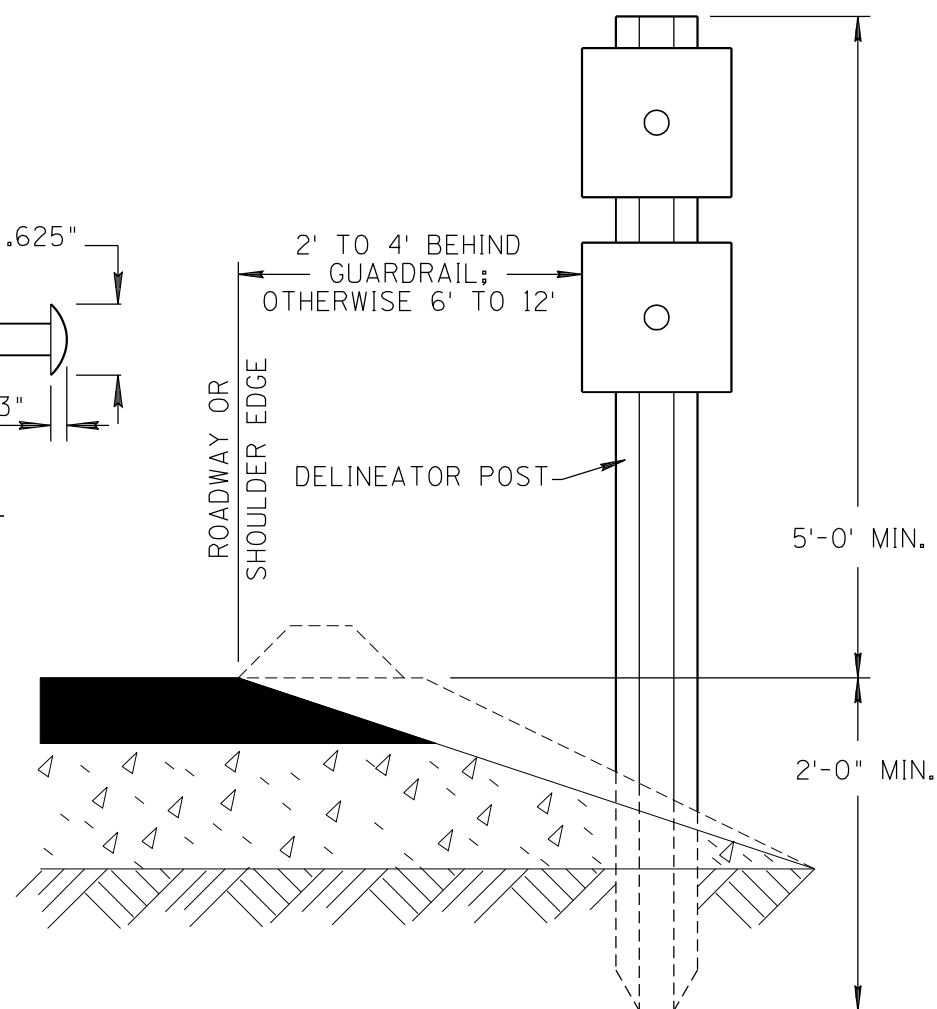
REFLECTOR ATTACHMENTS

NOTES:

1. THE SINGLE GREEN MARKER SHALL BE USED AT THE BEGINNING OF CURB AND GUARDRAIL. THE DOUBLE GREEN MARKER SHALL BE USED AT THE END OF CURB AND GUARDRAIL.
2. WHERE EMBANKMENT CURB BEGINS AT OR NEAR THE TANGENT SECTION OF GUARDRAIL, THE DOUBLE GREEN MARKER SHALL NOT BE INSTALLED FOR THE CURB.
3. WHERE EMBANKMENT CURB ENDS BEFORE OR IMMEDIATELY BEYOND THE END OF GUARDRAIL, THE DOUBLE GREEN MARKER SHALL NOT BE INSTALLED FOR THE CURB.
4. REFLECTIVE DEVICES SHALL BE EITHER 3/4" DIAMETER PLASTIC PRISMATIC REFLECTORS OR 4"x4" PRISMATIC REFLECTIVE SHEETING; HOWEVER, A SINGLE STYLE MUST BE USED THROUGHOUT THE PROJECT.
5. PLASTIC PRISMATIC REFLECTORS SHALL BE GREEN AND SHALL CONFORM TO SECTION 1008 OF THE STANDARD SPECIFICATIONS.
6. PRISMATIC REFLECTIVE SHEETING REFLECTORS SHALL BE GREEN AND SHALL CONFORM TO SECTION 1007 OF THE STANDARD SPECIFICATIONS.
7. BACKPLATES FOR REFLECTIVE SHEETING REFLECTORS SHALL BE FABRICATED FROM .080" THICK 3003-H14, 3015, 5052-H38 OR 6061-T6 ALUMINUM ALLOY ETCHED ON BOTH SIDES.
8. SNOW MARKER POSTS SHOULD BE GREATER THAN 7'-5" IN LENGTH.
9. SEE STANDARD DRAWING M-25 FOR GALVANIZED STEEL POST DETAILS.
10. FLEXIBLE POSTS MAY BE USED.
11. SNOW MARKERS MAY BE USED IN CONJUNCTION WITH DELINEATORS FOR LOCATIONS OTHER THAN THE ENDS OF CURB AND GUARDRAIL.
12. PRISMATIC REFLECTOR DIMENSIONS ARE NOMINAL.
13. ALL DIMENSIONS ARE IN INCHES, EXCEPT AS NOTED.



BLIND RIVET DETAIL



INSTALLATION DETAIL

NOT TO SCALE

DESIGN APPROVED	ARIZONA DEPARTMENT OF TRANSPORTATION INTERMODAL TRANSPORTATION DIVISION STANDARD DRAWINGS	REV.
APPROVED FOR DISTRIBUTION		2/02
SNOW MARKER DETAILS		DRAWING NO. M-31