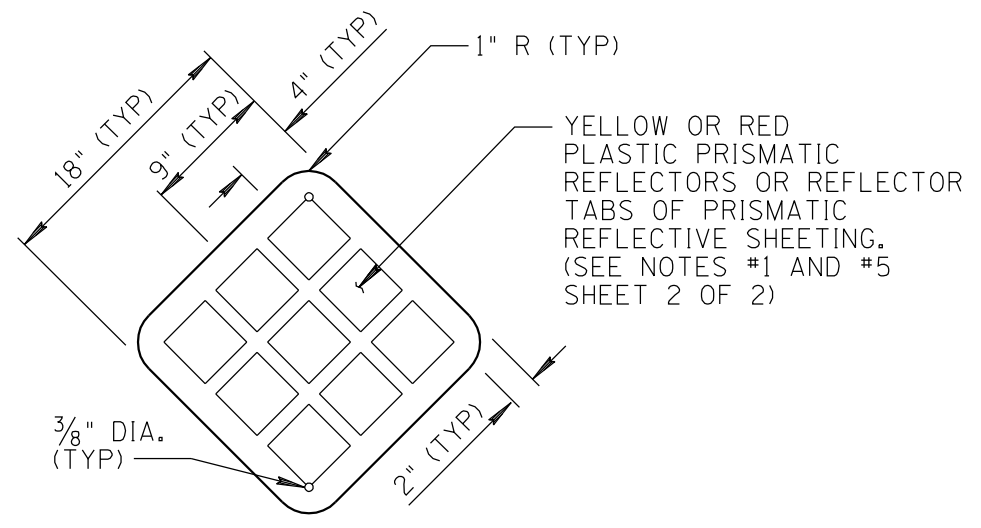
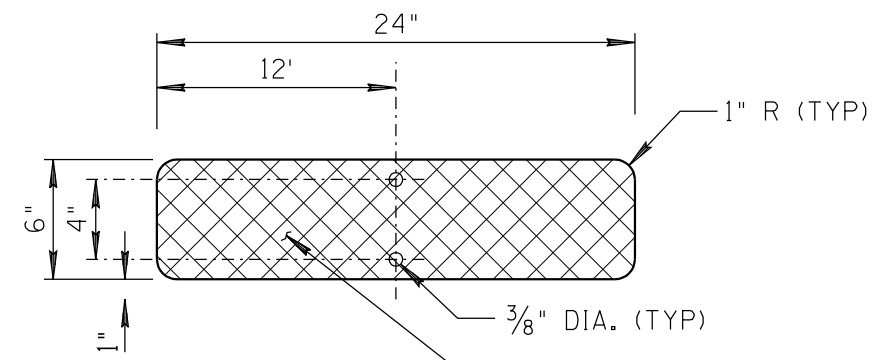


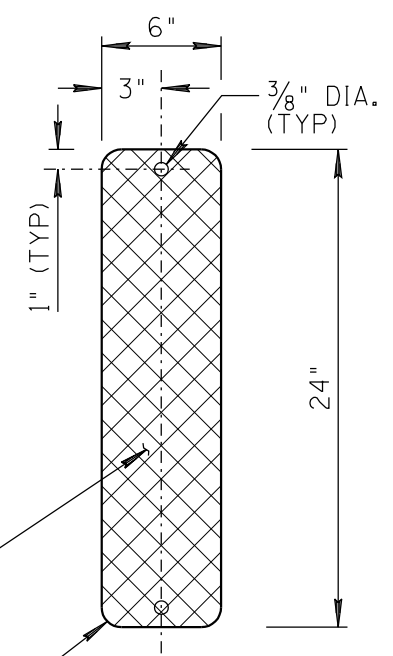
NO	DESCRIPTION OF REVISIONS	MADE BY	DATE
1	RE-ISSUE	L. LOPEZ	2/02
2	RE-DESIGN TYPE 2 OBJECT MARKERS	M. ZUBI	5/03
3			
4			



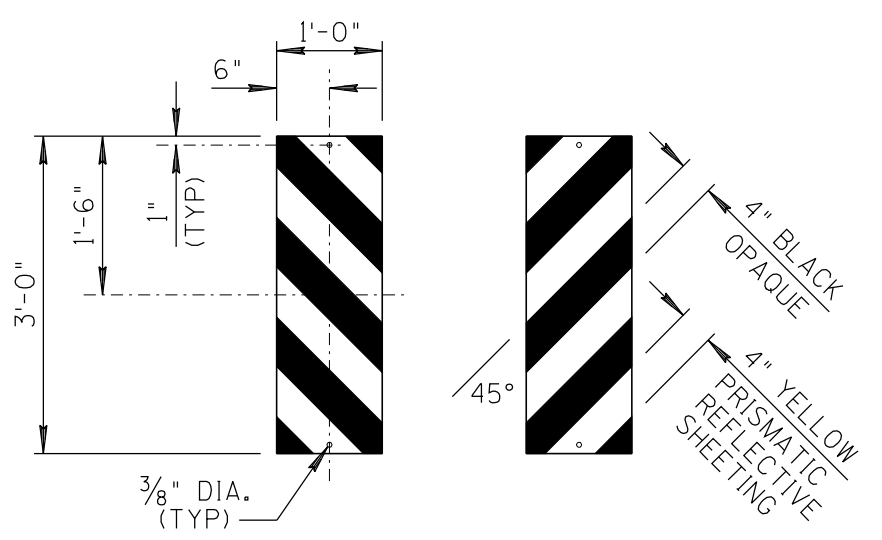
TYPE 1 OR 4  
OBJECT MARKER



TYPE 2  
OBJECT MARKER  
HORIZONTAL

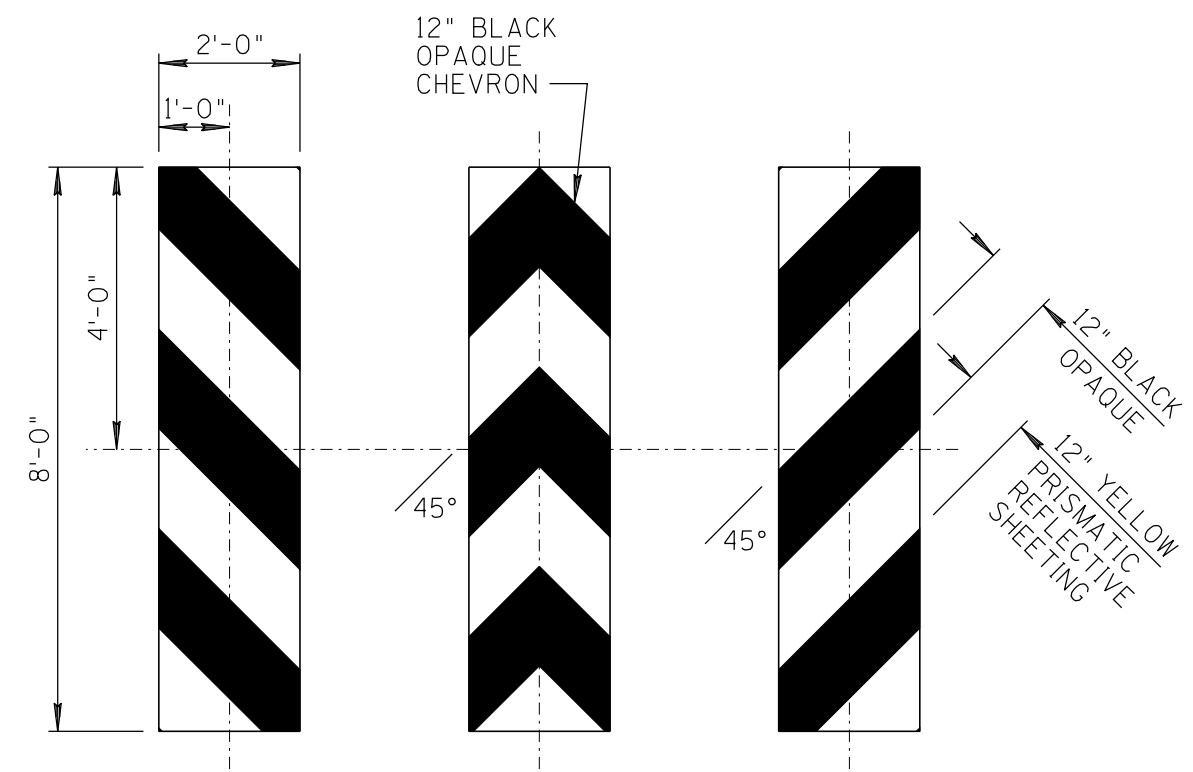


TYPE 2  
OBJECT MARKER  
VERTICAL



TYPE 3(1)L

TYPE 3(1)R



TYPE 3(2)L

TYPE 3(2)C

TYPE 3(2)R

TYPE 3  
OBJECT MARKERS

SHEET 1 OF 2  
NOT TO SCALE

DESIGN APPROVED <b>APPROVED FOR DISTRIBUTION</b>	ARIZONA DEPARTMENT OF TRANSPORTATION INTERMODAL TRANSPORTATION DIVISION STANDARD DRAWINGS	REV. 5/03
	OBJECT MARKER DETAILS	DRAWING NO. M-23