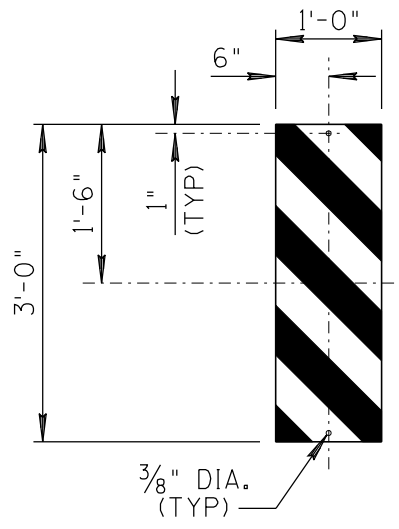
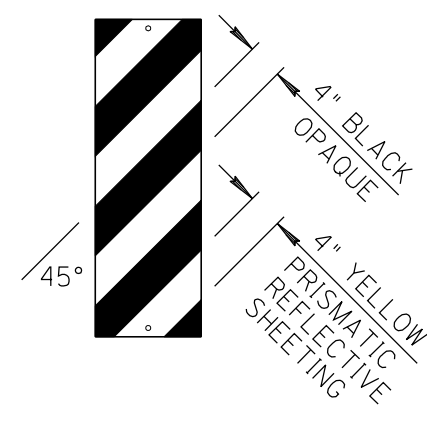


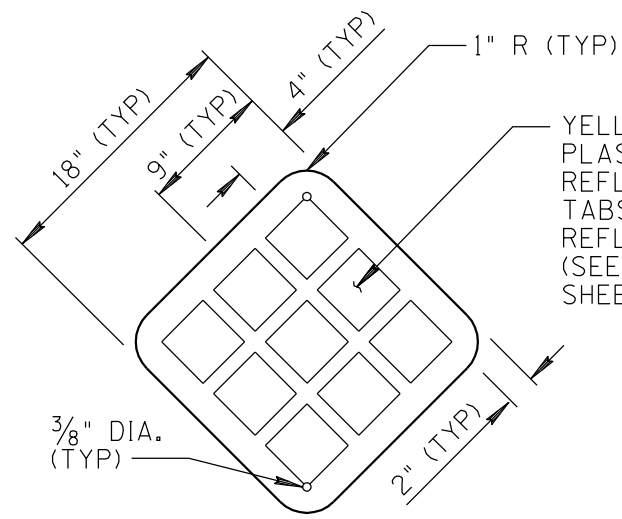
NO	DESCRIPTION OF REVISIONS	MADE BY	DATE
1	RE-ISSUE	L. LOPEZ	2/02
2	RE-DESIGN TYPE 2 OBJECT MARKERS	M. ZUBI	5/03
3	ADDED ATTENUATOR OBJECT MARKER DETAIL	L. LOPEZ	12/08
4			



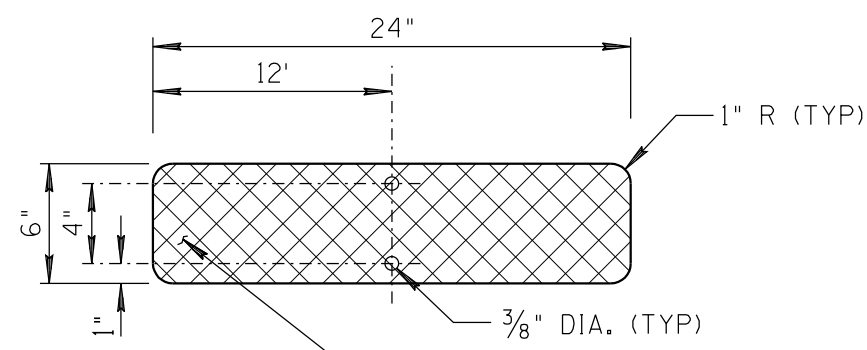
TYPE 3(1)L



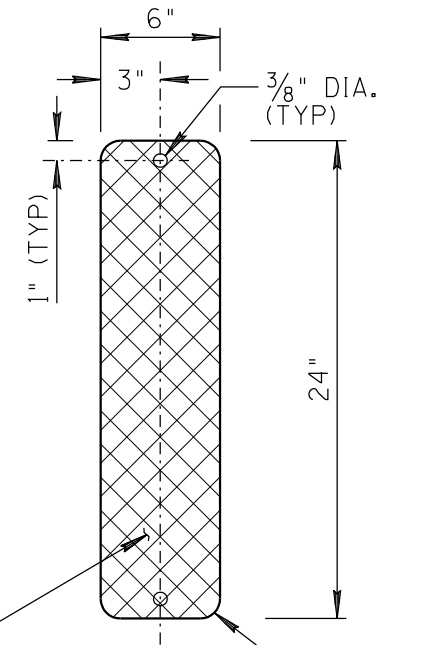
TYPE 3(1)R



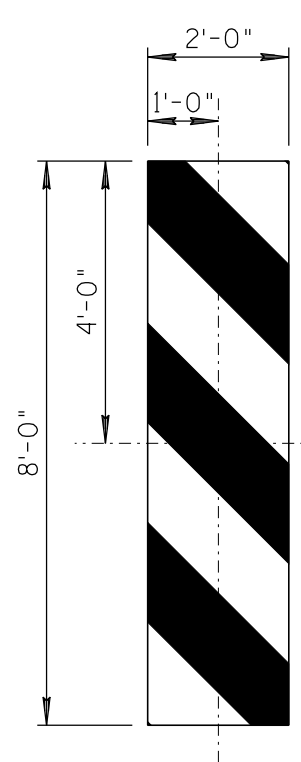
TYPE 1 OR 4  
OBJECT MARKER



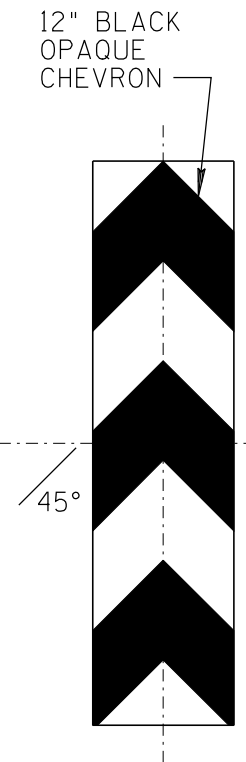
TYPE 2  
OBJECT MARKER  
HORIZONTAL



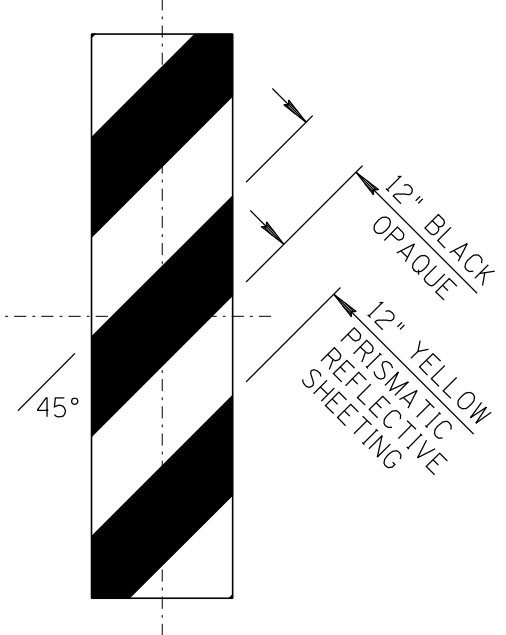
TYPE 2  
OBJECT MARKER  
VERTICAL



TYPE 3(2)L

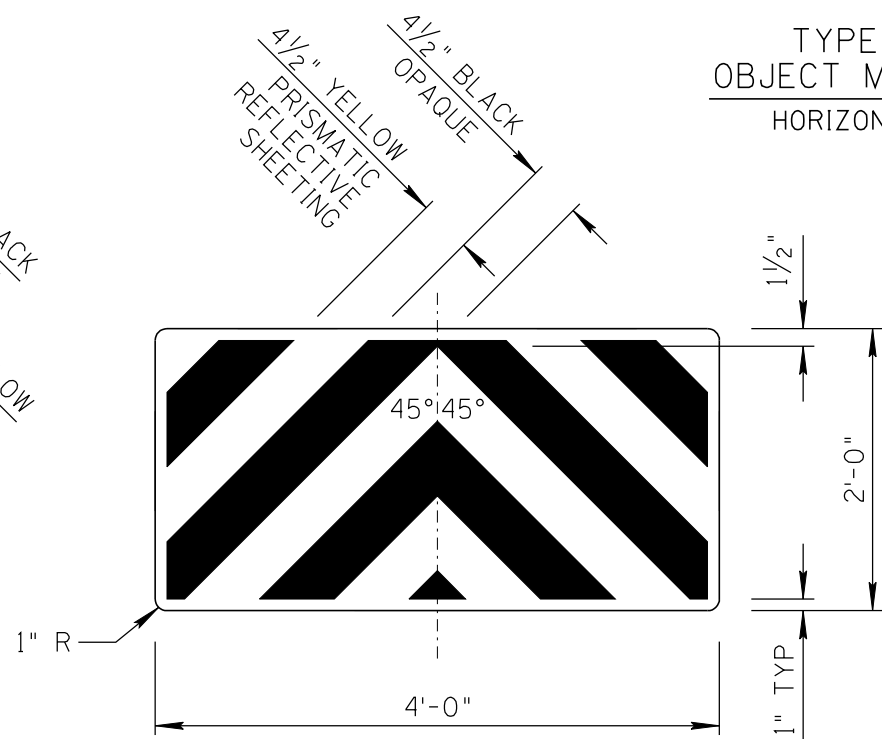


TYPE 3(2)C



TYPE 3(2)R

TYPE 3  
OBJECT MARKERS



ATTENUATOR OBJECT MARKER DETAILS

SHEET 1 OF 2  
NOT TO SCALE

DESIGN APPROVED	ARIZONA DEPARTMENT OF TRANSPORTATION INTERMODAL TRANSPORTATION DIVISION STANDARD DRAWINGS	REV.
<b>APPROVED FOR DISTRIBUTION</b>		12/08
OBJECT MARKER DETAILS		DRAWING NO. M-23