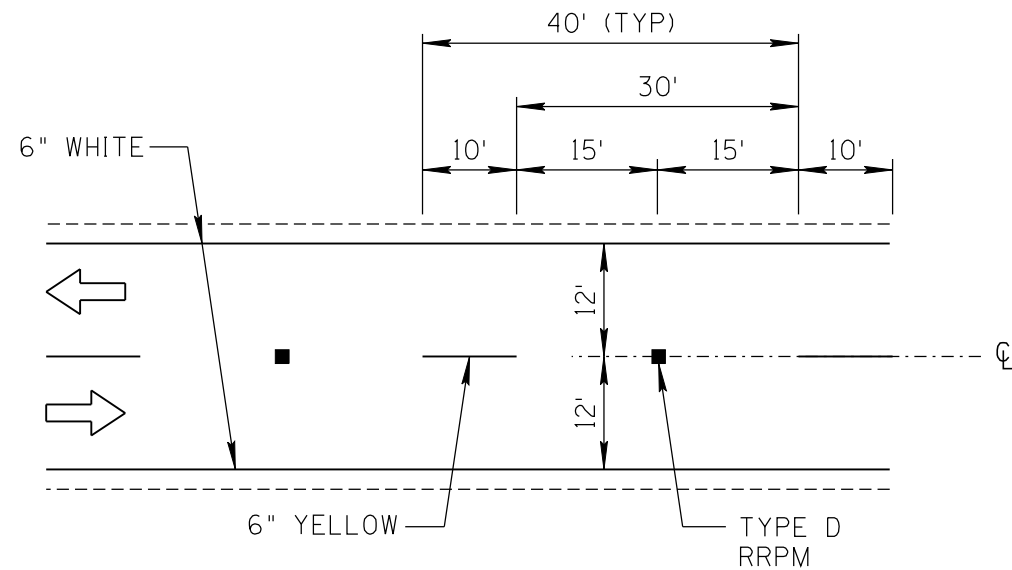
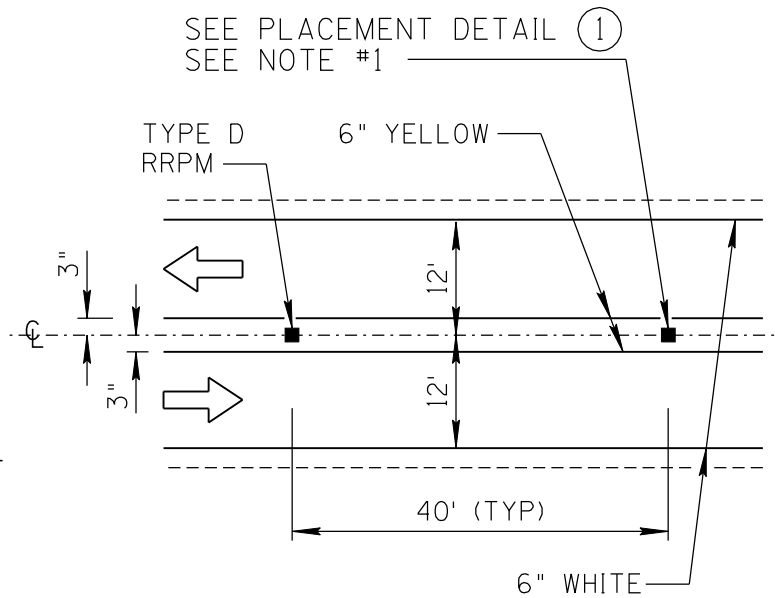


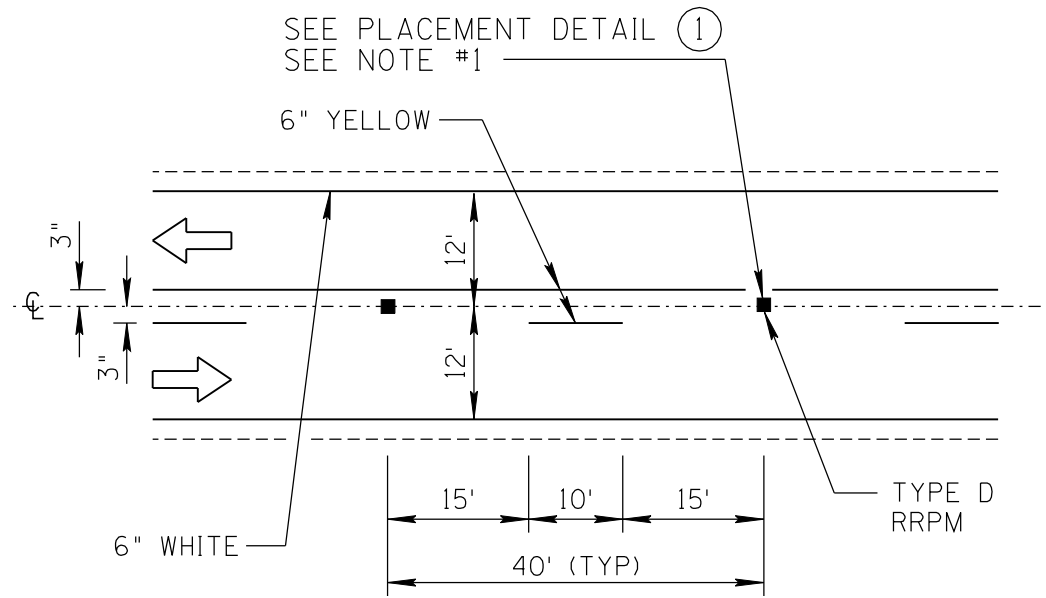
NO	DESCRIPTION OF REVISIONS	MADE BY	DATE
1	RE-ISSUE	L. LOPEZ	2/02
2	CHANGED SHEET NUMBER, EDIT NOTES.	L. LOPEZ	6/08
3			
4			



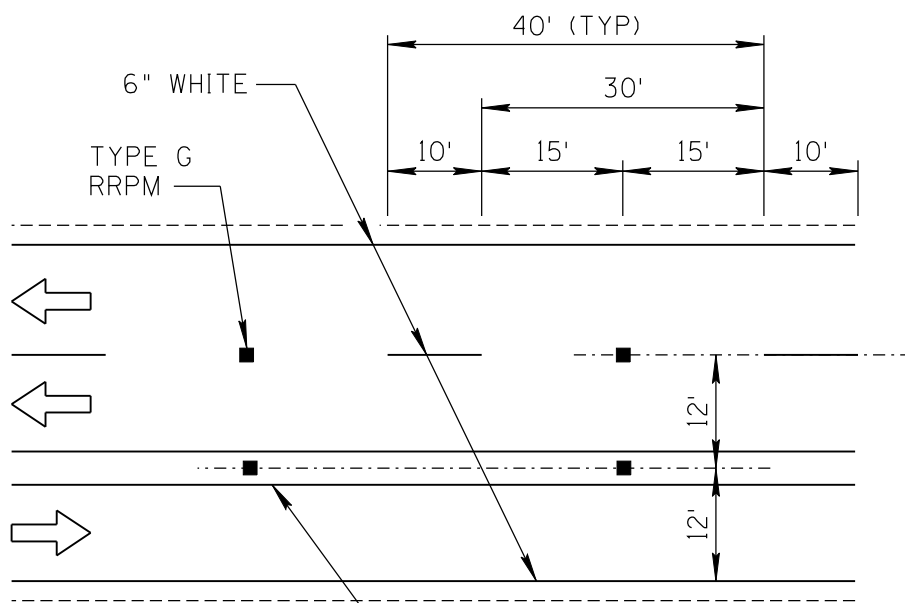
TWO-WAY PASSING ZONE



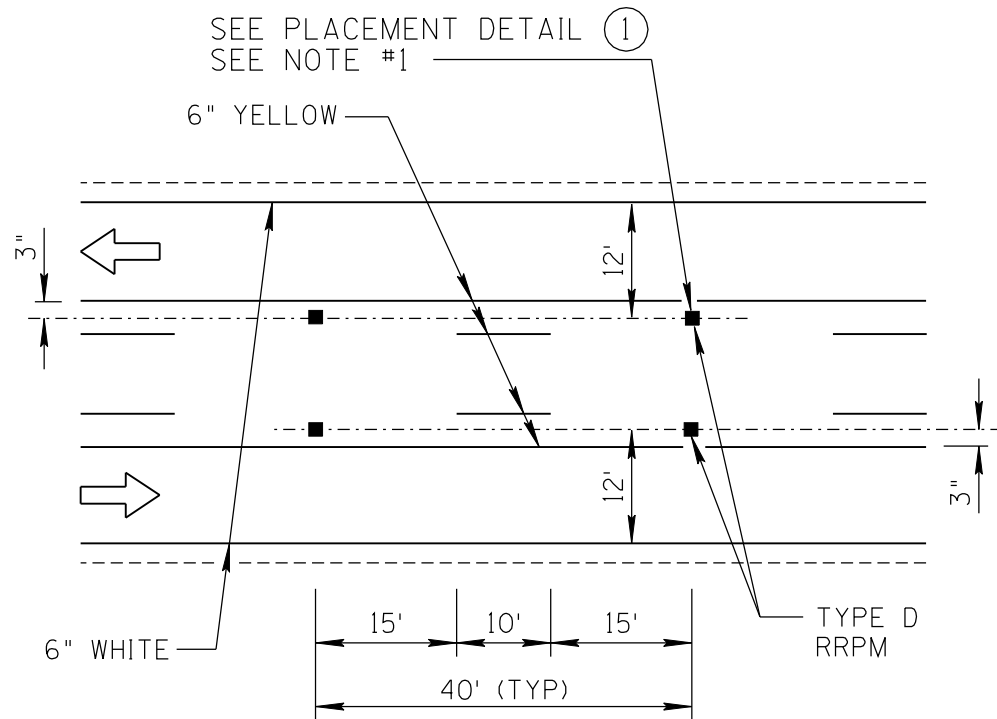
NO PASSING ZONE



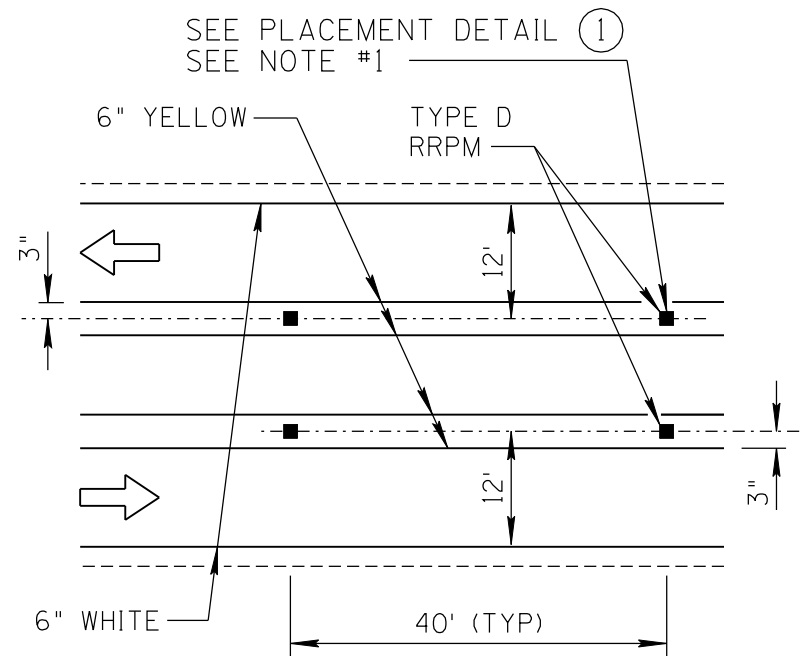
PASSING ONE-SIDE



PASSING/CLIMBING LANE



TWO-WAY LEFT-TURN LANE



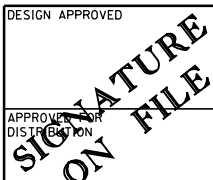
STRIPED MEDIAN

SEE "NO PASSING ZONE" DETAIL FOR CENTERLINE ARRANGEMENT

**NOTES:**

1. PLACEMENT DETAIL ① IS SHOWN ON SHEET 10 OF 10 OF THIS STANDARD DRAWING.

SHEET 6 OF 10  
NOT TO SCALE

DESIGN APPROVED  APPROVED DISTRIBUTION ON FILE	ARIZONA DEPARTMENT OF TRANSPORTATION INTERMODAL TRANSPORTATION DIVISION STANDARD DRAWINGS	REV. 6/08
	SERIES 40 RETROREFLECTIVE RAISED PAVEMENT MARKERS (RRPM) FOR UNDIVIDED HIGHWAYS	DRAWING NO. M-19