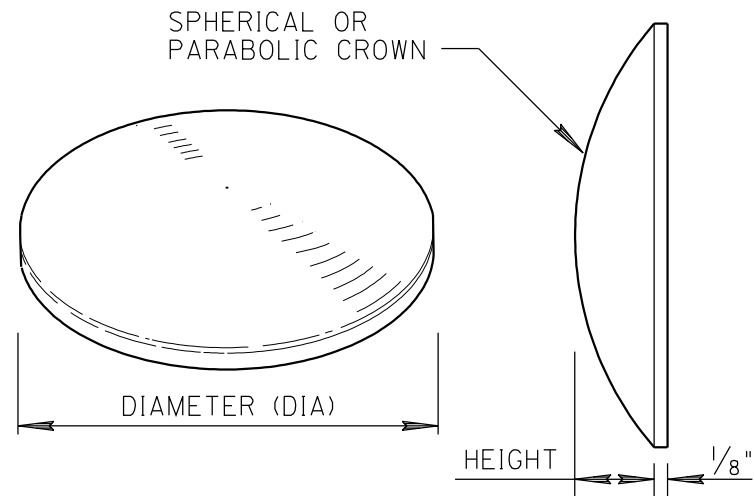


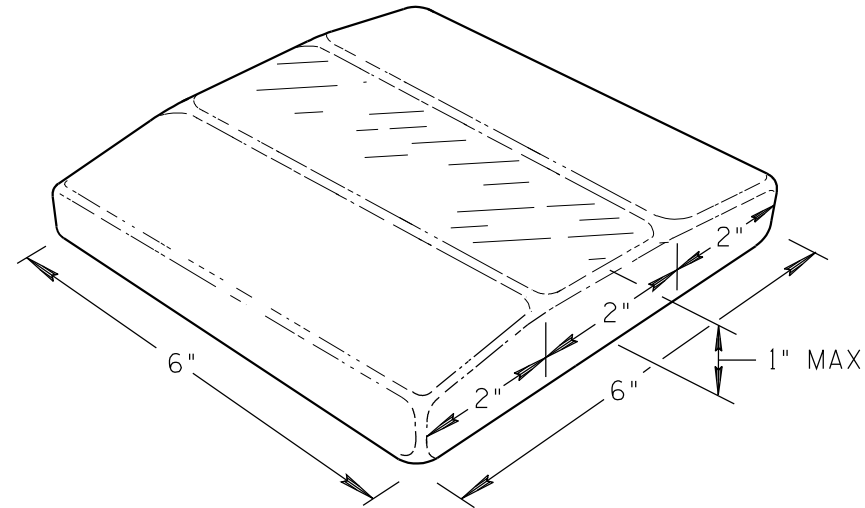
NO	DESCRIPTION OF REVISIONS	MADE BY	DATE
1	RE-ISSUE	L. LOPEZ	2/02
2	CHANGED TOTAL SHEET NUMBER	L. LOPEZ	6/08
3			
4			



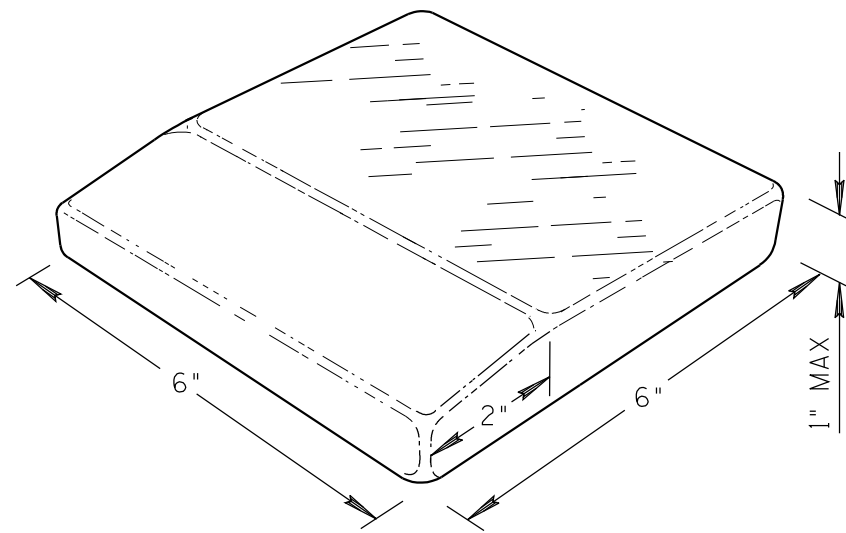
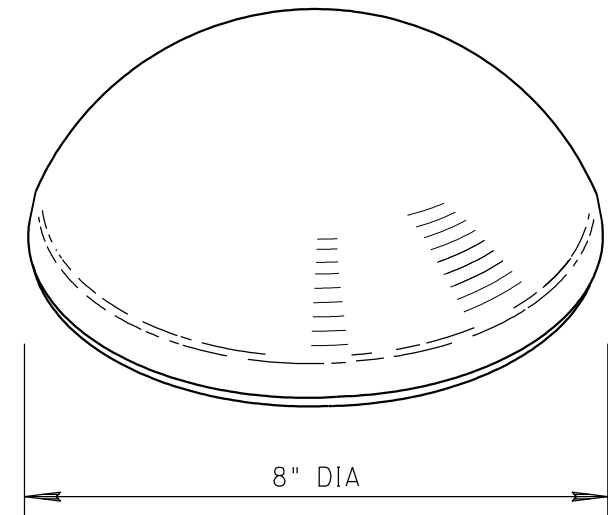
TYPES A, AY AND AB

TYPES B AND BY (NOT SHOWN)

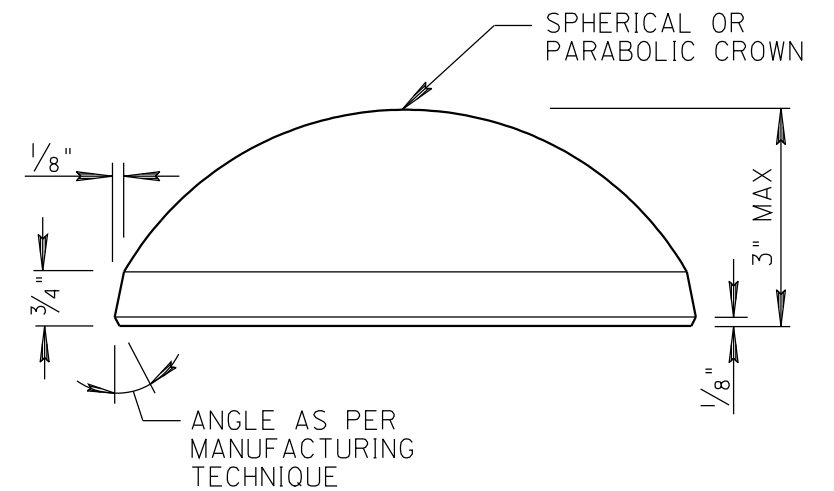
MARKER TYPE	DIA	HEIGHT
A, AY & AB	4"	3/4" MAX
B & BY	6"	1 3/4" MAX



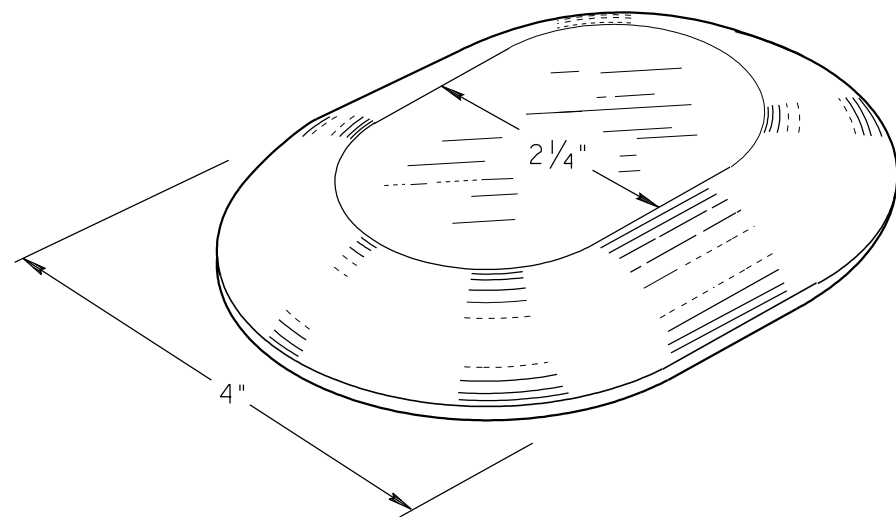
TYPES O AND OY JIGGLE BAR



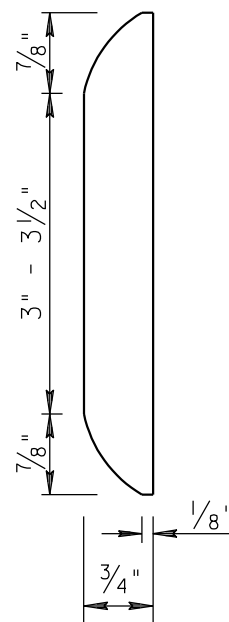
TYPES N AND NY JIGGLE BAR



TYPES M AND MY,
LARGE CHANNEL MARKER



TYPES Q AND QY OVAL



NOTES:

1. SEE THE SPECIFICATIONS FOR ADDITIONAL REQUIREMENTS.
2. ALL DIMENSIONS ARE NOMINAL, EXCEPT AS OTHERWISE NOTED.
3. THE HEIGHT OF JIGGLE BARS CAN BE REDUCED TO 3/4 INCH IF CALLED FOR ON THE PLANS.

DESIGN APPROVED ARCHIVED	ARIZONA DEPARTMENT OF TRANSPORTATION INTERMODAL TRANSPORTATION DIVISION STANDARD DRAWINGS	REV. 6/08
	NON-REFLECTIVE RAISED PAVEMENT MARKER DETAILS	DRAWING NO. M-19