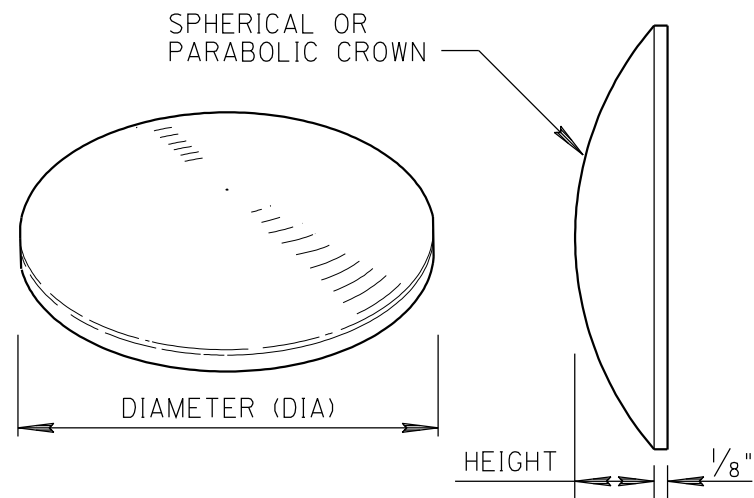


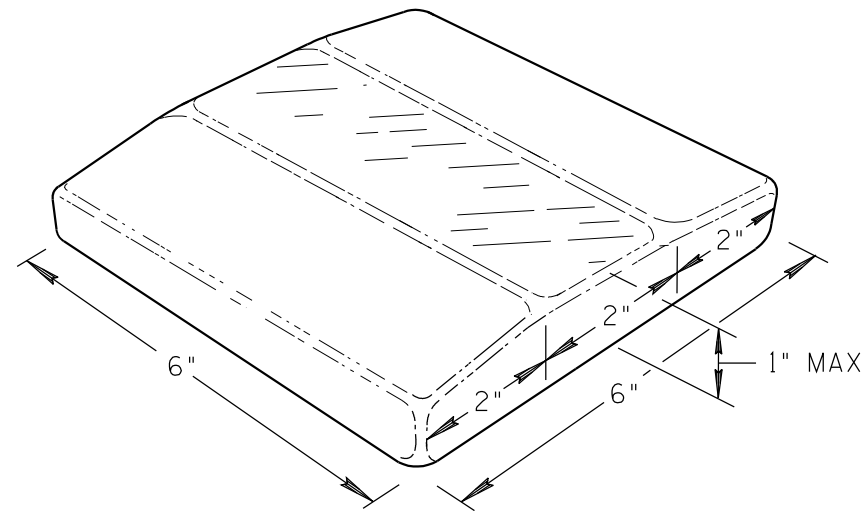
| NO | DESCRIPTION OF REVISIONS | MADE BY  | DATE |
|----|--------------------------|----------|------|
| 1  | RE-ISSUE                 | L. LOPEZ | 2/02 |
| 2  |                          |          |      |
| 3  |                          |          |      |
| 4  |                          |          |      |



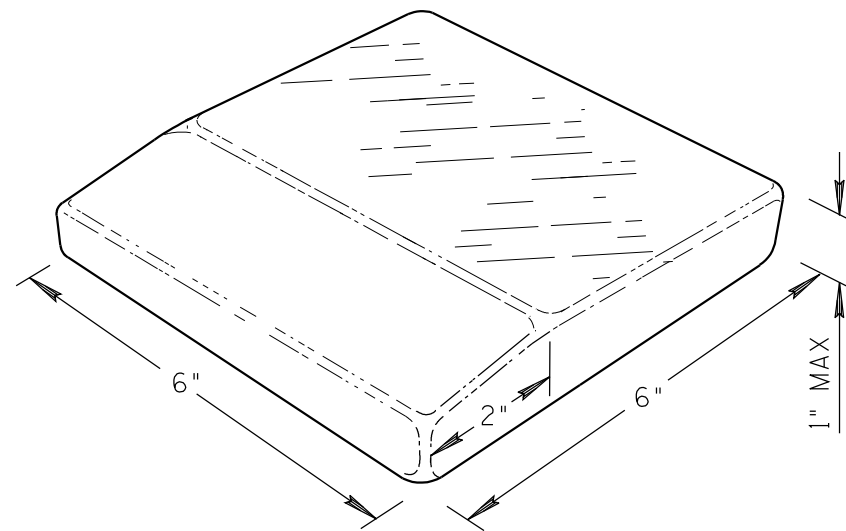
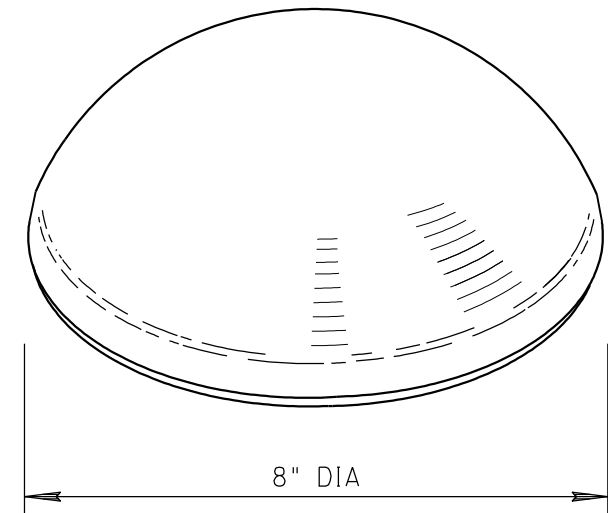
TYPES A, AY AND AB

TYPES B AND BY (NOT SHOWN)

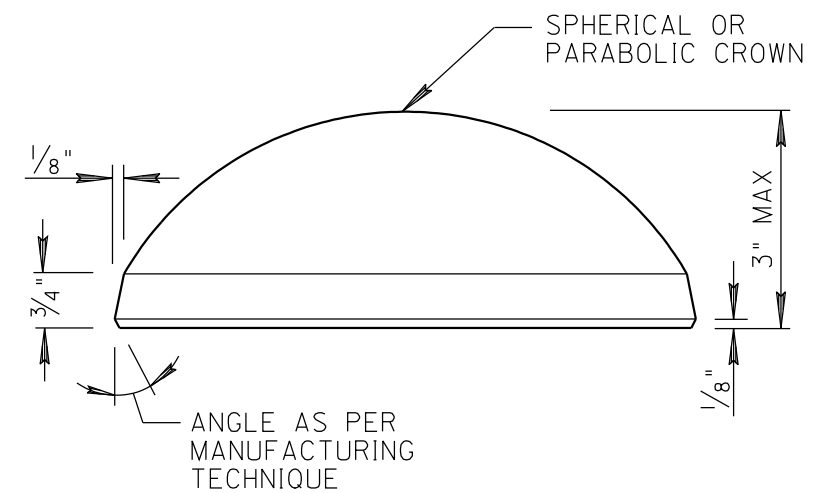
| MARKER TYPE | DIA | HEIGHT     |
|-------------|-----|------------|
| A, AY & AB  | 4"  | 3/4" MAX   |
| B & BY      | 6"  | 1 3/4" MAX |



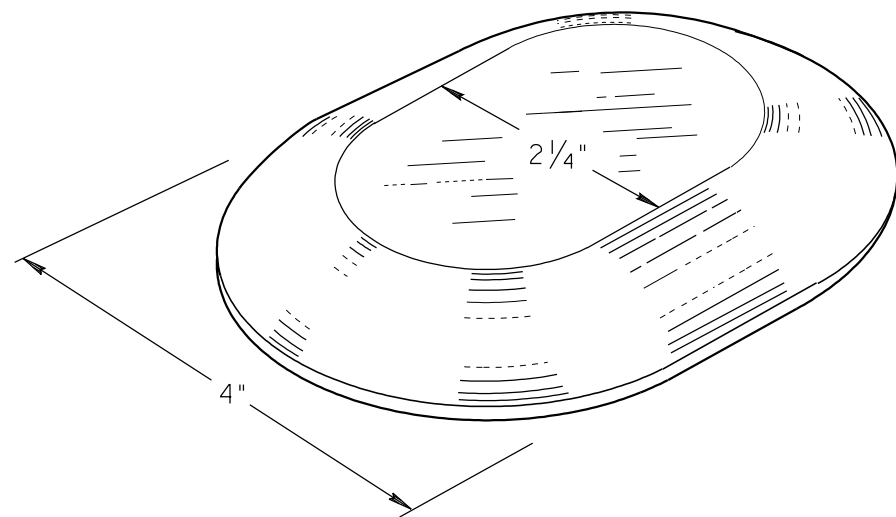
TYPES O AND OY JIGGLE BAR



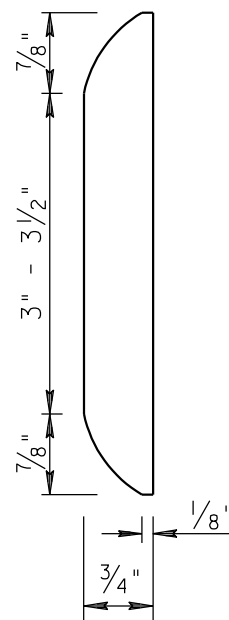
TYPES N AND NY JIGGLE BAR



TYPES M AND MY,  
LARGE CHANNEL MARKER



TYPES Q AND QY OVAL



NOTES:

1. SEE THE SPECIFICATIONS FOR ADDITIONAL REQUIREMENTS.
2. ALL DIMENSIONS ARE NOMINAL, EXCEPT AS OTHERWISE NOTED.
3. THE HEIGHT OF JIGGLE BARS CAN BE REDUCED TO 3/4 INCH IF CALLED FOR ON THE PLANS.

|  |   |                     |
|--|---|---------------------|
| DESIGN APPROVED<br><br><b>ARCHIVED</b> | ARIZONA DEPARTMENT OF TRANSPORTATION<br>INTERMODAL TRANSPORTATION DIVISION<br>STANDARD DRAWINGS | REV.<br>2/02        |
|  | NON-REFLECTIVE RAISED<br>PAVEMENT MARKER DETAILS  | DRAWING NO.<br>M-19 |