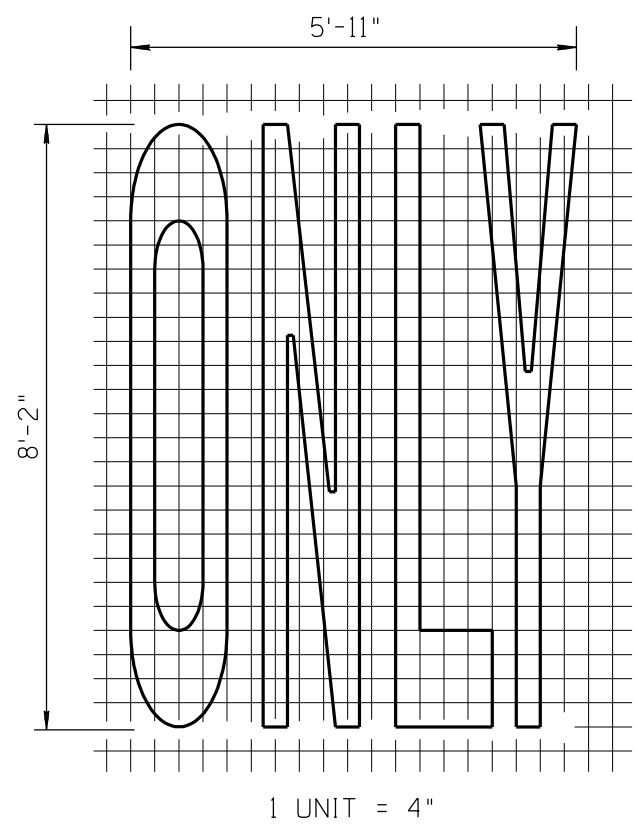
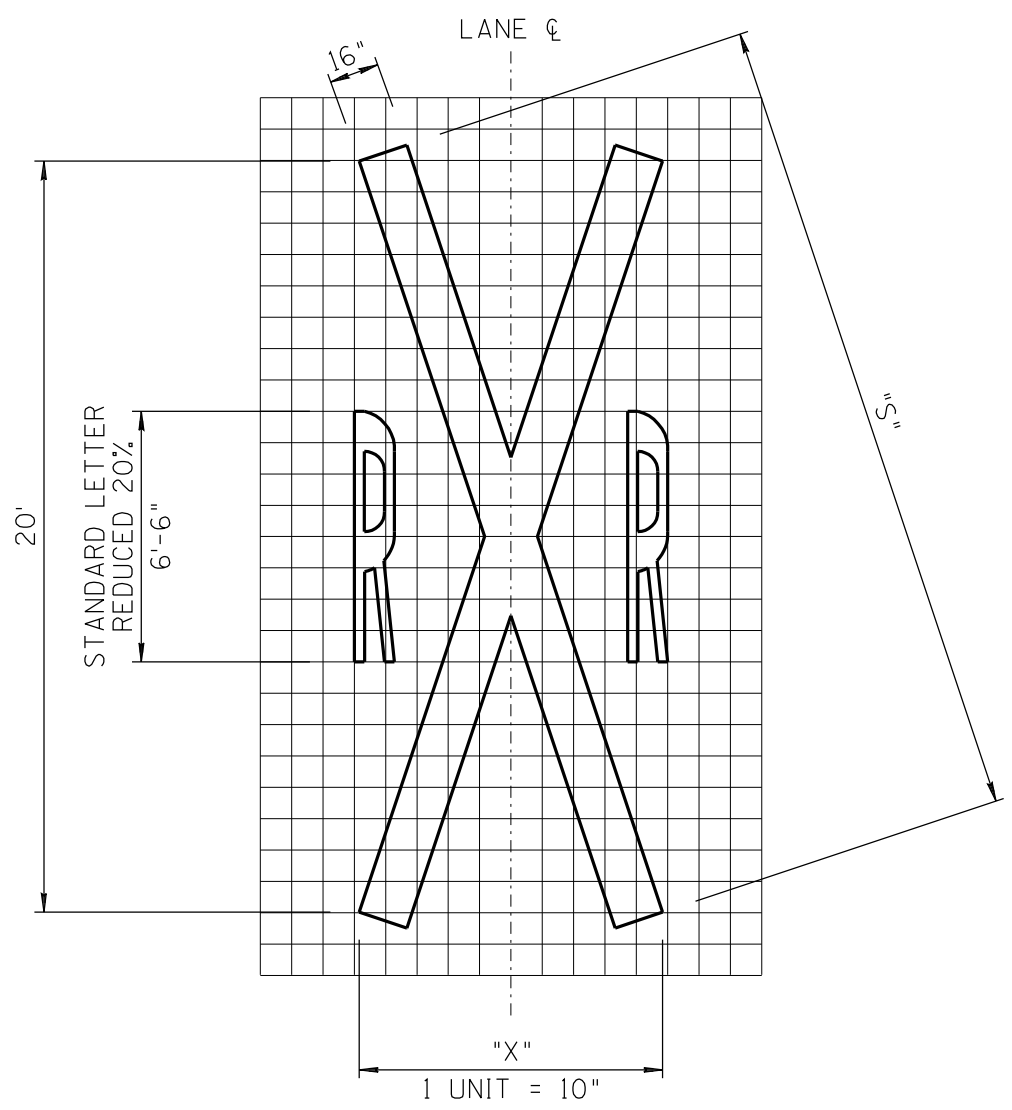


NO	DESCRIPTION OF REVISIONS	MADE BY	DATE
1	ADDED PAVEMENT ARROW TO SHT 1 OF 2. CREATED SHT 2.	L. LOPEZ	5/03
2			
3			
4			



VARIABLE MARKING DIMENSIONS		
LANE WIDTH (FEET)	"X" (FEET)	"S" (FEET)
8	6.5	21
9 TO 11	7	21.2
12	8	21.5
13	9	21.9
≥ 14	10	22.4

PAVEMENT MARKING DETAILS
 1 UNIT = 4"
 ALL SYMBOLS/LEGEND SHALL BE WHITE

SHEET 2 OF 2
 NOT TO SCALE

DESIGN APPROVED	ARIZONA DEPARTMENT OF TRANSPORTATION INTERMODAL TRANSPORTATION DIVISION STANDARD DRAWINGS	REV. 5/03
APPROVED FOR DISTRIBUTION		DRAWING NO. M-10
PAVEMENT MARKING SYMBOLS		