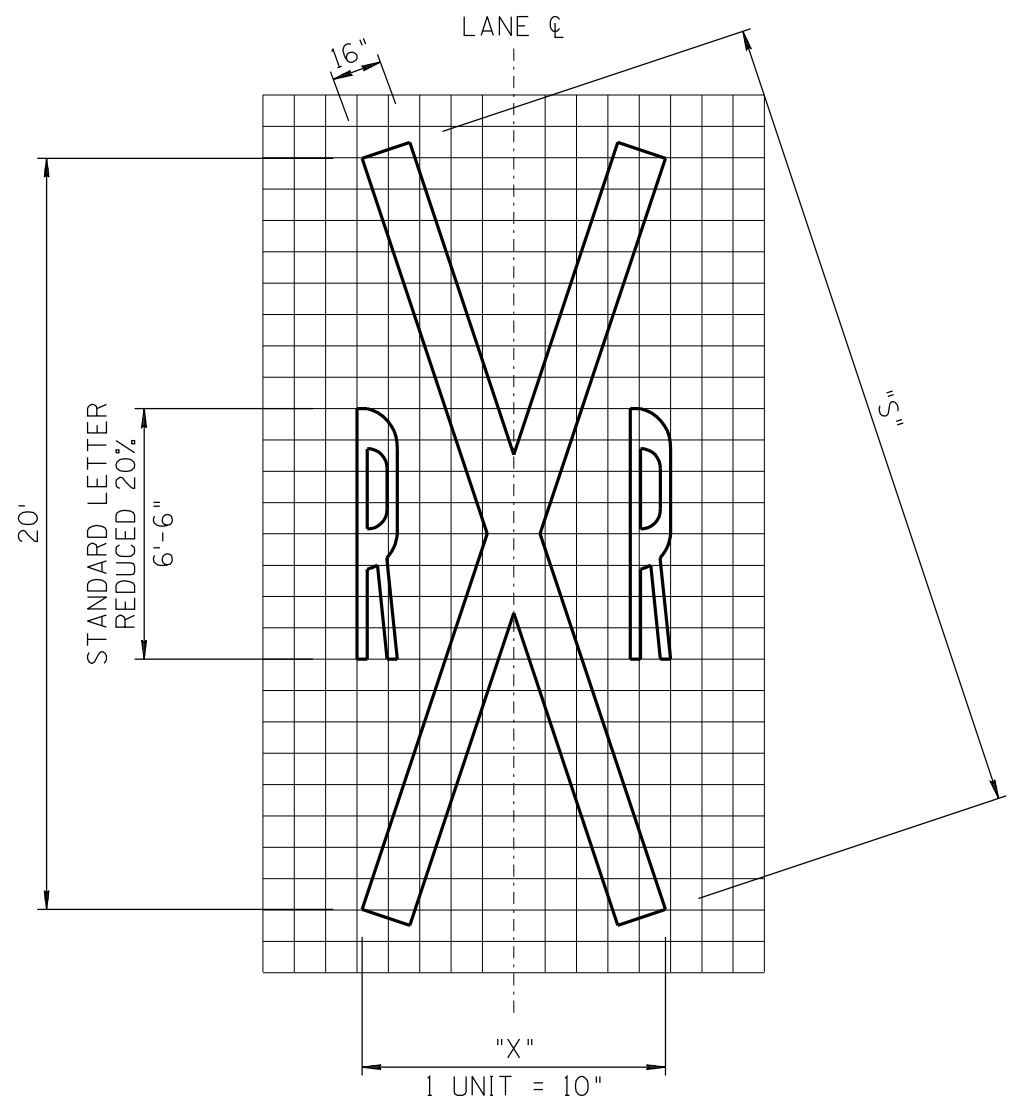
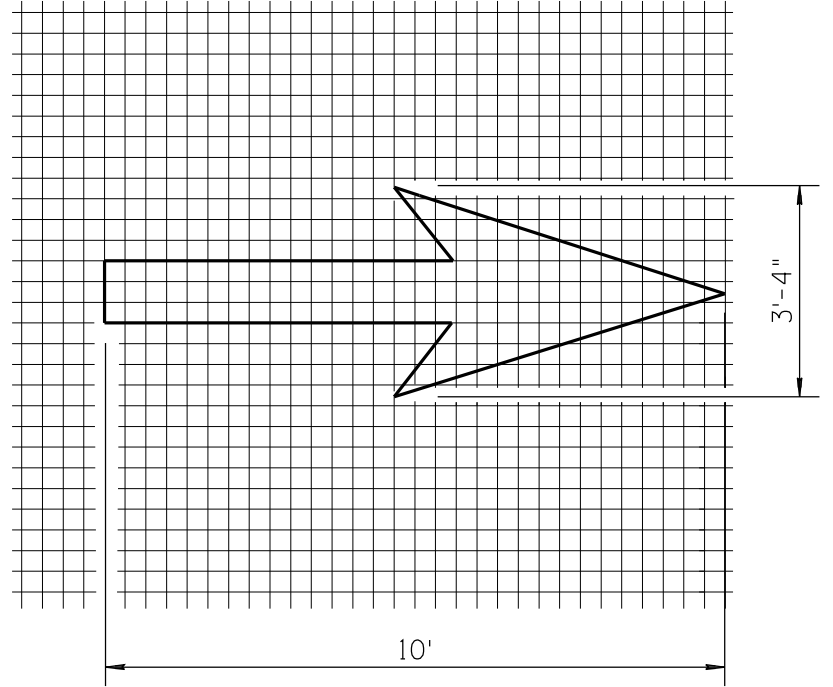
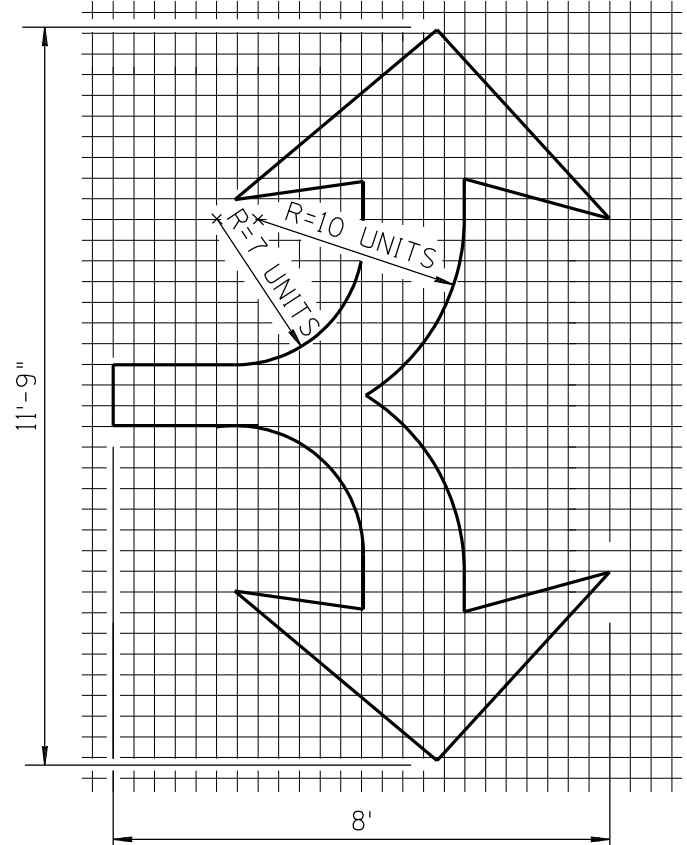
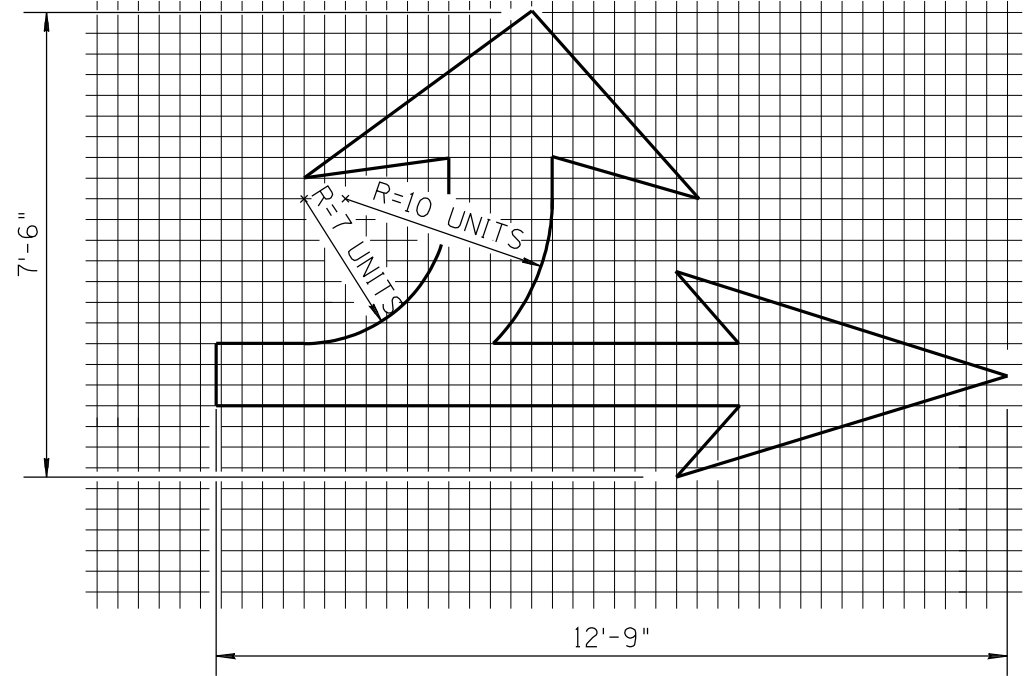
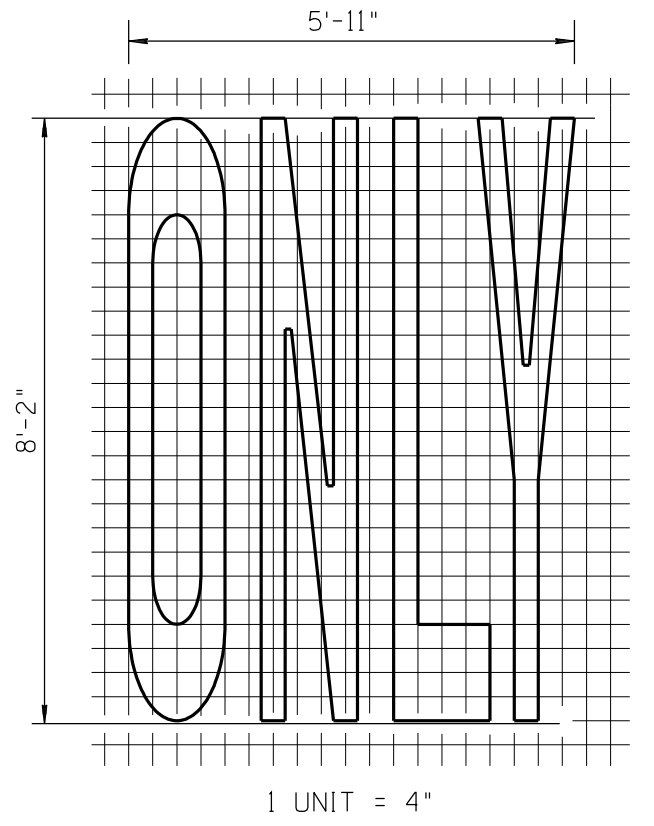
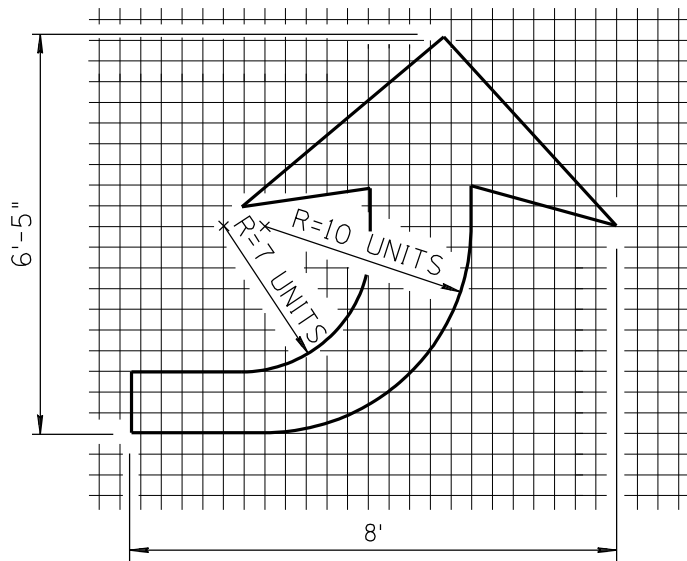


NO	DESCRIPTION OF REVISIONS	MADE BY	DATE
1	RE-ISSUE	L. LOPEZ	2/02
2			
3			
4			



**ARROW DETAILS**  
 1 UNIT = 4"  
 ALL SYMBOLS/LEGEND  
 SHALL BE WHITE



VARIABLE MARKING DIMENSIONS		
LANE WIDTH (FEET)	"X" (FEET)	"S" (FEET)
8	6.5	21
9 TO 11	7	21.2
12	8	21.5
13	9	21.9
> 14	10	22.4

NOT TO SCALE

DESIGN APPROVED APPROVED FOR DISTRIBUTION	ARIZONA DEPARTMENT OF TRANSPORTATION INTERMODAL TRANSPORTATION DIVISION STANDARD DRAWINGS	REV. 2/02
	PAVEMENT MARKING SYMBOLS	DRAWING NO. M-10