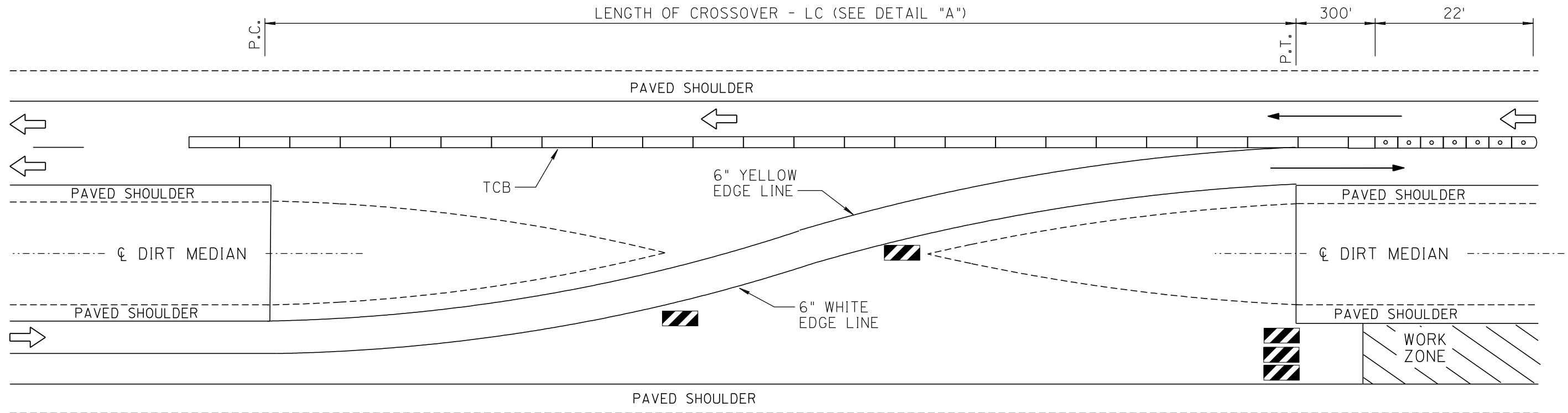
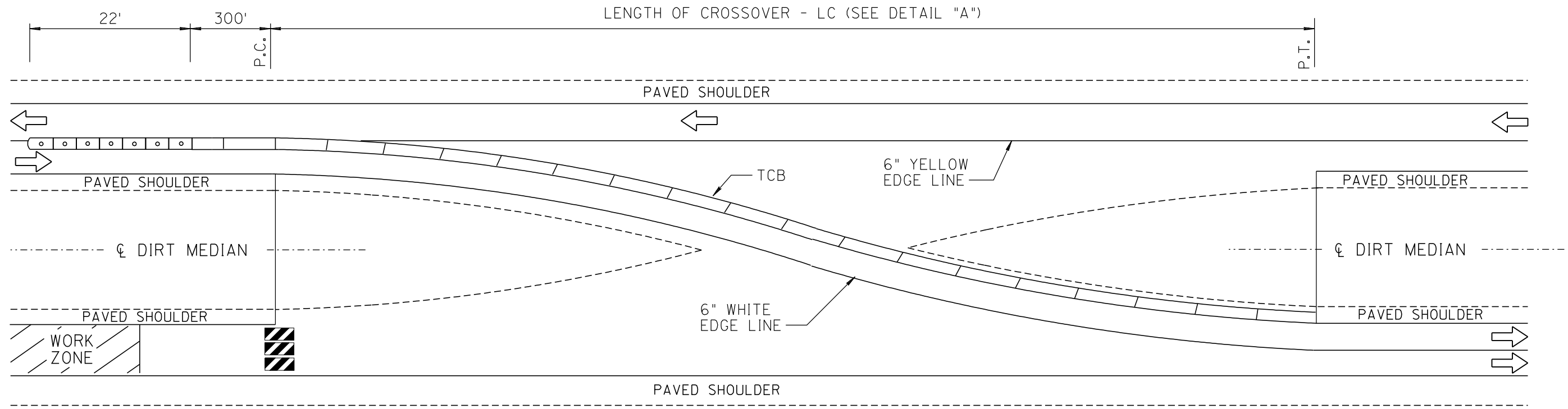


NO	DESCRIPTION OF REVISIONS	MADE BY	DATE
1	RE-ISSUE	L. LOPEZ	2/02
2			
3			
4			



BEGINNING OF DETOUR



END OF DETOUR

SHEET 2 OF 2  
NOT TO SCALE

DESIGN APPROVED  <b>APPROVED FOR DISTRIBUTION</b>	ARIZONA DEPARTMENT OF TRANSPORTATION INTERMODAL TRANSPORTATION DIVISION STANDARD DRAWINGS	REV. 2/02
	TYPICAL END TREATMENTS FOR DETOURS USING TEMPORARY CONCRETE BARRIER (TCB)	DRAWING NO. C-4