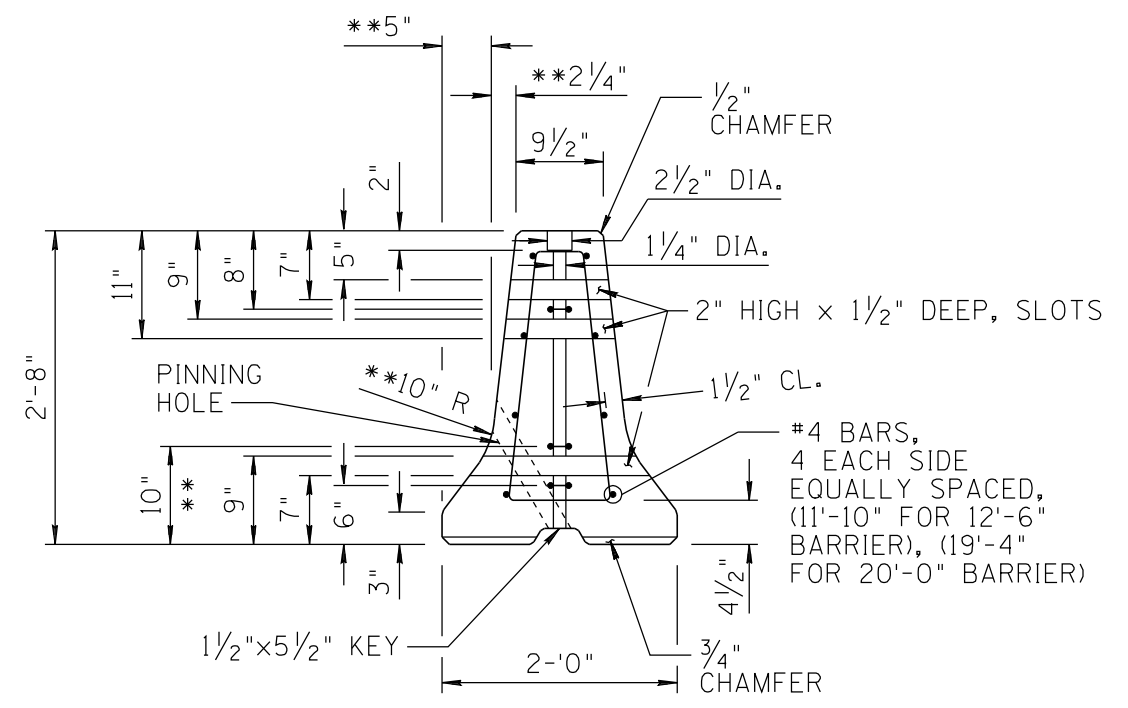
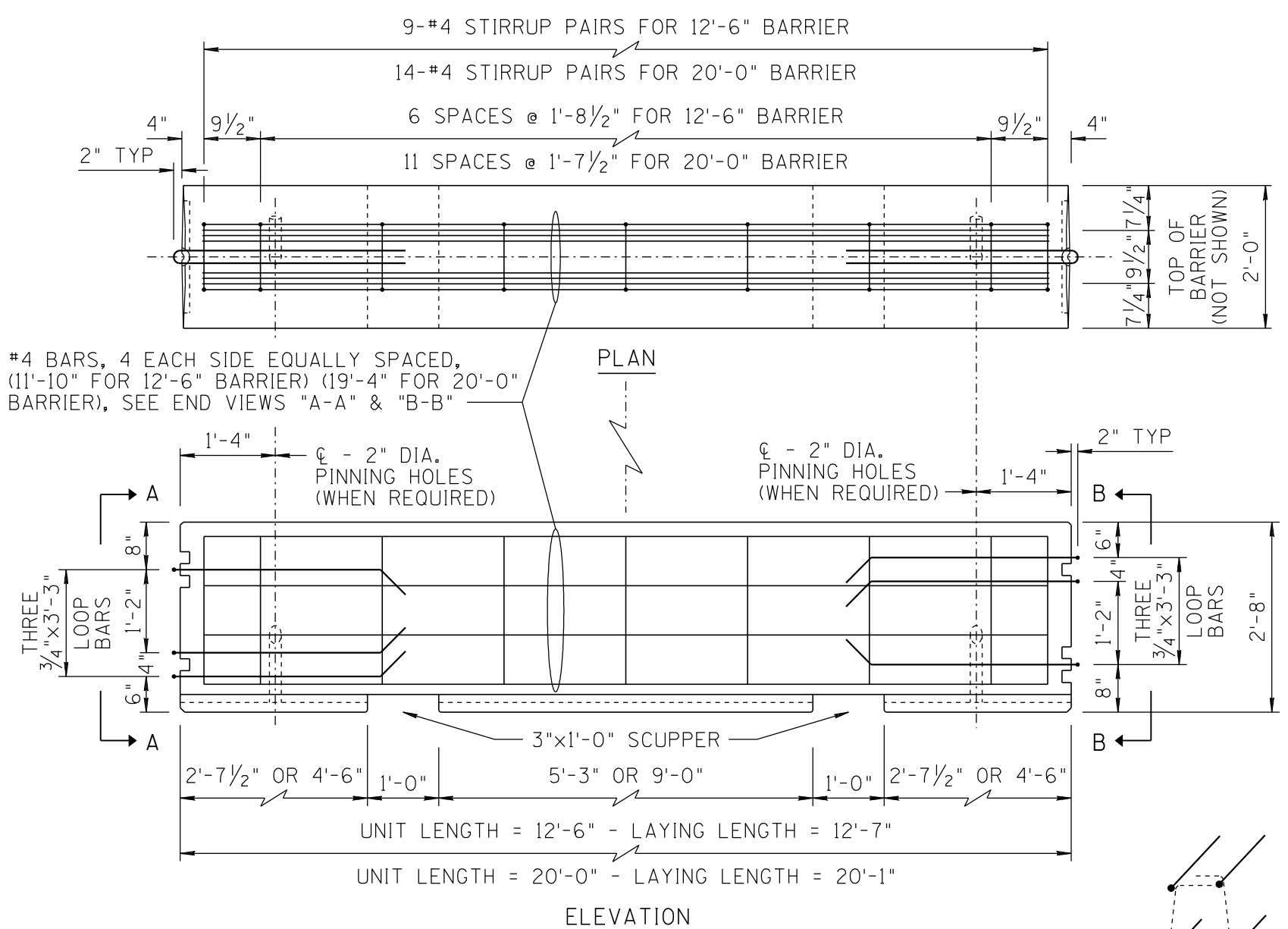
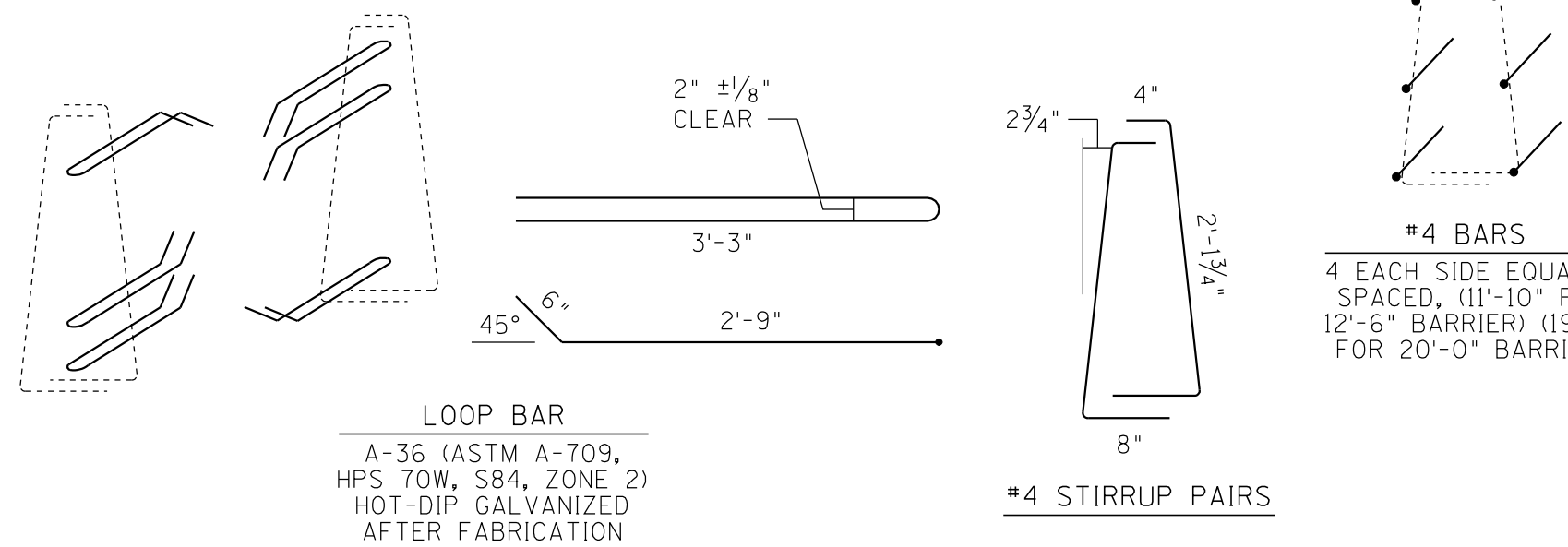
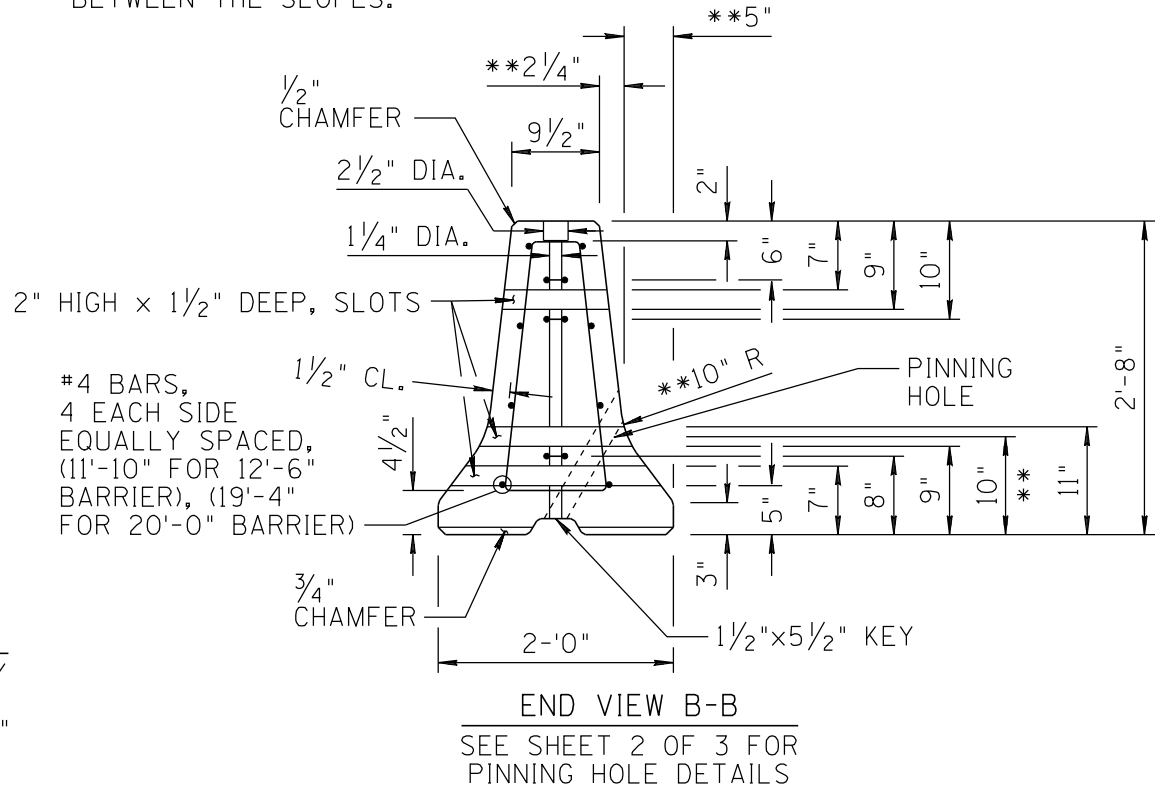


NO	DESCRIPTION OF REVISIONS	MADE BY	DATE
1	RE-ISSUE	L. LOPEZ	2/02
2	END VIEWS DIMENSION EDIT	L. LOPEZ	7/02
3	LOOP BAR AND SLOT (2") DIMENSION ADDED.	L. LOPEZ	3/03
4			



\*\* DIMENSIONS ARE TO THE INTERSECTION POINT OF THE BARRIER SLOPES. CONSTRUCT THE 10 INCH RADIUS TO PROVIDE A SMOOTH TRANSITION BETWEEN THE SLOPES.



SHEET 1 OF 3  
 NOT TO SCALE

DESIGN APPROVED	ARIZONA DEPARTMENT OF TRANSPORTATION INTERMODAL TRANSPORTATION DIVISION STANDARD DRAWINGS	REV. 3/03
APPROVED FOR DISTRIBUTION	PRECAST CONCRETE BARRIER PIN AND LOOP ASSEMBLY NCHRP 350 APPROVED DESIGN	DRAWING NO. C-3