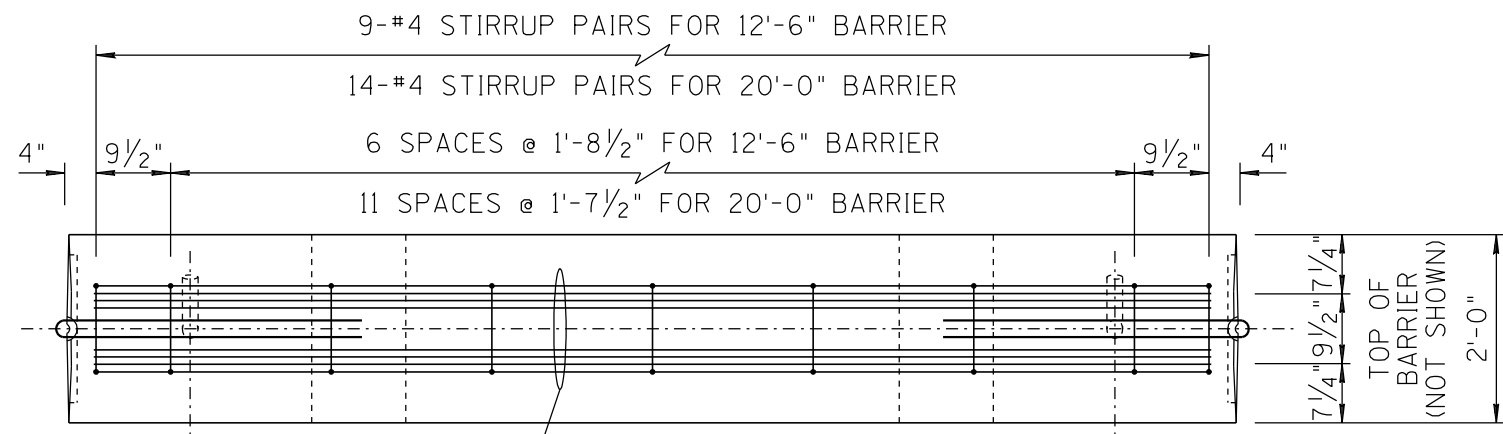
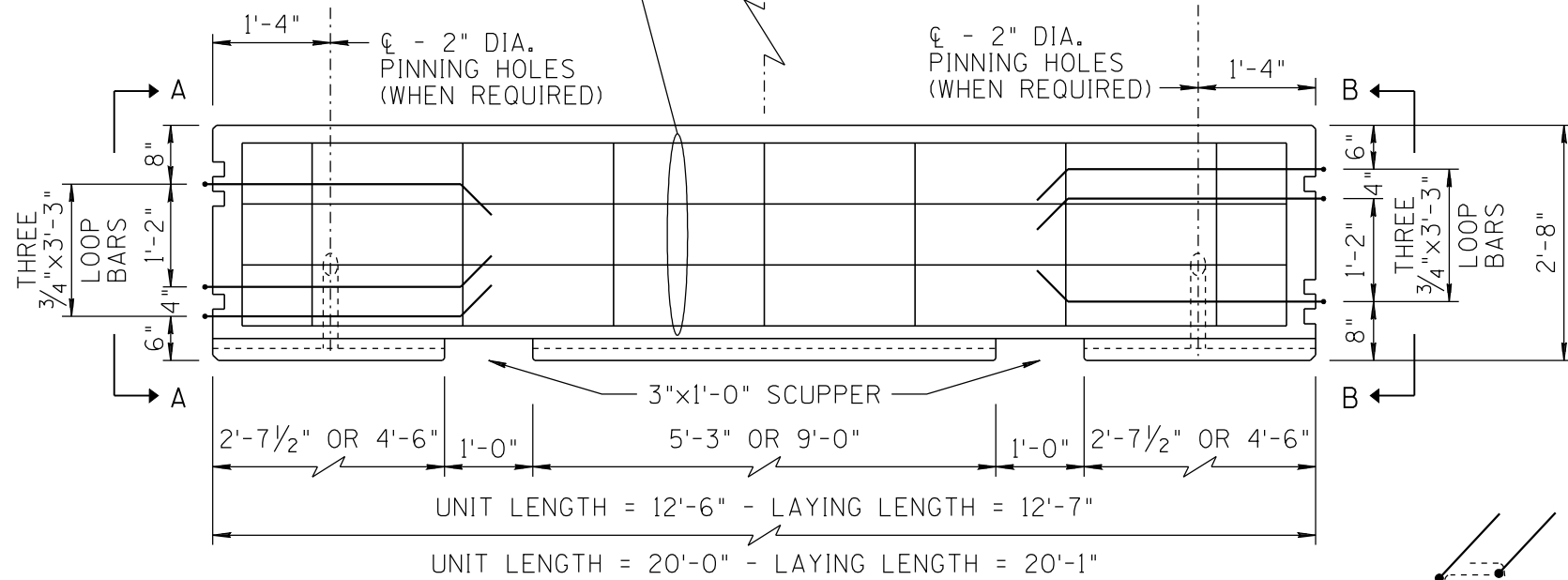


NO	DESCRIPTION OF REVISIONS	MADE BY	DATE
1	RE-ISSUE	L. LOPEZ	2/02
2	END VIEWS DIMENSION EDIT	L. LOPEZ	7/02
3			
4			

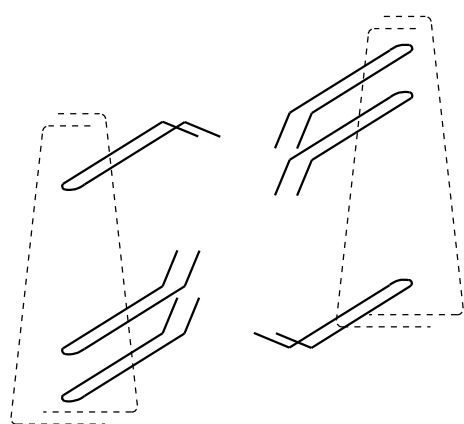


#4 BARS, 4 EACH SIDE EQUALLY SPACED, (11'-10" FOR 12'-6" BARRIER) (19'-4" FOR 20'-0" BARRIER), SEE END VIEWS "A-A" & "B-B"

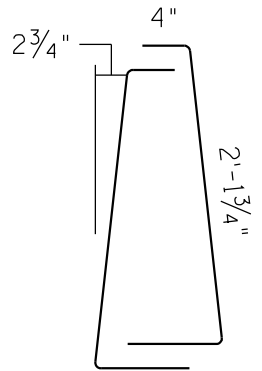
PLAN



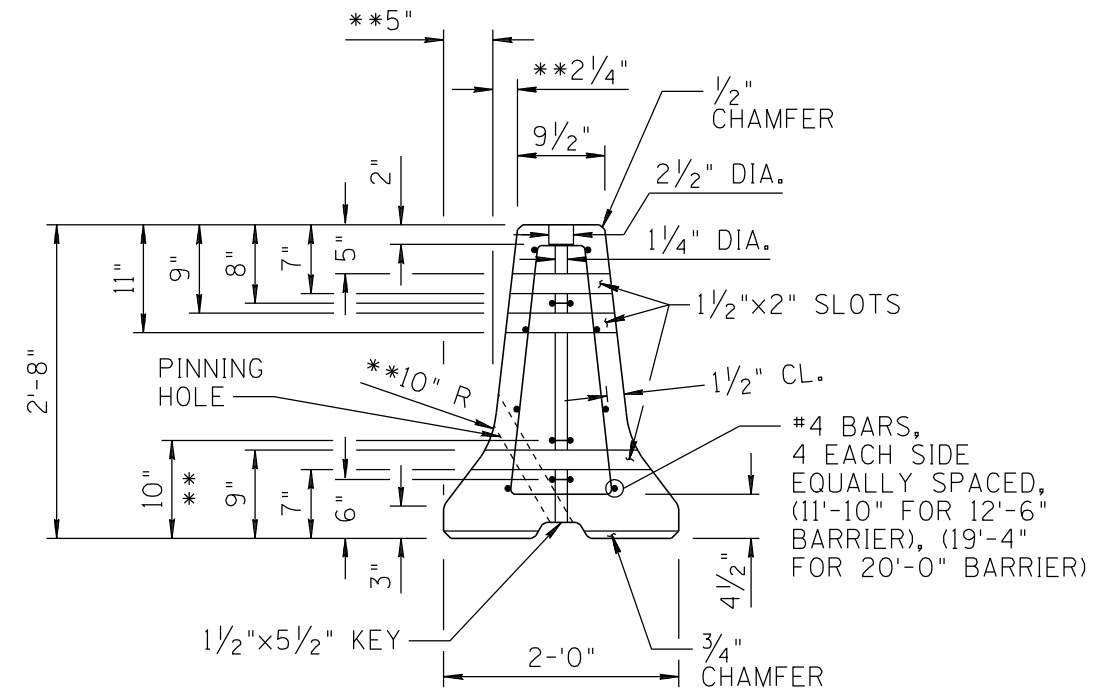
ELEVATION



LOOP BAR
A-36 (ASTM A-709, HPS 70W, S84, ZONE 2) HOT-DIP GALVANIZED AFTER FABRICATION

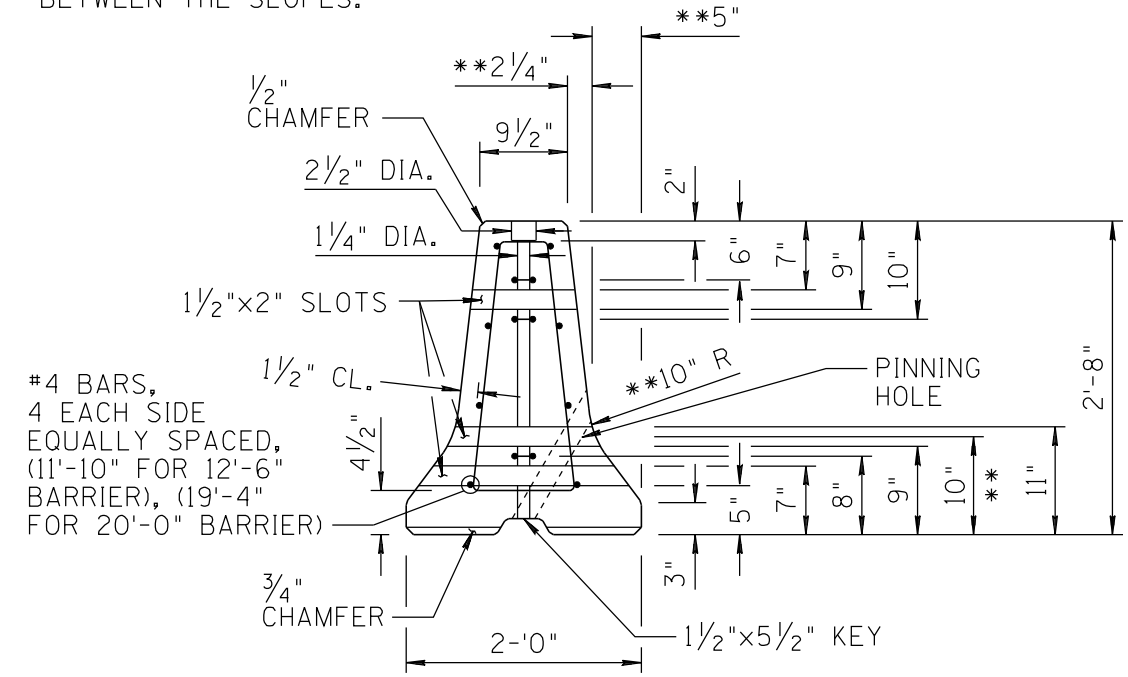


#4 STIRRUP PAIRS



END VIEW A-A
SEE SHEET 2 OF 3 FOR PINNING HOLE DETAILS

** DIMENSIONS ARE TO THE INTERSECTION POINT OF THE BARRIER SLOPES. CONSTRUCT THE 10 INCH RADIUS TO PROVIDE A SMOOTH TRANSITION BETWEEN THE SLOPES.



END VIEW B-B
SEE SHEET 2 OF 3 FOR PINNING HOLE DETAILS

SHEET 1 OF 3
NOT TO SCALE

DESIGN APPROVED APPROVED FOR DISTRIBUTION	ARIZONA DEPARTMENT OF TRANSPORTATION INTERMODAL TRANSPORTATION DIVISION STANDARD DRAWINGS	REV. 7/02
	APPROVED FOR DISTRIBUTION ARCHIVED	PRECAST CONCRETE BARRIER PIN AND LOOP ASSEMBLY NCHRP 350 APPROVED DESIGN