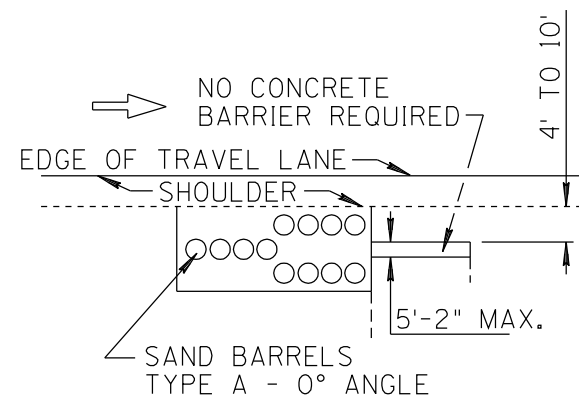
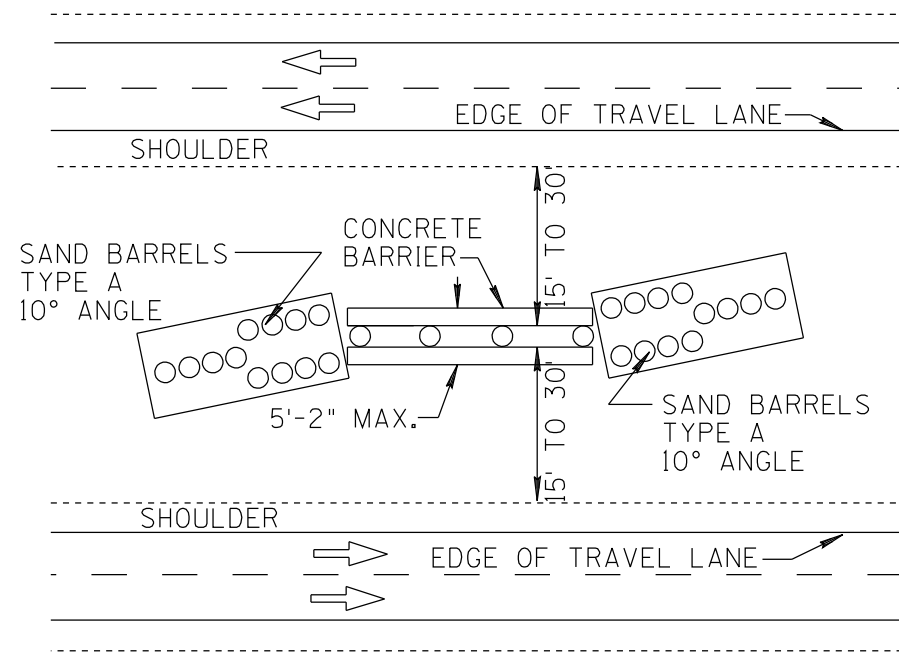


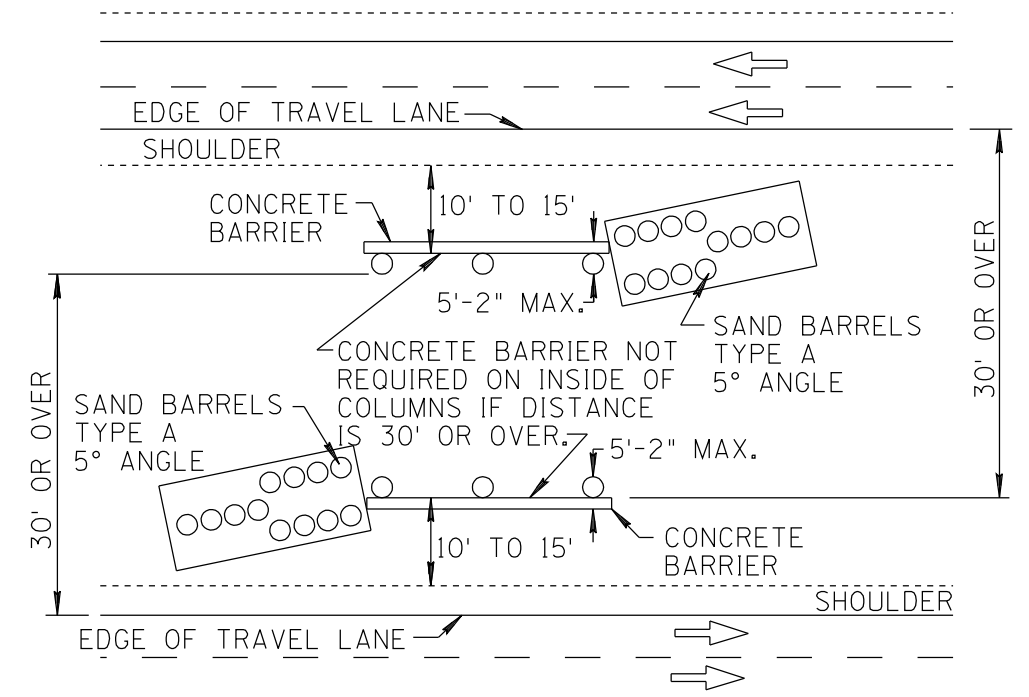
NO	DESCRIPTION OF REVISIONS	MADE BY	DATE
1	RE-ISSUE	L. LOPEZ	2/02
2			
3			
4			



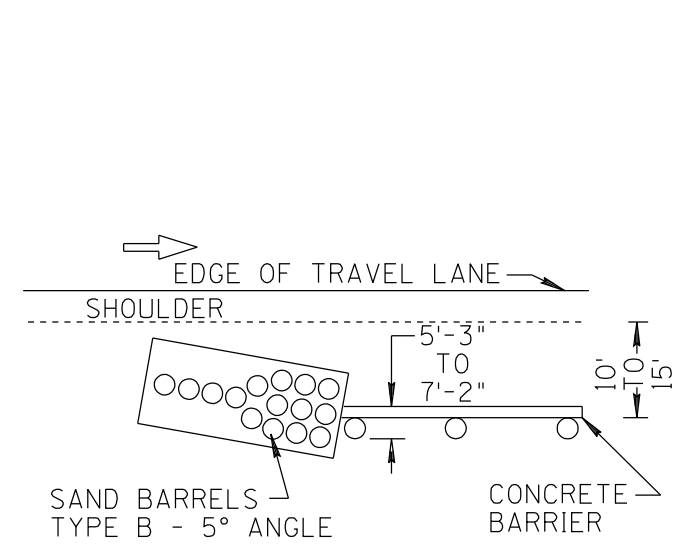
SOLID PIER OR ABUTMENT



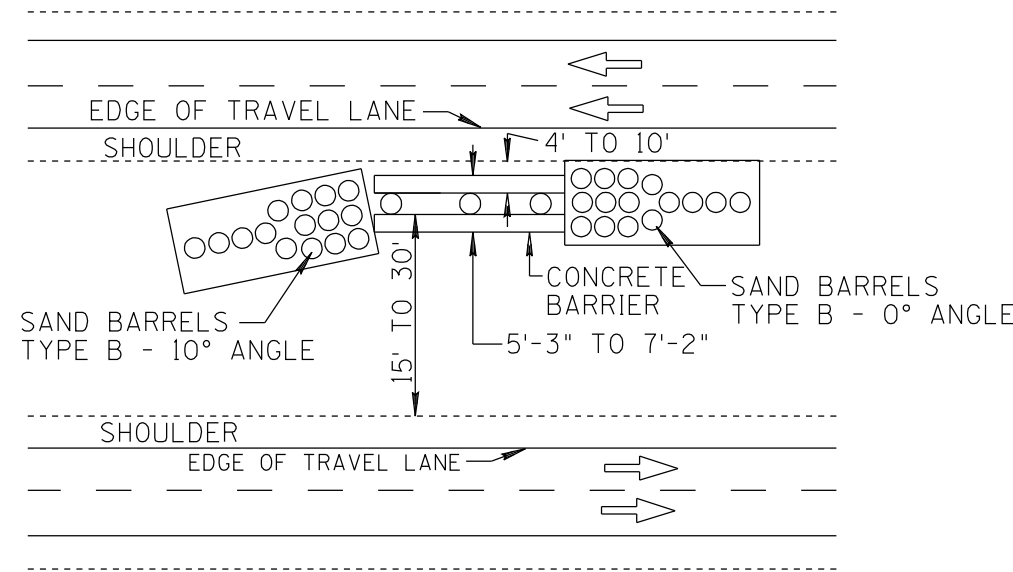
SINGLE PIER OR COLUMN



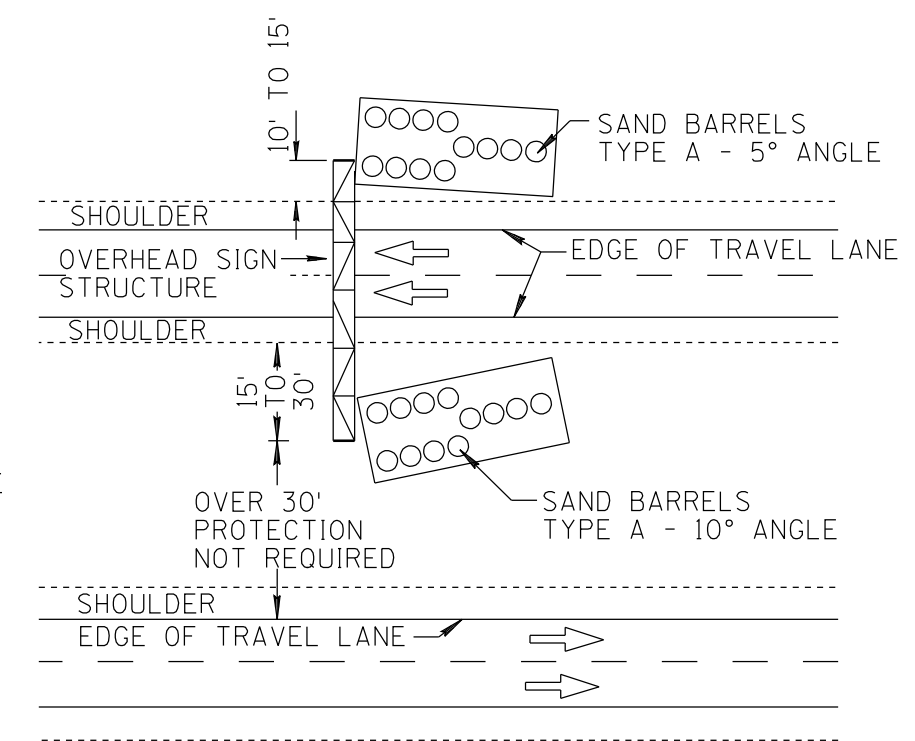
DOUBLE PIER OR COLUMN



TRAFFIC ON ONE SIDE ONLY



OFFSET SINGLE PIER OR COLUMN



OVERHEAD SIGN STRUCTURE

TYPICAL INSTALLATIONS

NOTE:
ALL DIMENSIONS ARE IN INCHES, EXCEPT AS NOTED.

NOT TO SCALE

DESIGN APPROVED APPROVED FOR DISTRIBUTION	ARIZONA DEPARTMENT OF TRANSPORTATION INTERMODAL TRANSPORTATION DIVISION STANDARD DRAWINGS	REV. 2/02
	SAND BARREL CRASH CUSHION TYPICAL INSTALLATION	DRAWING NO. C-2