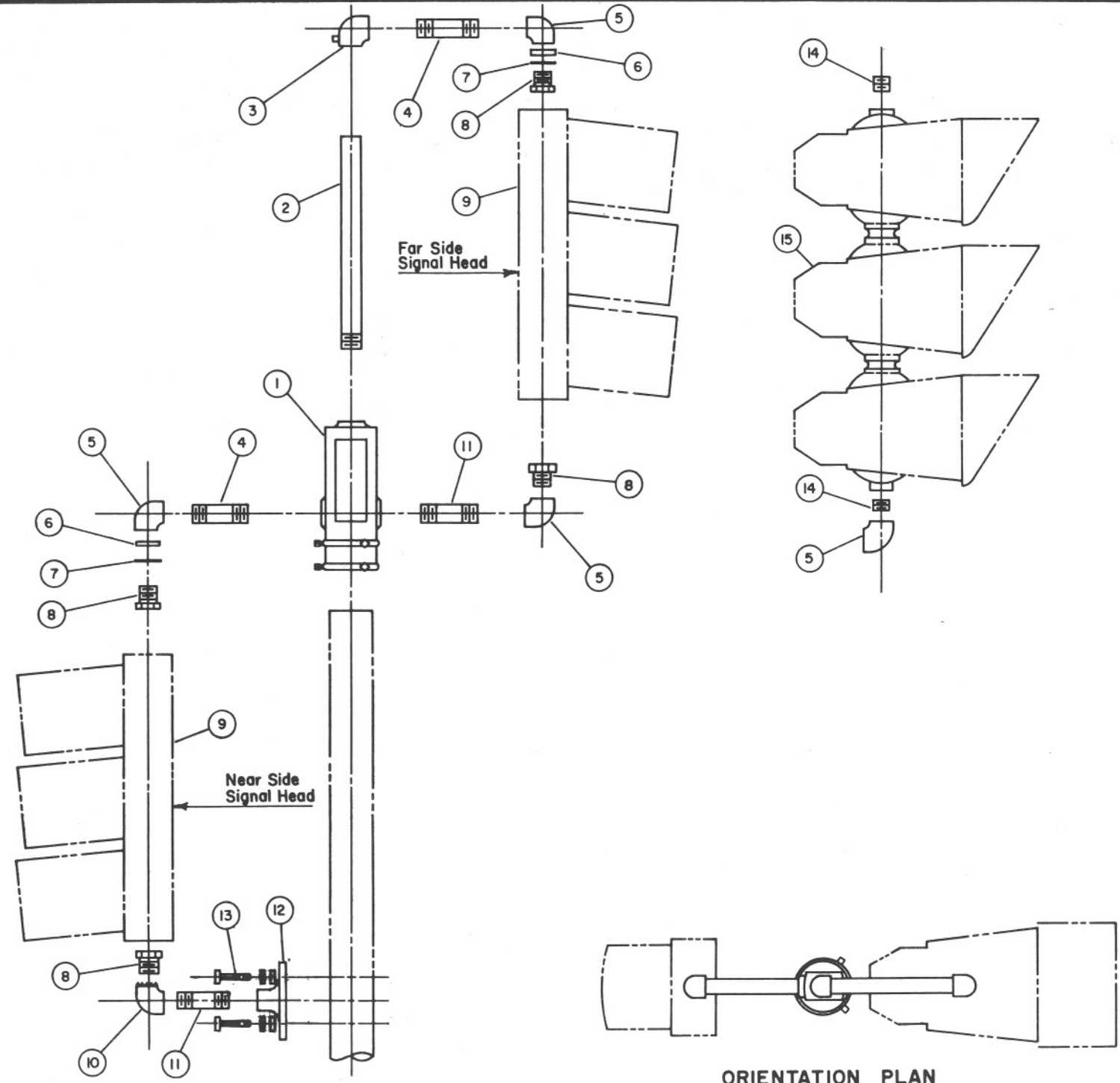


LIST OF MATERIALS		
Itm.	Qu.	Description
1	1	Pole Top Mounted Terminal Compartment (T.S. 10-4-2)
2	1	Center Pipe, 1 1/2" x 38" Threaded One End
3	1	Elbow, 1 1/2", 90°, Reamed, Drilled, & Tapped For Screw
4	2	Nipple, 1 1/2" x 14 1/2"
5	2	Elbow, 1 1/2", 90° (3 required when Optical Signal is used)
6	2	Flat Washer*
7	2	Neoprene Washer*
8	4	Lock Nipple, 1 1/2", See Note No. 1*
9	2	Signal head, see plans
10	2	Elbow, 1 1/2", 90°, With Locking Device*
11	2	Nipple, 1 1/2" x 14"
12	1	Pole Plate (T.S. 10-3-2)
13	2	1/2" x 2" Galvanized Steel Bolt 13-UNC With Flat Washer And Lock Washer
14	2	Close Nipple, 1 1/2" x 1 3/4"
15	1	Programmed Visibility Signal Assembly

\* This Item Is Not Required For Programmed Visibility Signal

**NOTES:**

1. Lock Nipple Length Shall Be 1 1/8" For 8" Heads And 1 3/4" For 12" Heads.



DESIGN APPROVED <i>Paul B...</i> 7/24/82	STATE OF ARIZONA DEPARTMENT OF TRANSPORTATION DIVISION OF HIGHWAYS STANDARD DRAWINGS	REV.
APPROVED FOR DISTRIBUTION <i>G. P. ...</i>	TYPE X MOUNTING ASSEMBLY	DRAWING NO. T.S. 9-8