

(ITEM 11)

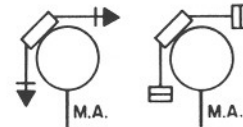
SIGNAL FACES COMBINATION	↓					
	C	J	F	M	N	G
C	ϕ	3 5/8	12 7/8	13 3/4	18 3/8	27 5/8
J	3 5/8	ϕ	8 1/4	9 1/8	13 3/4	23 *
F	12 7/8	8 1/4	ϕ	3	4 1/2	13 3/4
M	13 3/4	9 1/8	3	ϕ	3 5/8	12 7/8
N	18 3/8	13 3/4	4 1/2	3 5/8	ϕ	8 1/4
G	27 5/8	23	13 3/4	12 7/8	8 1/4	ϕ

TABLES TO BE USED FOR FINDING NIPPLE LENGTHS

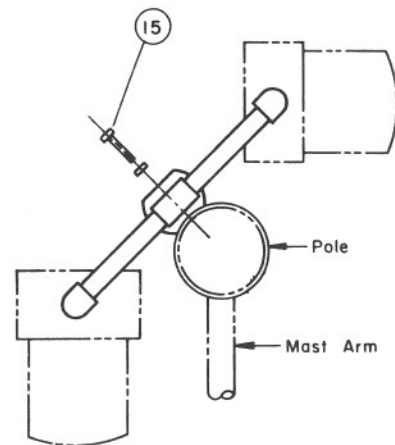
(ITEM 6)

SIGNAL FACES COMBINATION	↓					
	C	J	F	M	N	G
C	24	28 5/8	37 7/8	38 3/4	43 3/8	52 5/8
J	28 5/8	28 5/8	37 7/8	38 3/4	43 3/8	52 5/8
F	37 7/8	37 7/8	37 7/8	38 3/4	43 3/8	52 5/8
M	38 3/4	38 3/4	38 3/4	38 3/4	43 3/8	52 5/8
N	43 3/8	43 3/8	43 3/8	43 3/8	43 3/8	52 5/8
G	52 5/8	52 5/8	52 5/8	52 5/8	52 5/8	52 5/8

Threads On One End Only



PLAN SYMBOLS



MOUNTING ORIENTATION PLAN

LIST OF MATERIALS

Item	Qu.	Description
1	1	Terminal Compartment For Side Mtg. (T.S. 10-4-1)
2	2	1 1/2" Pipe Nipple, 11 1/2" Long (For Ped. Signal Heads)
3	2	90° Elbow With Locking Device (T.S. 10-1-2)
4	4	1 1/2" Lock Nipple, See Note 1
5	2	Signal Head, See Plans
6	1	Center Pipe, See Table
7	1	Tee, Drill & Tap For Setscrew
8	2	Neoprene Washer
9	2	Flat Washer
10	1	1 1/2" Pipe Coupling, As Required
11	1	1 1/2" Pipe Nipple, See Table
12	2	90° Elbow
13	2	1 1/2" Pipe Nipple, 12" Long. (For Ped. Signal Heads)
14	1	1 1/2" Pipe Nipple, 9 1/2" Long. (For Ped. Signal Heads)
15	2	1/2" x 2" Galvanized Steel Bolt 13 UNC With Flat Washer And Lock Washer.
16	2	1 1/2" Pipe Nipple, 16 1/2" Long
17	2	1 1/2" Pipe Nipple, 16" Long
18	1	Conduit Lock Nut (For 'F' & 'M' Combination)
19	1	1 1/2" Pipe Nipple, 3" Long (For 'F' & 'M' Combination Only)
20	1	Malleable Hex Nut (For 'F' & 'M' Combination Only)

NOTES:

- Lock Nipple Length Shall Be 1-1/8" For 8" Head And 1-3/4" For 12" Head.
- For Pole Drilling Detail, See T.S. 4-18.

* Special Nipple Length For Use With Ped. Signal Single Head Units Only.

DESIGN APPROVED <i>Earley Brown</i> 7/24/85	STATE OF ARIZONA DEPARTMENT OF TRANSPORTATION DIVISION OF HIGHWAYS STANDARD DRAWINGS	REV
APPROVED FOR DISTRIBUTION <i>[Signature]</i>	TYPE VII MOUNTING ASSEMBLY	DRAWING NO. T.S. 9-5